

## User's Manual

### Setup

This manual supports the following models.

**B721/B731/**

**ES7131/**

**MPS5501b**

- This manual contains cautions on how to use this product safely. Before you use this product, please make sure that you read this manual.

## ● About the Product Warranty

Every effort has been made to ensure that the information in this document is complete, accurate, and up-to-date. The manufacturer assumes no responsibility for the results of errors beyond its control. The manufacturer also cannot guarantee that changes in software and equipment made by other manufacturers and referred to in this guide will not affect the applicability of the information in it. Mention of software products manufactured by other companies does not necessarily constitute endorsement by the manufacturer.

While all reasonable efforts have been made to make this document as accurate and helpful as possible, we make no warranty of any kind, expressed or implied, as to the accuracy or completeness of the information contained herein.

All rights are reserved by Oki Data Corporation. You must not copy, transfer, translate, etc. the content herein without authorization. You must obtain written permission from Oki Data Corporation before doing any of the above.

© 2013 Oki Data Corporation

OKI is a registered trademark of Oki Electric Industry Co., Ltd.

Energy Star is a trademark of the United States Environmental Protection Agency.

Microsoft, Windows, Windows Server and Windows Vista are registered trademarks of Microsoft Corporation.

Apple, Macintosh, Rosetta, Mac and Mac OS are registered trademarks of Apple Inc.

Other product names and brand names are registered trademarks or trademarks of their proprietors.



As an Energy Star Program Participant, the manufacturer has determined that this product meets the Energy Star guidelines for energy efficiency.



This product complies with the requirements of the Council Directives 2004/ 108/EC (EMC), 2006/95/EC (LVD), 1999/5/EC (R&TTE), 2009/125/EC (ErP) and 2011/65/EU (RoHS), as amended where applicable, on the approximation of the laws of the member states relating to Electromagnetic Compatibility, Low Voltage, Radio & Telecommunications Terminal Equipment, Energy related Products and Restriction on the use of certain Hazardous Substances in electrical and electronic equipment.

The following cables were used to evaluate this product to achieve EMC directive 2004/108/EC compliance and configurations other than this may affect that compliance.

<b>cable type</b>	<b>length (meters)</b>	<b>core</b>	<b>shield</b>
Power	1.8	x	x
USB	5.0	x	✓
LAN	15.0	x	x
Parallel	2.0	x	✓



iPad, iPhone, iPod, and iPod touch are trademarks of Apple Inc., registered in the U.S. and other countries. AirPrint and the AirPrint logo are trademarks of Apple Inc.

## ● Emergency first aid

---

Take care with toner powder:



**If swallowed, give small amounts of cold water and seek medical attention. DO NOT attempt to induce vomiting.**

**If inhaled, move the person to an open area for fresh air. Seek medical attention.**

**If it gets into the eyes, flush with large amounts of water for at least 15 minutes keeping eyelids open. Seek medical attention.**

**Spillages should be treated with cold water and soap to help reduce risk of staining skin or clothing.**

## ● Manufacturer

---

Oki Data Corporation,  
4-11-22 Shibaura, Minato-ku,  
Tokyo 108-8551,  
Japan

For all sales, support and general enquiries contact your local distributor.

## ● Importer to the EU/Authorized representative

---

OKI Europe Limited (trading as OKI Printing Solutions)

Blays House  
Wick Road  
Egham  
Surrey, TW20 0HJ  
United Kingdom

For all sales, support and general enquiries contact your local distributor.

## ● Environmental information



---






















# ● For Your Safety

Read the User's Manual for your safety before using the product.

## Cautions related to safety

-  **WARNING** A warning provides additional information which, if ignored, may result in a risk of personal injury.
-  **CAUTION** A caution provides additional information which, if ignored, may result in equipment malfunction or damage.

## General cautions

 <b>WARNING</b>		
 Do not touch the safety switch inside the printer. Doing so may cause electric shock when high voltage occurs. In addition, the rotating gears may result in injury.	 Do not use highly flammable sprays near the printer. Doing so may cause fire as parts of the printer are hot.	 Unplug the power cord and contact a customer service center if the cover is unusually hot, smoking, giving off an unusual odor, or making strange noises. Failure to do so may lead to a fire.
 Unplug the power cord and contact a customer service center if a liquid such as water enters in the internal parts of the printer. Failure to do so may lead to a fire.	 Unplug the power cord and remove foreign materials such as paper clips if they fall inside the printer. Failure to do so may cause electric shock and/or fire, leading to injuries.	 Do not operate and/or disassemble the printer other than as directed in User's Manual. Doing so may cause electric shock and/or fire, leading to injuries.
 Unplug the power cord and contact a customer service center if the printer is dropped or the cover is damaged. Failure to do so may cause electric shock and/or fire, leading to injuries.	 Unplug the power cord periodically to clean plug blades and base section between the blades. If the power plug remains inserted for a long time, the base section will get dusty, and the plug may short circuit, which may cause fire.	 Do not clean spilled toner with a vacuum cleaner. If cleaning spilled toner with a vacuum cleaner, it may catch fire due to the sparks from electric contact. Toner spilled on the floor should be wiped off with wet cloth.
 Do not insert materials in a vent hole. Doing so may cause electric shock and/or fire leading to personal injuries.	 Do not put a cup with liquids such as water on the printer. Doing so may cause electric shock and/or fire leading to personal injuries.	 Do not touch the fuser and other parts when opening the cover of the printer. Doing so may cause burns.
 Do not throw toner cartridges and image drum cartridges into fire. Doing so may cause dust explosion leading to burns.	 Do not use a power cord, a cable, or a ground wire other than those that are indicated in User's Manual. Doing so may cause fire.	 The operation of using UPS (uninterruptible power source) or inverters is not guaranteed. Do not use uninterruptible power source or inverters. Doing so may cause fire.
 <b>CAUTION</b>		
 Do not come closer to the paper's exit area when the power is turned on, while printing. Doing so may result in personal injury.	 Do not touch a damaged liquid-crystal display. If liquid (liquid crystal) leaked from the liquid-crystal display gets into the eyes or mouth, flush with large amount of water. Follow the direction from a doctor if necessary.	

## ● Manual Composition

The following manuals are included with this product.

- User's Manual (Setup) ---- This document  
Basic operations are described to aid understanding of this printer. The initial setup descriptions including printer placement and the network initial setting are noted along with troubleshooting and maintenance procedures.
- User's Manual (Advanced)  
The advanced manual describes the advanced operations of each function. The utility and network setting information is included.

## ● About This Manual

### Terms in this document

The following terms are used in this manual.



- Indicates important information on operations. Make sure to read sections with this mark.



- Indicates additional information on operations. You should read sections with this mark.



- Indicates where to look when you want to know more detailed or related information.

#### **WARNING**

- A warning provides additional information which, if ignored, may result in a risk of personal injury.

#### **CAUTION**

- A caution provides additional information which, if ignored, may result in equipment malfunction or damage.

### Symbols in this document

The following symbols are used in this manual.

Symbols	Description
[ ]	<ul style="list-style-type: none"><li>● Indicates menu names on the display screen.</li><li>● Indicates menu, window, and dialog names on the computer.</li></ul>
" "	<ul style="list-style-type: none"><li>● Indicates messages and input text on the display screen.</li><li>● Indicates file names on the computer.</li><li>● Indicates reference titles.</li></ul>
< > button/key	Indicates a hardware button on the operator panel or a key on the keyboard of the computer.
>	Indicates how to get to the item you want in the menu of this printer or the computer.
<i>Your Printer</i>	Indicates a printer you want to use or select.

## Notation used in this manual

If there is no special description, Windows 7 is used as Windows, Mac OS X 10.8 is used as Mac OS X, and B731 is used as the printer for examples in this document.

Depending on your OS or model, the description on this document may be different.

# Contents

---

About the Product Warranty .....	2
Emergency first aid .....	3
Manufacturer.....	3
Importer to the EU/Authorized representative .....	3
Environmental information .....	3
For Your Safety .....	4
Manual Composition .....	5
About This Manual.....	5
<b>1. Setup .....</b>	<b>10</b>
Checking Products.....	10
Checking Package Contents.....	10
Names of Components.....	11
Operator Panel .....	13
Installation Conditions .....	15
Placement Environment .....	15
Placement Space .....	15
Unpacking.....	16
About the Options .....	18
Available Options .....	18
Attaching a Printer Stand.....	18
Installing an Additional Tray Unit.....	22
Installing Additional RAM .....	23
Installing a Hard Disk .....	26
<b>2. Printing Basic Operation .....</b>	<b>28</b>
Turning On/Off the Power .....	28
Power Supply Conditions.....	28
Turning On the Power.....	28
Turning Off the Power.....	29
Power Save Mode and Sleep Mode.....	29
Loading Paper.....	31
Loading Paper in Trays 1–4 .....	31
Loading Paper in the MP Tray.....	32
Registering Custom Sizes.....	35
Paper Output.....	37

Supported Paper ..... 38

    Supported Paper Types ..... 38

    Paper Loaded on the Tray ..... 40

    Storing Paper ..... 42

Test Printing from the Printer ..... 43

Setting the Time that Elapses Before Entering the Power Save Mode ..... 44

Setting the Time that Elapses Before Entering the Sleep Mode ..... 45

    Constraints in Sleep Mode ..... 46

Setting the Auto Power Off Time ..... 48

    Settings for Auto Power Off ..... 48

    Setting the Time that Elapses Before Entering the Auto Power Off Mode ..... 49

Setting the Buzzer ..... 50

Checking the Printer’s Status ..... 51

Adding a Printer With the LPD Protocol (TCP/IP) ..... 52

    Preparations ..... 52

    Procedures for Adding a Printer ..... 52

**3. Printing ..... 54**

Flow of Installing the Printer Driver on a Computer ..... 54

Product Requirements ..... 56

    Product Requirements for Windows ..... 56

    Product Requirements for Macintosh ..... 56

Connecting to a Computer ..... 57

    Connecting Using Wired LAN ..... 57

    Connecting Using Wireless LAN (Wireless Model Only) ..... 57

    Connecting a USB Cable ..... 67

    Connecting a Parallel Cable ..... 67

Installing a Printer Driver (for Windows) ..... 68

    Preparations for Network Connection ..... 68

    Installing a Printer Driver ..... 70

    When Options Are Added ..... 72

Installing a Printer Driver (for Macintosh) ..... 74

    Setup via a Network ..... 74

    Setup via USB ..... 75

    When Options Are Added ..... 76

Printing from a Computer ..... 77

    Printing ..... 77

Printing Data on a USB Memory Device ..... 80

    Printing ..... 80

Print Setting.....	80
Canceling Printing .....	82
Convenient Print Functions .....	83
<b>4. Troubleshooting.....</b>	<b>84</b>
When an Error Message is Displayed on the Display Screen .....	84
Paper Jam.....	84
When the Message for Replacement of Consumables or Maintenance Unit is Displayed.....	97
When the Message for Paper Replacement or Paper Size Error is Displayed ...	102
Other Error Messages .....	104
When You Cannot Print .....	108
When You Cannot Print from the MP Tray .....	108
Unable to Print from a Computer.....	109
Unable to Install a Printer Driver Successfully .....	111
OS-Specific Constraints .....	112
Image Quality Issues.....	114
Feeding Issues.....	117
Machine Issues .....	119
<b>5. Maintenance .....</b>	<b>121</b>
Replacing Print Cartridges .....	122
If the B721/B731 is Used.....	122
Replacing Toner Cartridge or Image Drum .....	124
If the ES7131/MPS5501b is used .....	124
Replacing the Fuser Unit and Transfer Roller .....	130
Cleaning .....	134
Cleaning the Surface of the Printer.....	134
Cleaning LED Heads .....	134
Cleaning Paper Feed Rollers.....	136
Moving or Transporting Your Printer .....	140
<b>Appendix .....</b>	<b>143</b>
Menu List.....	143
Basic Steps in Windows .....	148
Specifications .....	149
<b>Index .....</b>	<b>153</b>
<b>Oki contact details.....</b>	<b>155</b>

# 1. Setup

## ● Checking Products

This section gives an overview of the printer.

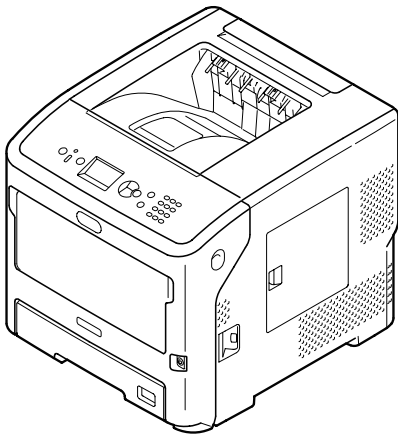
### Checking Package Contents

Check that you have everything shown below.

⚠ CAUTION	<b>It may cause injury!</b>	⚠
<ul style="list-style-type: none"> <li>At least two people are needed to lift the printer safely because it weighs about 27 Kg.</li> </ul>		

#### Reference

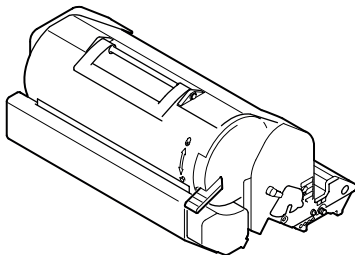
- For details on how to open the package, refer to "Unpacking" P.16.
- Printer



- Print cartridge

#### ! Note

- The print cartridge is installed in the printer before shipment.
- The print cartridge for the ES7131/MPS5501b is divided into an image drum and a toner cartridge.



- Software DVD-ROM

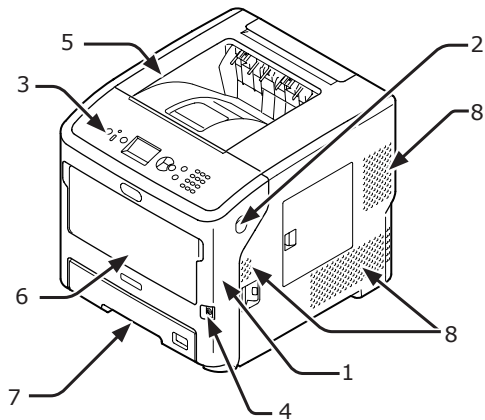


- AC cable

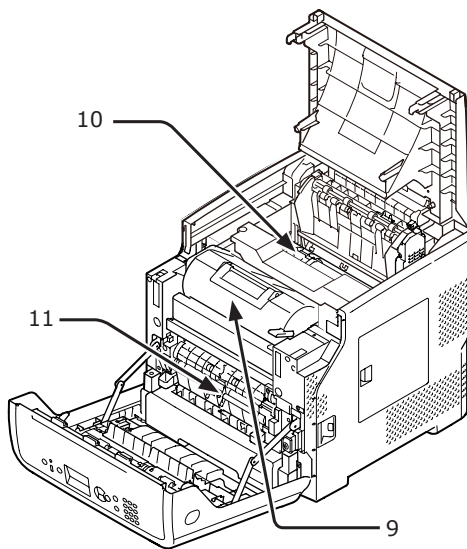
#### ! Note

- Cables connected to the interface are not supplied with your printer. Procure them separately.
- Packaging and cushioning material are needed if transporting the printer. Do not throw them away.

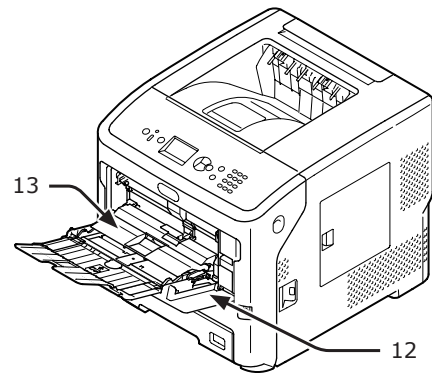
# Names of Components



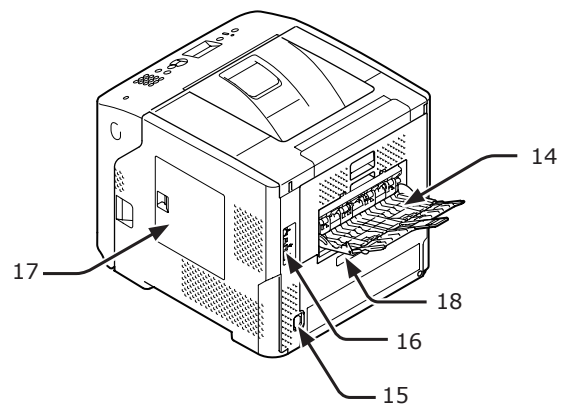
No.	Name
1	Front cover
2	Front cover open lever
3	Operator panel
4	Power switch
5	Top cover
6	MP Tray (Multipurpose tray)
7	Tray 1
8	Air vents



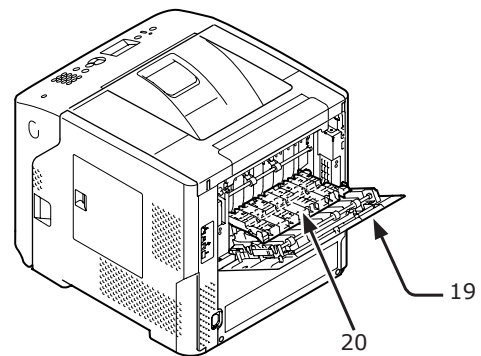
No.	Name
9	Print cartridge (B721/B731)/ Image Drum and Toner Cartridge (ES7131/MPS5501b)
10	Fuser unit
11	Duplex unit



No.	Name
12	MP Tray (Multipurpose tray)
13	Paper set cover

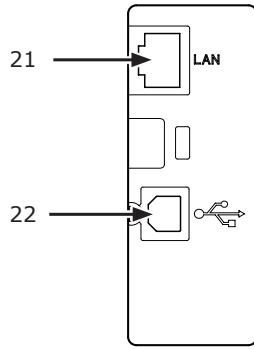


No.	Name
14	Faceup stacker
15	AC power socket
16	Interface part
17	Access cover
18	Parallel interface (Parallel installed model only)



No.	Name
19	Rear cover
20	Rear guide

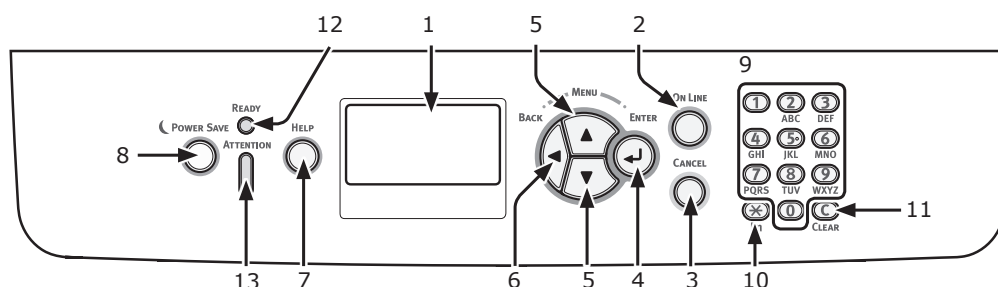
- Interface part



No.	Name
21	Network interface connection
22	USB interface connection

## Operator Panel

This section explains the names and functions of components on the operator panel and how to enter text.



No.	Name	Function
1	Display screen	Displays operating instructions and the status of the printer.
2	<ON LINE> button	Switches between on line and off line modes.
3	<CANCEL> button	Cancels the current print immediately.
4	<ENTER> button	Confirms the highlighted item.
5	<▲/▼> button	<ul style="list-style-type: none"> <li>Displays the menu screen.</li> <li>Selects the menu or scrolls the screen.</li> </ul>
6	<BACK> button	Returns to the previous screen.
7	<HELP> button	Displays the help screen. To close, press the <HELP> button, <BACK> button, or <CANCEL> button.
8	<POWER SAVE> button	<ul style="list-style-type: none"> <li>Enters or exits the power saving mode.</li> <li>Exits the sleep mode.</li> </ul> Lights up in green in power save mode and blinks in green in sleep mode.
9	Ten-key pad	<ul style="list-style-type: none"> <li>Enters numbers.</li> <li>Enters alphabetical characters and symbols.</li> </ul> A password can be entered only with the ten-key pad.
10	<Fn> key	Displays the equipment setting menu screen with a shortcut function.
11	<CLEAR> key	<ul style="list-style-type: none"> <li>Deletes a character when entering characters.</li> <li>Not available when entering an IP address. Retrieves the previous settings in other cases.</li> </ul>
12	<READY> indicator	Lights up in green in on line mode and turns off in off line mode.
13	<ATTENTION> indicator	Lights up or blinks in orange when an error occurs in the device.

### How to Use the Ten-Key Pad

Use to enter numbers and characters. Each time a numeric key is pressed, entered numbers or characters are changed cyclically in the following order:

- <1> 1
- <2> a → b → c → 2 → a
- <3> d → e → f → 3 → d
- <4> g → h → i → 4 → g
- <5> j → k → l → 5 → j
- <6> m → n → o → 6 → m
- <7> p → q → r → s → 7 → p
- <8> t → u → v → 8 → t

- <9> w → x → y → z → 9 → w
- <0> 0

The functions of the <Fn> and <CLEAR> keys are as followings:

#### <Fn> key

Displays the equipment setting menu screen with a shortcut function. (Available only when the standby screen is displayed.)

#### <CLEAR> key

Deletes a character when entering a password.

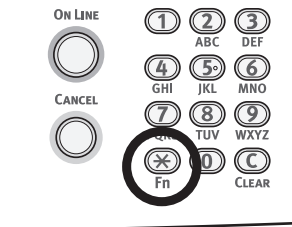


- To enter "abc" for example, press <2> → <ENTER> button → <2> → <2> → <ENTER> button → <2> → <2> → <2> → <ENTER> button.

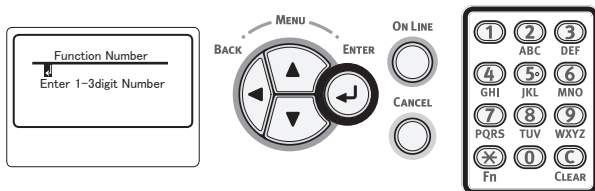
## How to Use the <Fn> Key

Press numeric keys after pressing the <Fn> key while the message "Ready To Print" is displayed on the display screen. The function menu corresponding to the number entered is displayed.

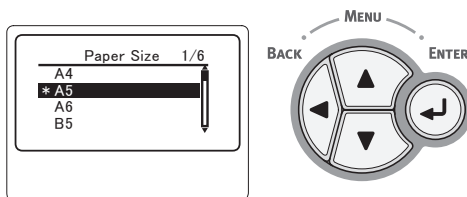
- 1 Press the <Fn> key.



- 2 Press the numeric keys (0-9) to display the desired function item and press the <ENTER> button.



- 3 The setting screen of the selected function is displayed. Check or change the settings.



For the menu items to which no Function No. is assigned, refer to "Menu List" P.143.

## Function Menu List

Function No.	Function menu
1	Print Secure Job (Encrypted Job)
2	Print Secure Job (Stored Job)
10	Paper Size (Tray 1)
11	X Dimension (Tray 1)
12	Y Dimension (Tray 1)
13	Media Type (Tray 1)
14	Media Weight (Tray 1)
15	Legal Paper (Tray 1)
16	Other Size (Tray 1)
20	Paper Size (Tray 2)

Function No.	Function menu
21	X Dimension (Tray 2)
22	Y Dimension (Tray 2)
23	Media Type (Tray 2)
24	Media Weight (Tray 2)
25	Legal Paper (Tray 2)
26	Other Size (Tray 2)
30	Paper Size (Tray 3)
31	X Dimension (Tray 3)
32	Y Dimension (Tray 3)
33	Media Type (Tray 3)
34	Media Weight (Tray 3)
35	Legal Paper (Tray 3)
36	Other Size (Tray 3)
40	Paper Size (Tray 4)
41	X Dimension (Tray 4)
42	Y Dimension (Tray 4)
43	Media Type (Tray 4)
44	Media Weight (Tray 4)
45	Legal Paper (Tray 4)
46	Other Size (Tray 4)
80	Paper Feed
90	Paper Size (MP Tray)
91	X Dimension (MP Tray)
92	Y Dimension (MP Tray)
93	Media Type (MP Tray)
94	Media Weight (MP Tray)
95	Tray Usage (MP Tray)
100	Print Information (Configuration)
101	Print Information (Network)
102	Print Information (Usage Report)
103	Print Information (Error Log)
200	Power Save Time
201	Sleep Time
202	Auto Power Off Time
210	Error Report
220	Print Position Adjust (MPTray)
221	Print Position Adjust (Tray1)
222	Print Position Adjust (Tray2)
223	Print Position Adjust (Tray3)
224	Print Position Adjust (Tray4)
230	Paper Black Setting
231	Trans. Black Setting
232	Darkness
233	SMR Setting
234	BG Setting
235	Drum Cleaning
237	Hex Dump

# ● Installation Conditions

## Placement Environment

Your printer must be placed in the following environment:

- Temperature: 10°C–32°C  
 Humidity: 20%–80% RH (relative humidity)  
 Maximum wet bulb temperature: 25°C  
 Recommended Temperature 17°C–27°C,  
 environment: Humidity 50%–70% RH

### ! Note

- Be careful of condensation. It may cause a malfunction.
- If placing your printer in a location where the humidity of the surrounding air is less than 30% RH, use a humidifier or antistatic mat.

### ⚠ WARNING

- Do not install near high temperature or the fire.
- Do not install in a place from which a chemical reaction is started (laboratory etc.).
- Do not install near the inflammable solution, such as alcohol and thinner.
- Do not install the unit within the reach of small children.
- Do not install in an unstable place (the shaky stand, leaning place, etc.).
- Do not install the unit in a place where it comes into contact with high humidity, dust, or direct sunlight.
- Do not install in an environment of briny air or corrosive gas.
- Do not install in a place with much vibration.
- Do not install in a place where the ventilation hole of the printer is closed.

### ⚠ CAUTION

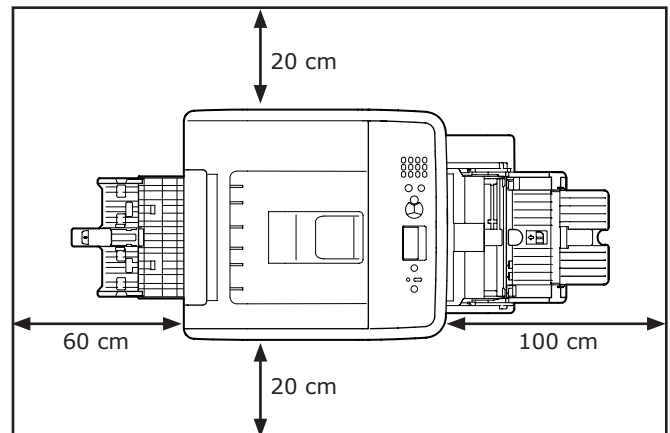
- Do not place directly on a rug or carpet with long strands.
- Do not install in a closed room with poor ventilation and circulation.
- If you use the printer in a small room for a long time, please make sure that you ventilate the room.
- Install away from strong magnetic fields and sources of noise.
- Install away from monitors or TVs.

## Placement Space

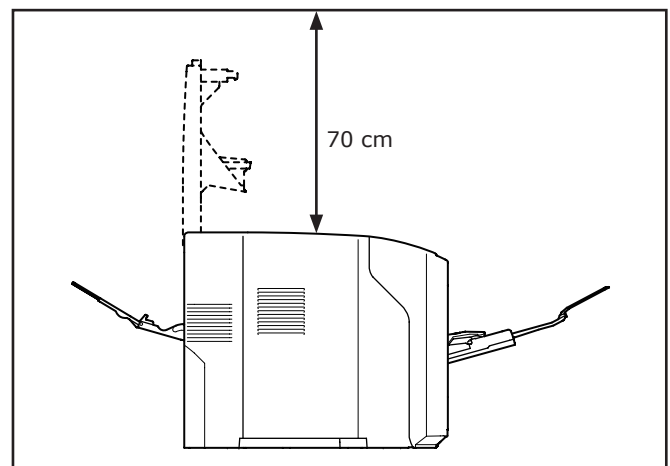
Place your printer on a flat surface large enough to support printer's all feet.

Allow for enough room around your printer as shown in the images below.

- Top view



- Side view



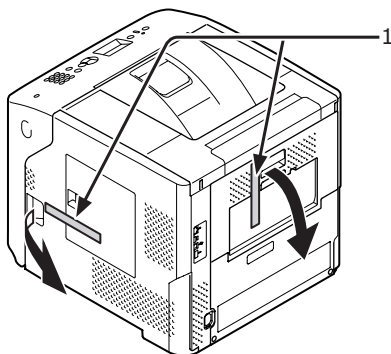
# ● Unpacking

⚠ CAUTION	<b>It may cause injury!</b>	⚠
<ul style="list-style-type: none"> <li>At least two people are needed to lift the printer safely because it weighs about 27 Kg.</li> </ul>		

**! Note**

- Be sure to use the consumables or maintenance units provided with this printer at first. Otherwise, the life of the consumables or maintenance units may not be displayed correctly, or you may not be able to use them later.
- The print cartridge (the green tube) is very delicate. Handle it carefully.
- Do not expose the print cartridge to direct sunlight or very bright interior light (approximately more than 1500 lux). Even under the normal interior light, do not leave it for more than 5 minutes.
- Packaging and cushioning material are needed if transporting the printer. Do not throw them away.

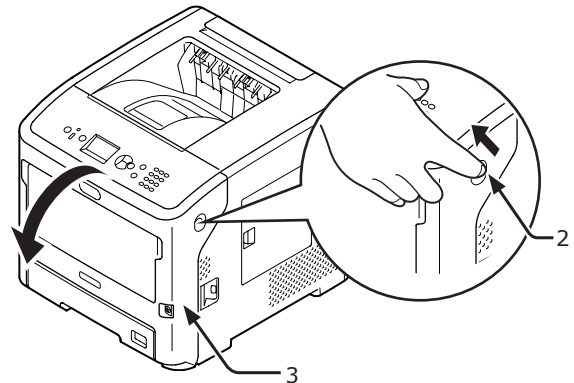
- Remove your printer from the box and remove all cushioning materials and the plastic bag from your printer.
- Remove the two strips of protective tape (1) on the right side and at the back of your printer.



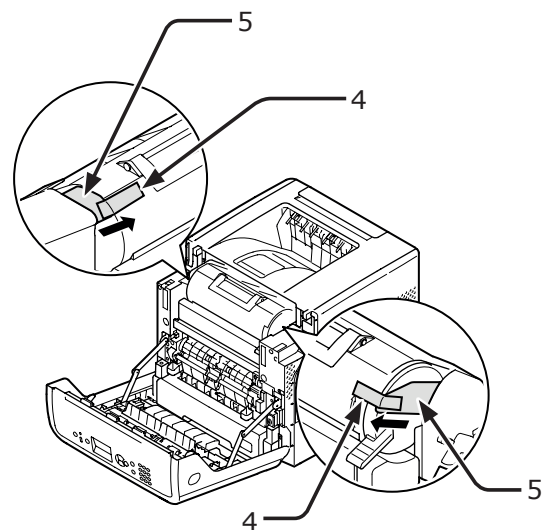
- Insert your finger into the recess on the right side of the printer and pull the front cover open lever (2) to open the front cover (3) forward.

**! Note**

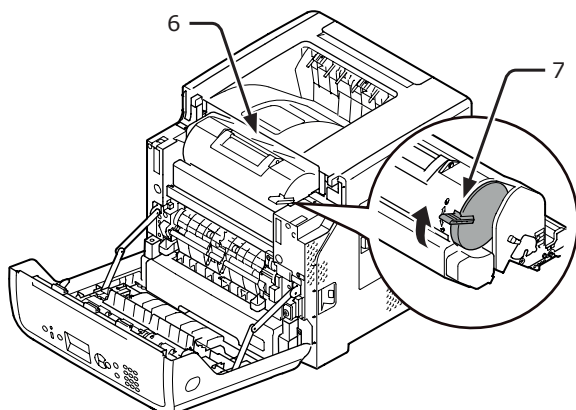
- Open the front cover gently. If you open it rapidly, the MP Tray may open.



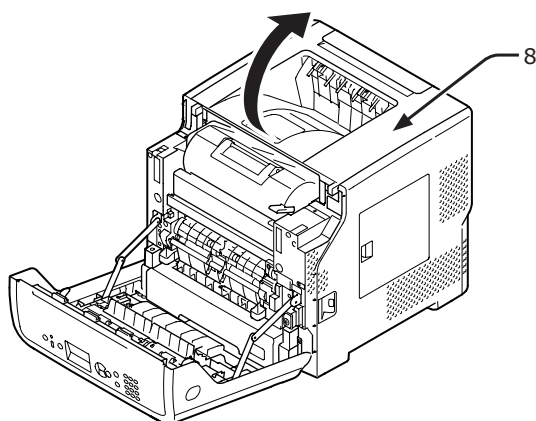
- For the ES7131/MPS5501b, remove the protective tape (4) and orange stopper (5).



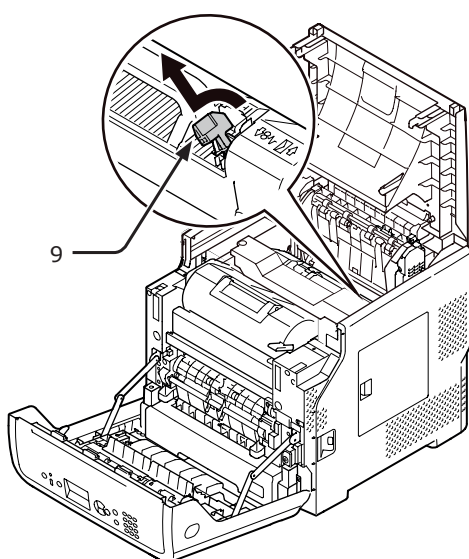
- 5** Turn the blue lever (7) of the print cartridge (6) fully in the direction of the arrow.



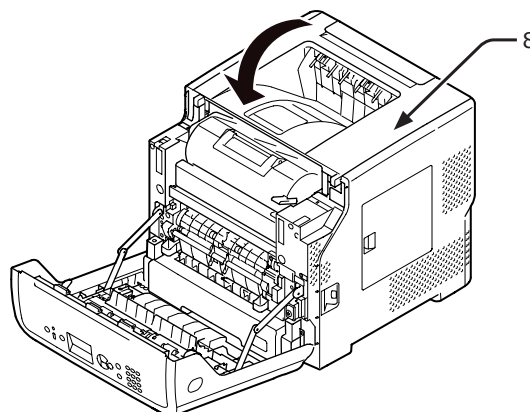
- 6** Open the top cover (8).



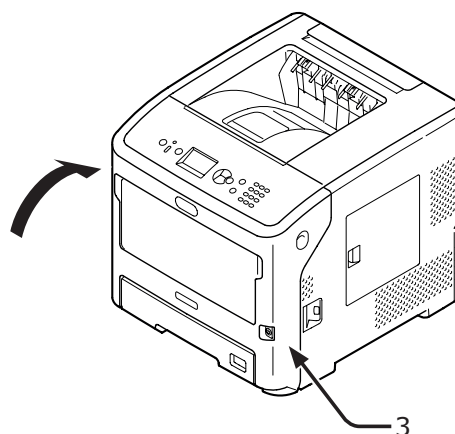
- 7** Pull out the orange stopper (9) from the fuser unit.



- 8** Close the top cover (8).



- 9** Close the front cover (3).



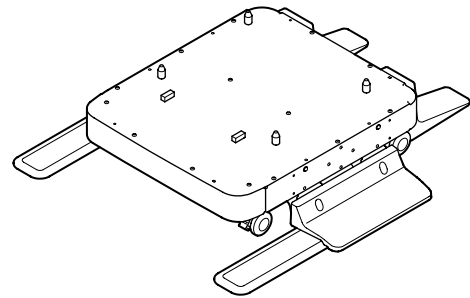
# • About the Options

## Available Options

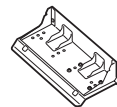
The following options are available for your printer:

- Additional tray unit (tray 2/3/4)
- Printer stand
- Additional RAM (512 MB)
- 160 GB hard disk
- Large-capacity tray unit (LCF) (For details on how to attach it, refer to the instruction manual furnished with the LCF.)
- Printer stand anti-tip foot (1 set)

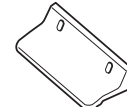
## Attaching a Printer Stand



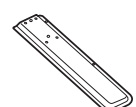
### ■ To attach a set of anti-tip feet



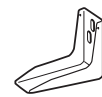
Anti-tip Foot Side (2)



Anti-tip Foot Cover (2)



Anti-tip Foot (2)



Anti-tip Foot Rear (2)



Anti-tip Foot Cover (2)

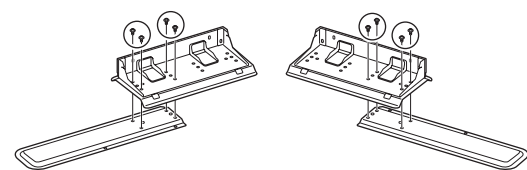


Screws (22)

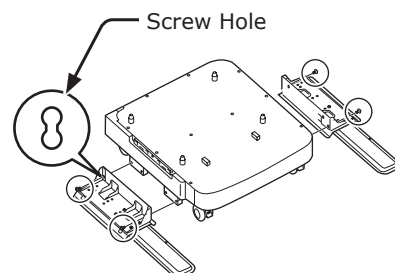
- 1 Attach the anti-tip feet (both sides and front) with four screws.

**Note**

- Attachment directions are different for the left side and the right side.

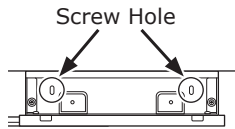


- 2 Put the bottoms of the anti-tip feet (both sides) on the floor, align the sides to the cabinet and tighten them with the two screws each.

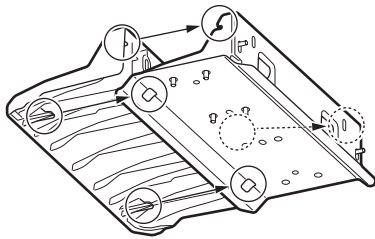
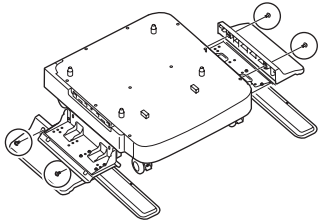


**! Note**

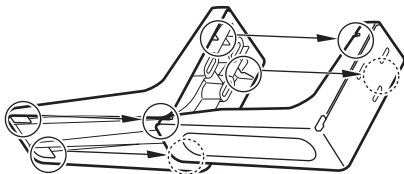
- Do not tighten the upper screws.



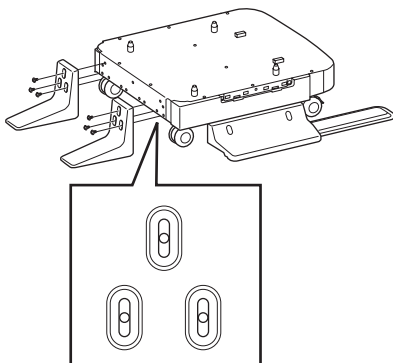
- 3** Tighten the anti-tip foot covers (both sides) and anti-tip feet with two screws each.



- 4** Align the anti-tip foot cover (rear) to the rear side of the anti-tip foot.



- 5** Put the bottoms of the anti-tip feet on the floor and tighten them with three screws.



Attach the screw in the middle of the oval cutout and tighten the screw.

**■ To attach a printer stand to the printer**

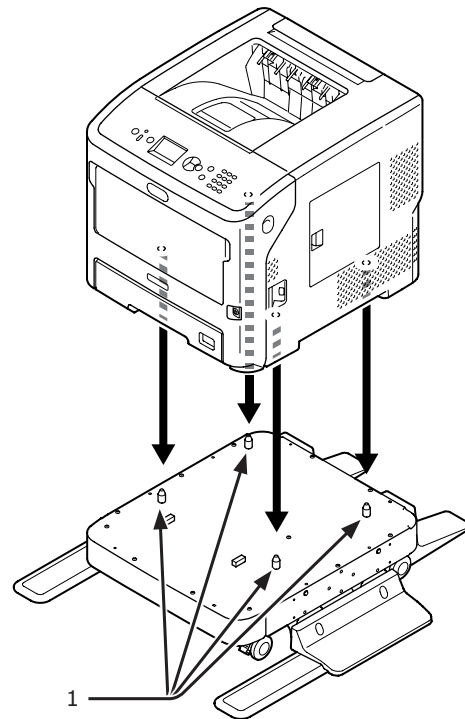
⚠ CAUTION	<b>It may cause injury!</b>	⚠
<ul style="list-style-type: none"> <li>• At least two people are needed to lift the printer safely because it weighs about 27 Kg.</li> </ul>		

- 1** Turn off your printer, then unplug all the cables from the printer.

**Reference**

- "Turning Off the Power" P.29

- 2** Gently place the printer on the printer stand, inserting the projections (1) of the printer stand into the holes on the bottom of the printer.

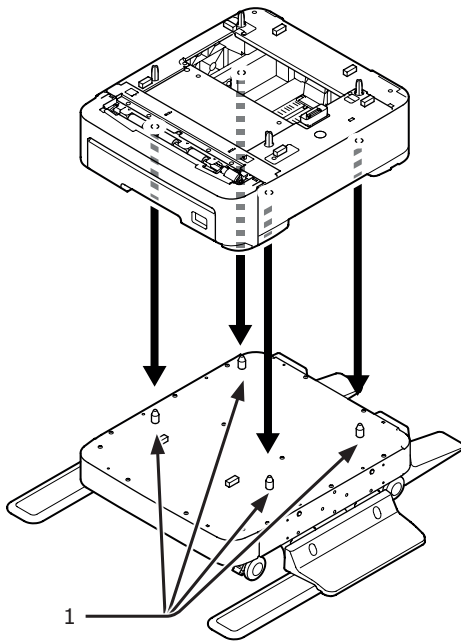


- 3** Plug the AC cable and removed cables into your printer, and then turn on the power switch.

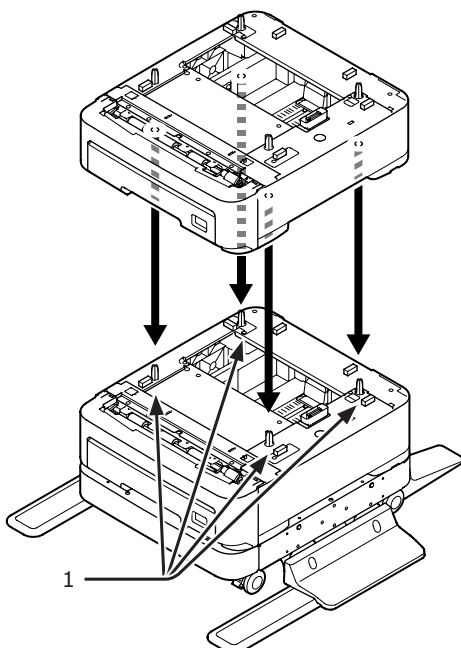
■ **To attach a printer stand to an additional tray (trays 2/3/4)**

Stack the additional trays one by one on the printer stand then place the printer on them.

- 1 Gently place the additional tray on the printer stand, inserting the four projections (1) of the printer stand into the holes on the bottom of the additional tray.

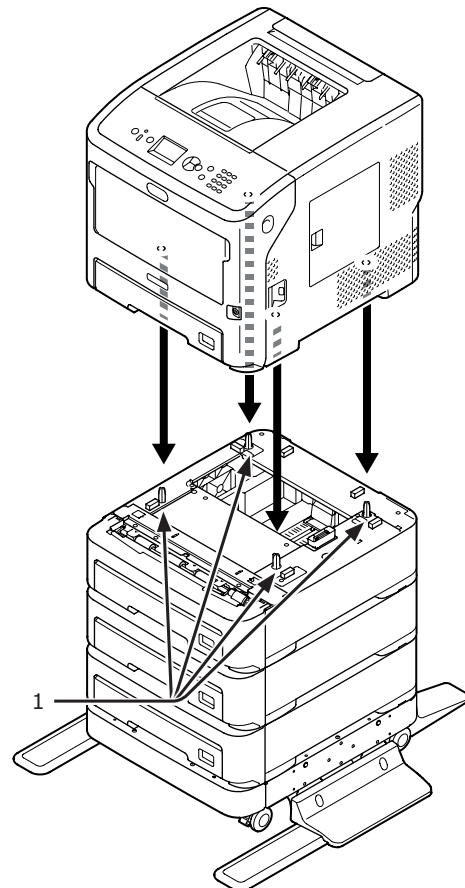


- 2 To add more additional trays, gently place them on the additional tray, inserting the projections (1) of the lower additional tray into the holes on the bottom of the upper additional tray one by one.

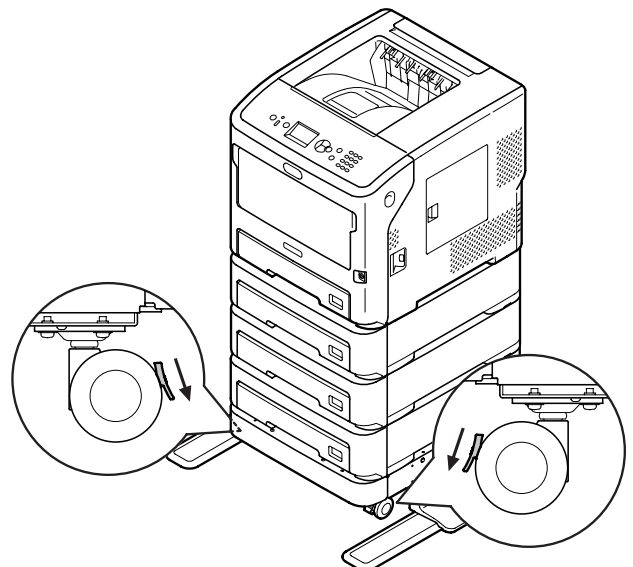


- 3 Gently place the printer on the additional trays, inserting the projections (1) of the additional tray into the holes on the bottom of the printer.

⚠ CAUTION	<b>It may cause injury!</b>	⚠
<ul style="list-style-type: none"> <li>• At least two people are needed to lift the printer safely because it weighs about 27 Kg.</li> </ul>		

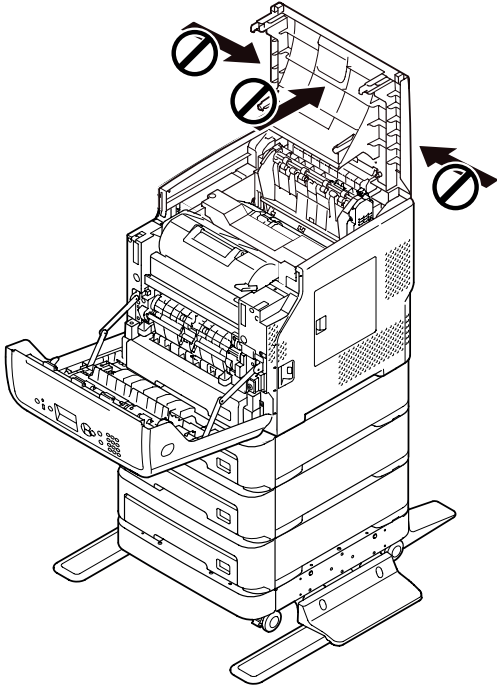


- 4 Lock the two casters on the front side of the additional trays, by pushing down their lock levers.

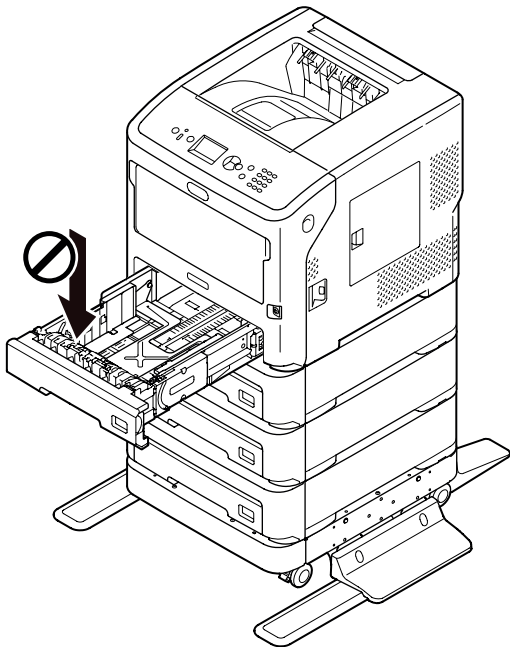


For prevention of overturning of the printer during transport or maintenance, be sure not to do the following:

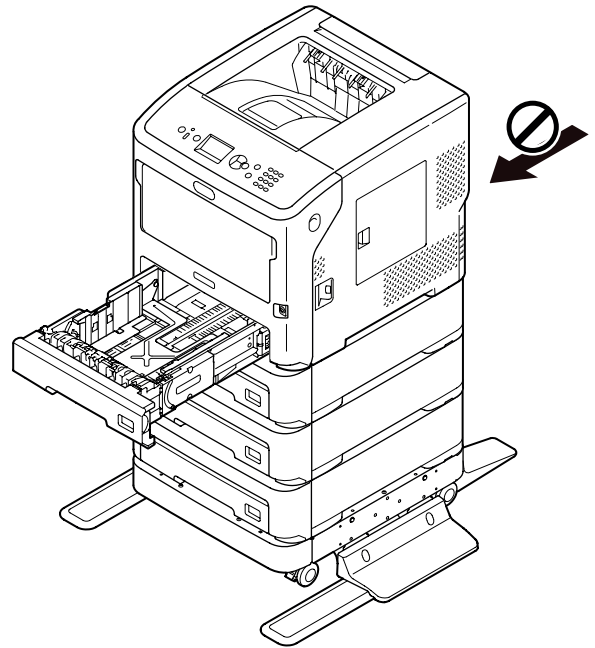
- Never push the top cover of the printer while it is open.



- Never push down the cassette while it is open.

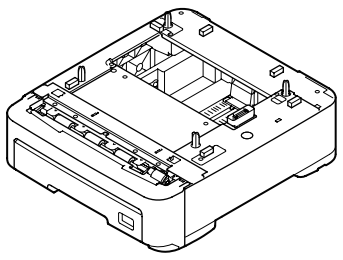


- Never push the printer from behind it while the cassette is open.



# 1 Installing an Additional Tray Unit

Setup

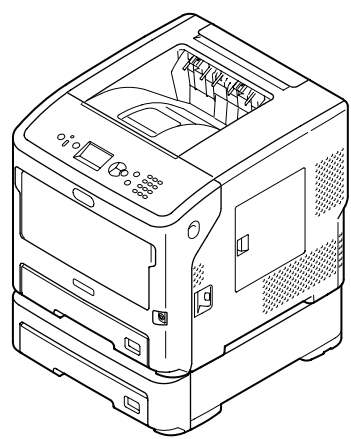


Model name: N22305A

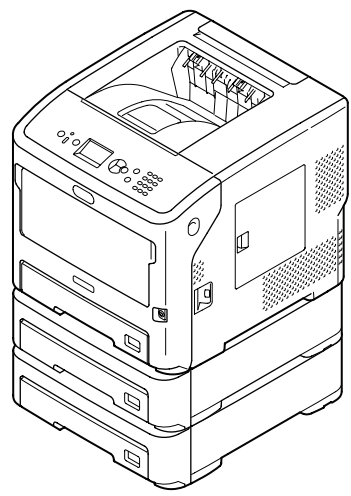
Install the optional additional tray units when you want to increase the paper capacity of your printer. The combinations of the additional tray units that can be installed are shown below.

After installation, you need to configure the printer driver settings. ["When Options Are Added" P.72](#)

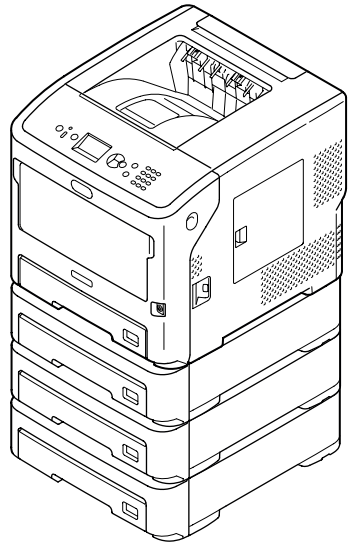
- Printer and one additional tray unit



- Printer and two additional tray units



- Printer and three additional tray units



**Reference**

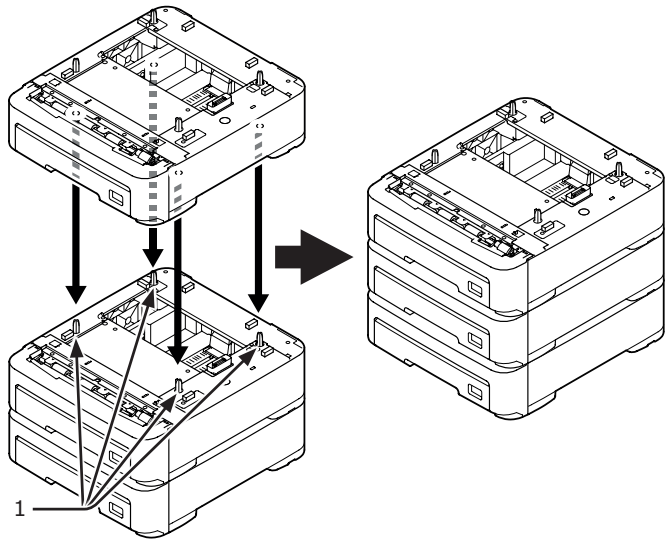
- For specifications of the additional tray unit, refer to ["Supported Paper Types" P.38.](#)

- 1 Turn off your printer, then unplug all the cables from the printer.

**Reference**

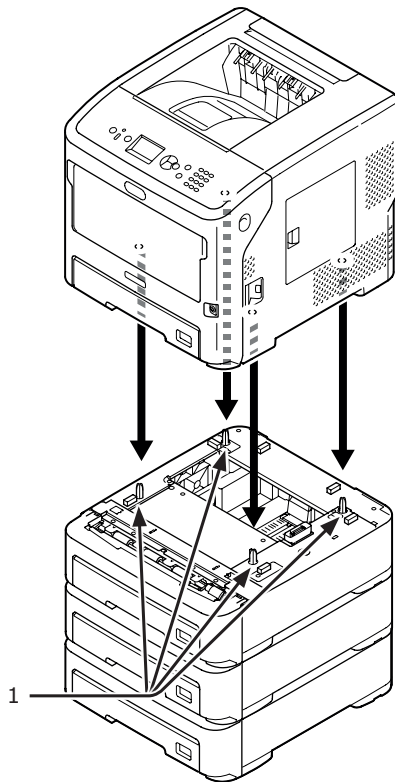
- ["Turning Off the Power" P.29](#)

- 2 Stack the additional trays, inserting the projections (1) of the lower additional tray into the holes on the bottom of the upper additional tray one by one.



- 3** Gently place the printer on the additional trays, inserting the projections (1) of the additional tray into the holes on the bottom of the printer.

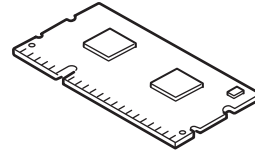
⚠ CAUTION	<b>It may cause injury!</b>	⚠
<ul style="list-style-type: none"> <li>At least two people are needed to lift the printer safely because it weighs about 27 Kg.</li> </ul>		



- 4** Plug the AC cable and removed cables into your printer, and then turn on the power switch.

## Installing Additional RAM

Install additional RAM to increase the memory capacity of your printer in cases such as if memory overflow or the collate print errors occur. Your printer supports 512 MB RAM.



### ! Note

- Use only genuine Oki Data products. The performance cannot be guaranteed when other products are used.
- The static electricity may cause damage to the parts. Discharge the static electricity in your body by touching grounded metallic parts, etc. before work.

### Memo

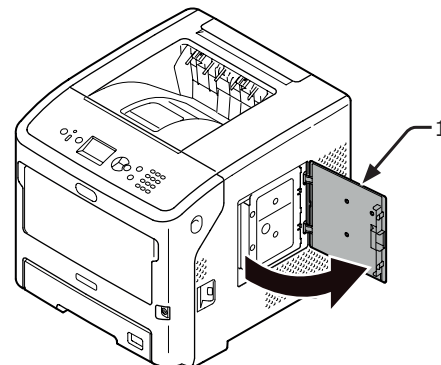
- For banner printing, installing additional memory is recommended.

- 1** Turn off your printer, and then unplug all the cables from the printer.

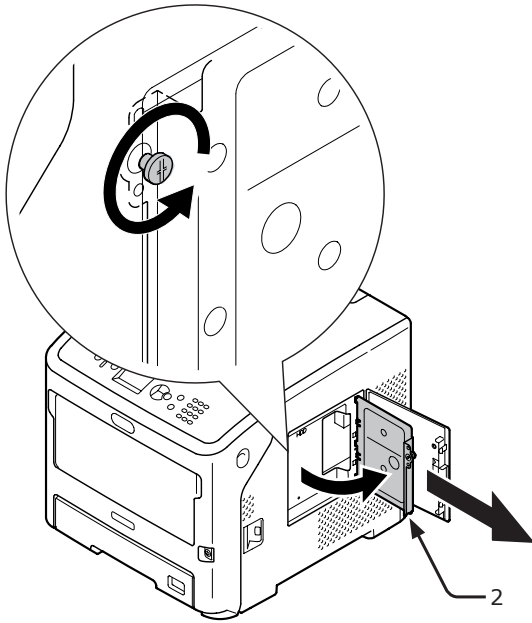
### Reference

- "Turning Off the Power" P.29

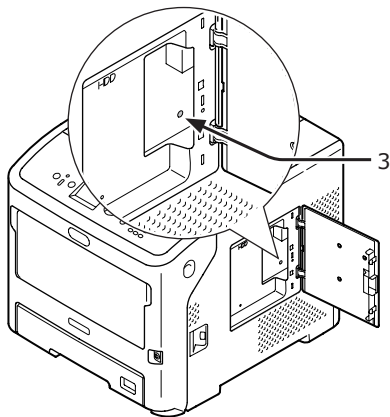
- 2** Open the access cover (1) on the right side of a printer.



**3** Loosen the screw to remove the metal plate (2).



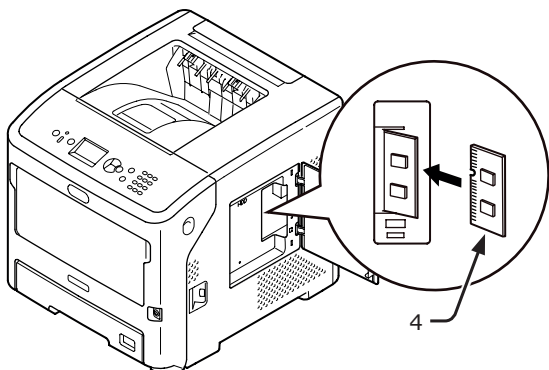
**4** Make sure the LED (3) indicated by the arrow is unlit. If it is lit, wait until it turns off.



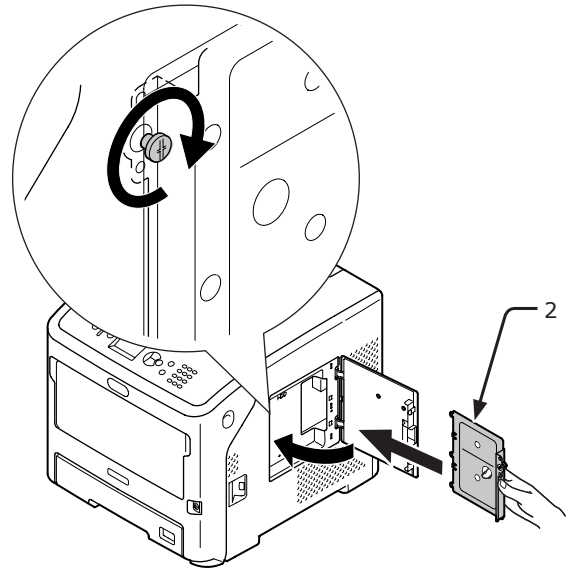
**5** Insert the additional RAM (4) into the slot and fix it by pushing it toward the printer.

**! Note**

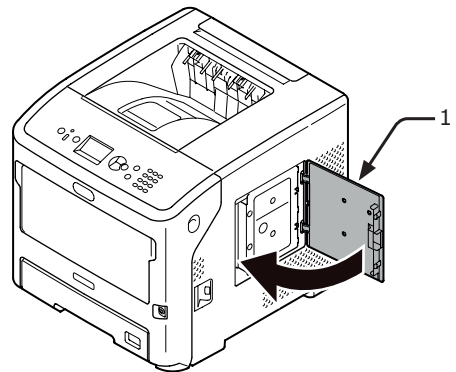
- Be careful of the orientation of the additional RAM. The additional RAM has small dents on its connector, which are to be fitted with a connector of a slot.



**6** Insert the right side of the metal plate (2) into the printer, close it, then secure it by tightening the screw.

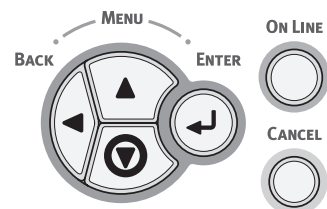


**7** Close the access cover (1).

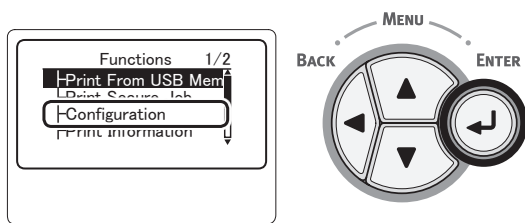


**8** Plug the AC cable and removed cables into your printer, and then turn on the power switch.

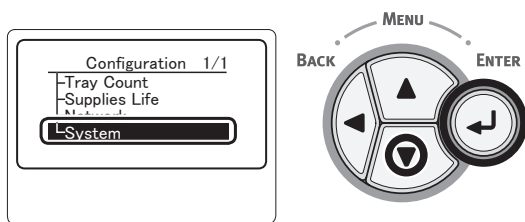
**9** Press the scroll button ▼ on the operator panel.



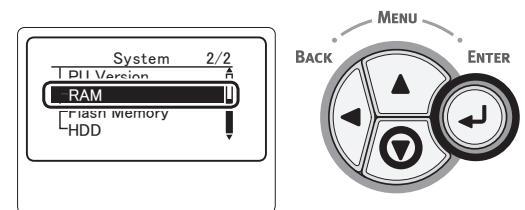
- 10** Check that [**Configuration**] is selected then press the <**ENTER**> button.



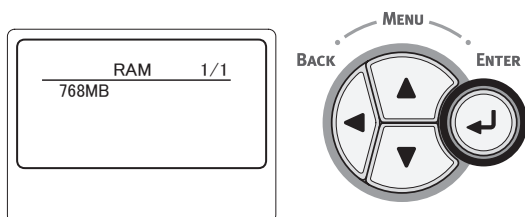
- 11** Press the scroll button ▼ several times to select [**System**] then press the <**ENTER**> button.



- 12** Press the scroll button ▼ several times to select [**RAM**] then press the <**ENTER**> button.



- 13** Check that the value of [**RAM**] has increased.

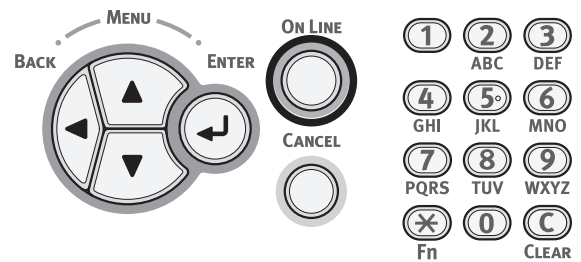


- For memory expanded to 512 MB, it is [**768 MB**].

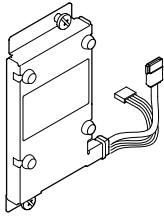
**! Note**

- If the value of [**RAM**] has not increased, turn off your printer and unplug the AC cable and all the cables, and then reinstall the additional RAM.

- 14** Press the <**ON LINE**> button.



# Installing a Hard Disk

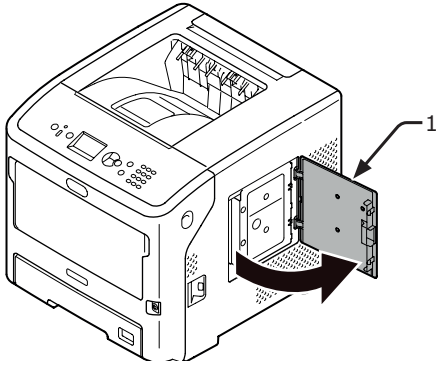


**1** Turn off your printer, and then unplug all the cables from the printer.

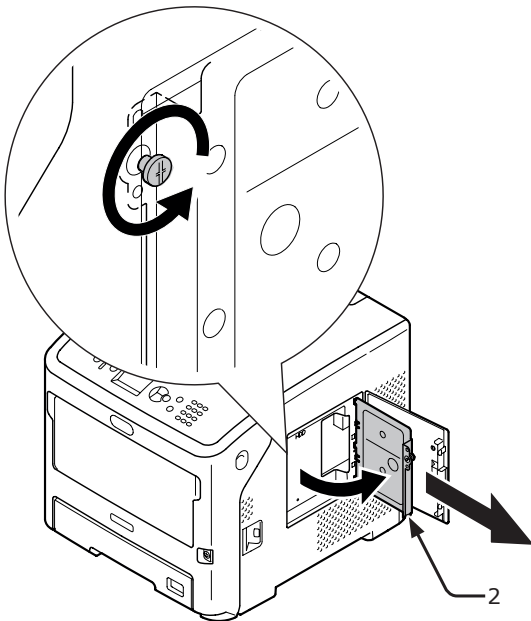
 Reference

- "Turning Off the Power" P.29

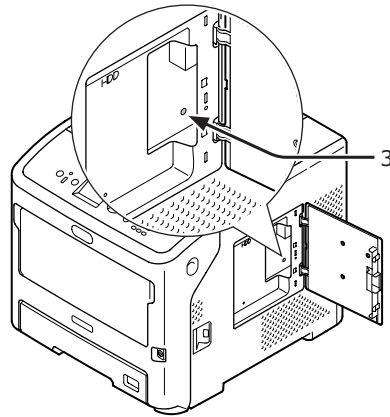
**2** Open the access cover (1) on the right side of the printer.



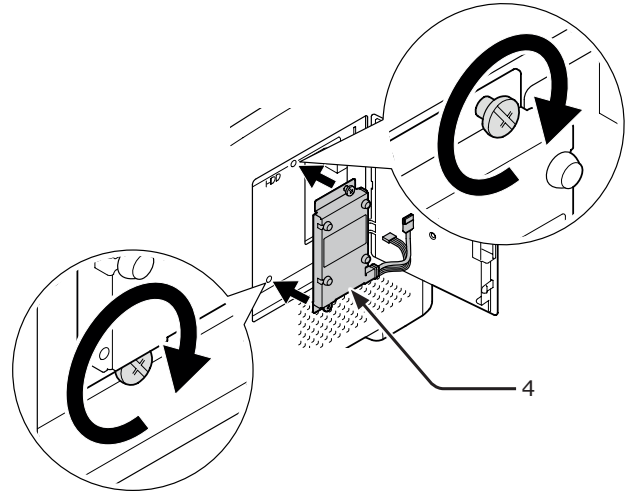
**3** Loosen the screw to remove the metal plate (2).



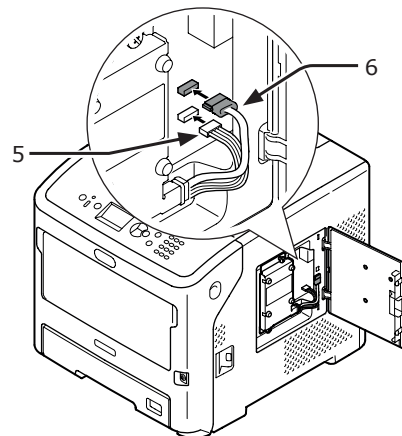
**4** Make sure the LED (3) indicated by the arrow is unlit. If it is lit, wait until it turns off.



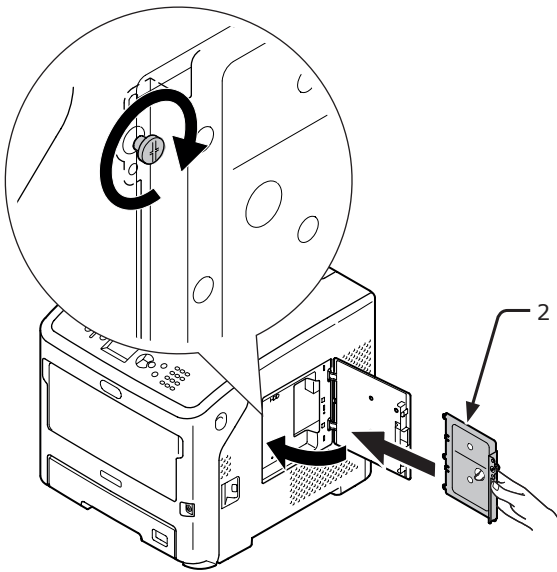
**5** Attach a hard disk (4), and fasten two screws to secure it.



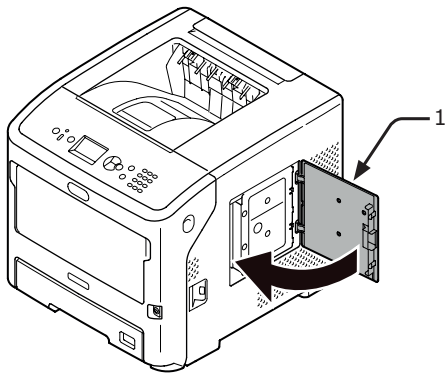
**6** Plug the white connector (5) of the hard disk first into the printer then plug the other connector (6) into the printer.



- 7 Insert the right side of the metal plate (2) into the printer, close it, then secure it by tightening the screw.

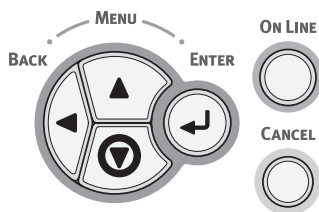


- 8 Close the access cover (1).

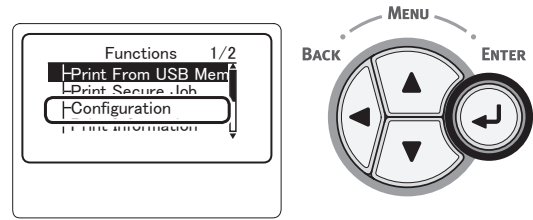


- 9 Plug the AC cable and removed cables into your printer, and then turn on the power switch.

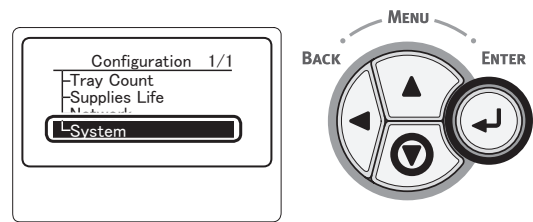
- 10 Press the scroll button ▼ on the operator panel.



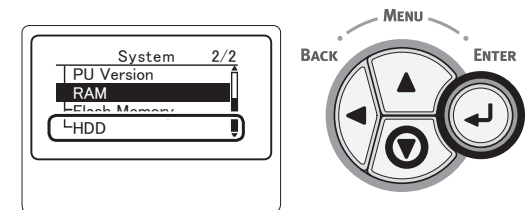
- 11 Check that [**Configuration**] is selected then press the <ENTER> button.



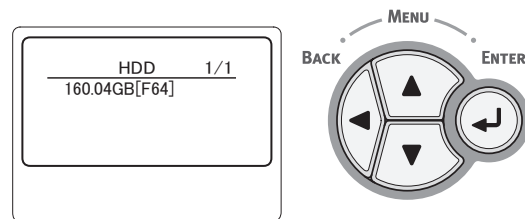
- 12 Press the scroll button ▼ several times to select [**System**] then press the <ENTER> button.



- 13 Press the scroll button ▼ several times to select [**HDD**] then press the <ENTER> button.



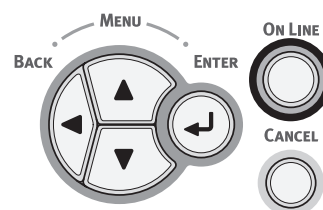
- 14 Check that the value of [**HDD**].



**Note**

- If [**uninstalled**] is displayed, turn off your printer and unplug the AC cable and all the cables, and then reinstall the hard disk.

- 15 Press the <ON LINE> button.



# 2. Printing Basic Operation

## ● Turning On/Off the Power

### Power Supply Conditions

The power supply must meet the following conditions:

- Current: 110–127 V AC  
(Range 99–140 V AC)  
220–240 V AC  
(Range 198–264 V AC)
- Frequency: 50/60 Hz ± 2%

**Note**

- If the power supply is unstable, use a voltage regulator.
- The maximum power consumption of this printer is 1400 W. Ensure that the power supply is sufficient to operate this printer.
- We do not guarantee operation where an uninterruptible power system (UPS) or inverter is used. Do not use an uninterruptible power system (UPS) or inverter.

**WARNING**

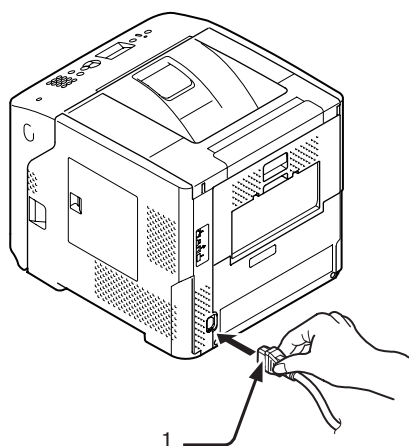
**There is a risk of getting an electric shock and/or causing fire.**



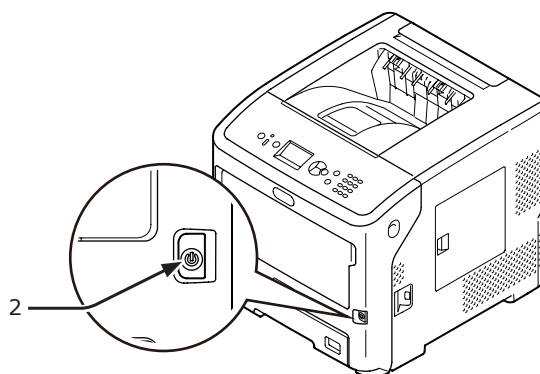
- Be sure to turn off the power supply switch when attaching or removing the AC cable.
- Be sure to plug in and unplug the AC cable while holding on to the power supply plug.
- Insert the AC cable plug completely into the wall socket securely.
- Do not touch the power cord, or printer, if your hands are wet.
- Install a power cord in the place which is not stepped on, and do not place a thing on a power cord.
- Do not use the cord tied in a bundle.
- Please do not use the damaged power cord.
- Do not use multi-outlet adapters.
- Do not connect this printer and other electric products to the same wall socket. If it is connected simultaneously with an air conditioner, copier, shredder, etc., the printer may malfunction by the electric noise. When you connect with the same wall socket unavoidably, please use a commercial noise filter or a commercial noise cut transformer.
- Use the power cord supplied to the printer and plug it directly into a wall socket. Do not use the power cord for other product for the printer.
- Do not use an extension cord. When you use it unavoidably, use the thing more than rated 15 A.
- Use of an extended code may not operate a printer normally by AC voltage descent.
- During printing, do not shut off a power supply or do not pull out a power supply plug.
- When you use it neither for consecutive holidays nor a travel for a long time, pull out a power cord.
- Do not use the supplied power cord to the other products.

### Turning On the Power

- 1 Plug the AC cable (1) into the AC power socket of your printer.



- 2 Plug the AC cable into the electric socket.
- 3 Hold down the power switch (2) for about 1 second to turn on the power.



The Power switch LED indicator lights up when the printer turns on. The message "Ready To Print" is displayed in the operator panel once printer is ready.

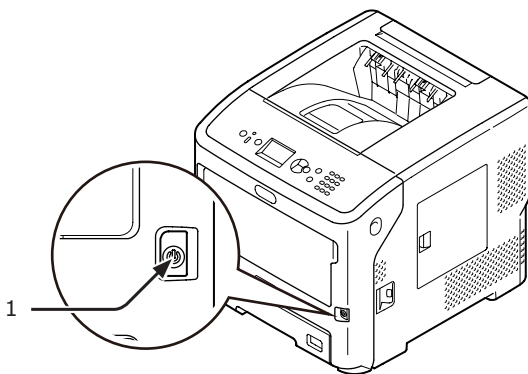
## Turning Off the Power

- 1 Hold down the power switch (1) for about 1 second.

The message "Shutting down/Please wait. Printer will turn off automatically." appears in the operator panel, and the power switch indicator blinks every 1 second. Then the printer turns off automatically and the power switch indicator goes out.

### ! Note

- It may take about 5 minutes for the printer to shut itself off. Wait until it turns off.
- Holding down the power switch for more than 5 seconds turns off printer forcibly. Only perform this procedure when a problem occurs. For printer problems, refer to "Machine Issues" P.119.



### ■ When the Printer is Not Used for a Long Time

When the printer is not used for a long time due to consecutive holidays or when on vacation, or when changing or attaching parts in repair or maintenance, unplug the AC cable (1).

### Memo

- The printer will not be functionally impaired even if left unplugged for a long time (more than 4 weeks).

## Power Save Mode and Sleep Mode

Two-phase power conservation enables you to save on power consumed by the printer.

### Power Save Mode

When your printer is not used for a certain period of time, it automatically enters the power save mode to reduce the power consumption.

You can enter the power save mode manually by pressing the <POWER SAVE> button on the operator panel.

The <POWER SAVE> button is lit in green while in this mode.



### Memo

- By factory default, the time interval before entering the power save mode is set to 1 minute. For how to change the time that elapses before the printer enters the power save mode, refer to "Setting the Time that Elapses Before Entering the Power Save Mode" P.44.

### Sleep Mode

Your printer goes from the power save mode to the sleep mode after a set period of time. In sleep mode, the status of your printer is almost the same as when it is off.

The <POWER SAVE> button blinks in sleep mode.

### ! Note

- The printer does not enter the sleep mode if an error occurs.

### Memo

- By factory default, the time interval before entering the sleep mode is set to 15 minutes. For how to change the time that elapses before the printer enters the sleep mode, refer to "Setting the Time that Elapses Before Entering the Sleep Mode" P.45.

### Reference

- For more detailed information on sleep mode, please refer to the User's Manual (Advanced).

## Restoring a Printer from the Power Saving Mode

To restore the printer from the power save mode or the sleep mode, press the <**POWER SAVE**> button on the operator panel.

### Memo

- When the printer receives a print job from a computer or other devices, it is restored automatically

## Auto Power Off Function

When a certain period of time elapses after printing, this printer will turn off automatically.

### Memo

- The factory default setting for time that elapses before the printer power turns off automatically is 4 hours.
- For how to change the time that elapses before the printer power turns off automatically, refer to "[Setting the Auto Power Off Time](#)" P.48.

### Note

- In the factory default setting, the auto power off mode is disabled during network connection. To enable the auto power off mode during network connection, refer to "[Setting the Auto Power Off Time](#)" P.48.

## ● Loading Paper

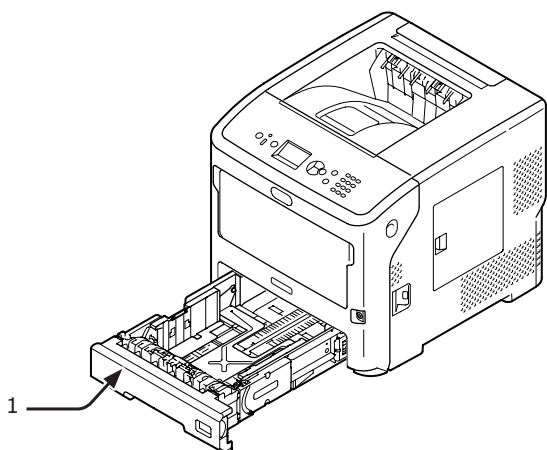
### Loading Paper in Trays 1-4

The following procedure explains how to load paper in tray 1 or optional trays 2/3/4.

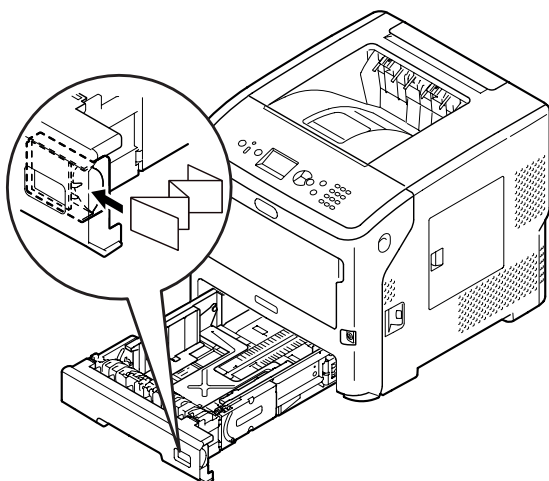
#### Memo

- This procedure explains how to load paper in tray 1. The same procedure is applied to trays 2/3/4.

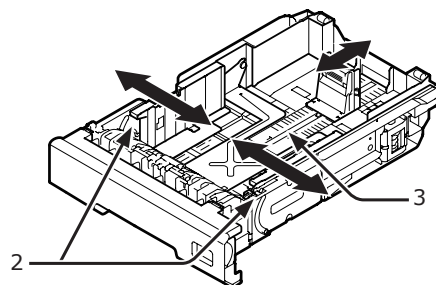
#### 1 Pull out the paper tray (1).



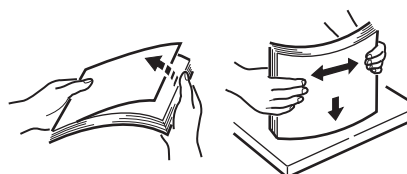
#### 2 Display the size of the paper to be loaded on the indicator then insert the indicator.



#### 3 Slide the paper guide (2) and paper stopper (3) to the size of paper to be loaded.



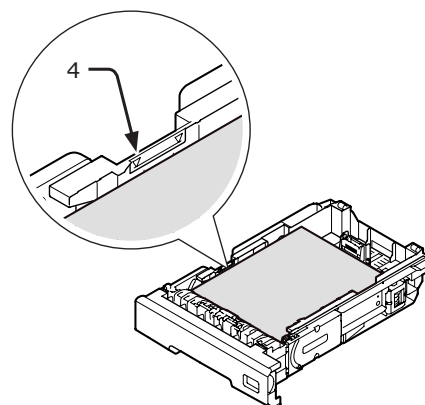
#### 4 Flex paper back and forth, and then fan it. Straighten the edges of the paper stack on a level surface.



#### 5 Load paper with the print side face down and press it from above.

#### ! Note

- Do not load paper exceeding the [▽] mark (4) of the paper guide.



#### 6 Return the paper tray to the printer.

#### Memo

- If you load paper whose size cannot be selected with the paper size indicator options, set the paper size on the operator panel.

## Loading Paper in the MP Tray

This procedure explains how to load paper in the MP Tray.

**Note**

- Do not load paper of different sizes, types, or weights at the same time.
- When adding paper, remove the paper on the MP Tray and straighten the edges of both stacks of paper, and then load them again.
- Do not put anything other than paper for printing in the MP Tray.

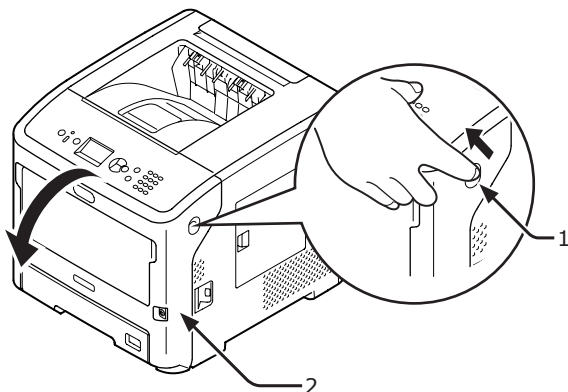
### Preparation before Loading Envelopes in the MP Tray

Before loading envelopes in the MP Tray, perform the following procedure:

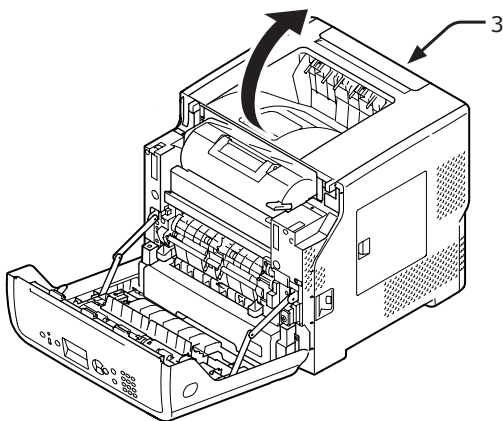
- 1 Insert your finger into the recess on the right side of the printer and pull the front cover open lever (1) to open the front cover (2) forward.

**Note**

- Open the front cover gently. If you open it rapidly, the MP Tray may open.

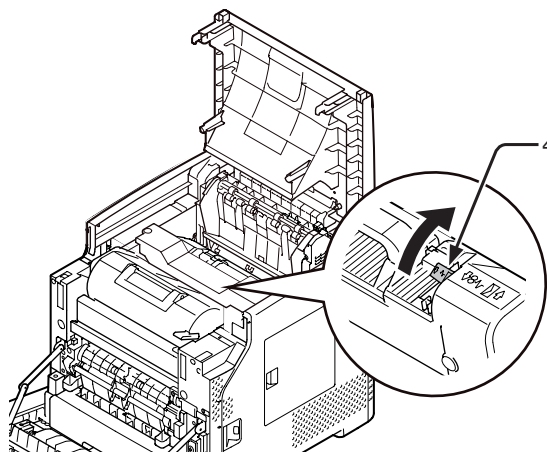


- 2 Open the top cover (3).

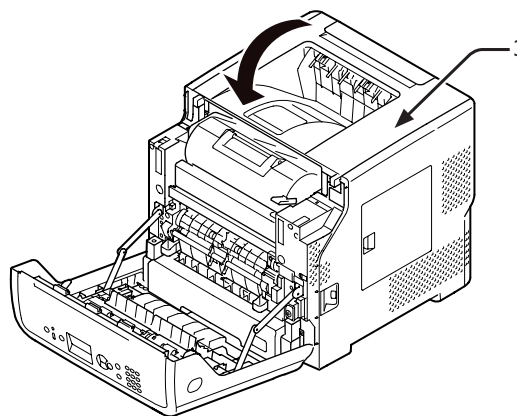


- 3 Tilt the paper jam release lever (4) of the fuser unit back to the envelope position.

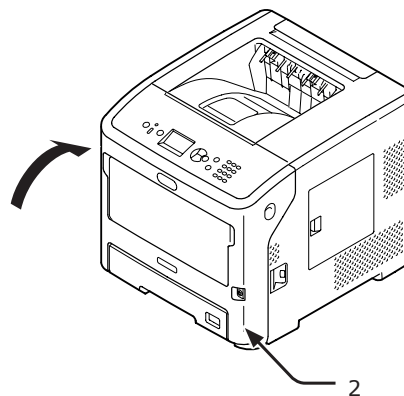
⚠ CAUTION	<b>Possible to get burned.</b>	⚠
<ul style="list-style-type: none"> <li>• Since the fuser unit gets hot, carry out the operation carefully, and when lifting it up you must hold it by the handle. Do not try to hold it whilst it is hot. Wait until it has cooled down and then carry out the operation.</li> </ul>		



- 4 Close the top cover (3).

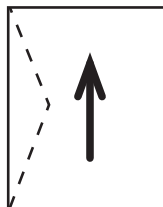


- 5 Close the front cover (2).



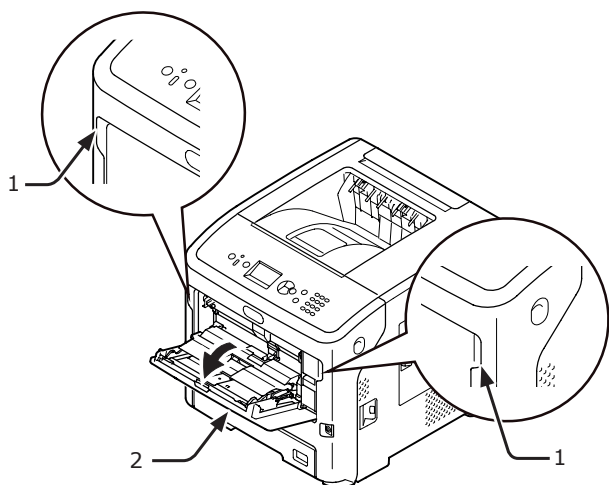
## Memo

- When loading envelopes in the MP Tray, load them face up with the orientation noted below.
  - C5, C6, DL, Com-9, Com010 and Monarch are loaded with the flap folded, with the orientation shown in the figure below.

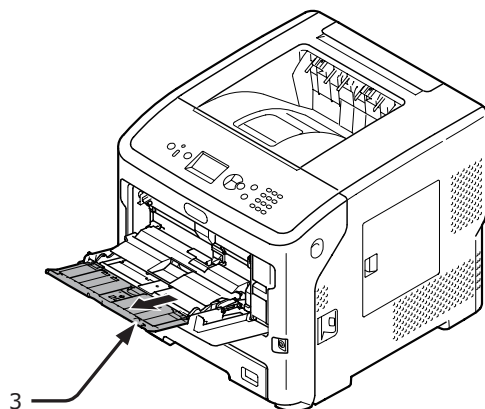


## Loading Paper

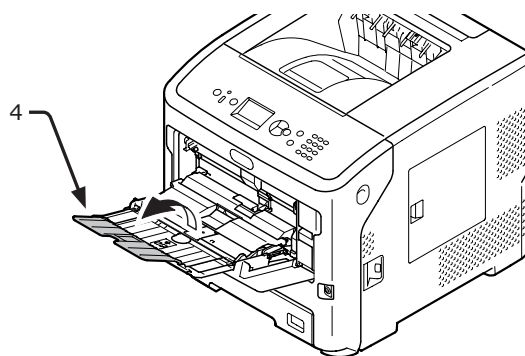
- Open the MP Tray (2) forward by inserting your fingers into the front recesses (1).



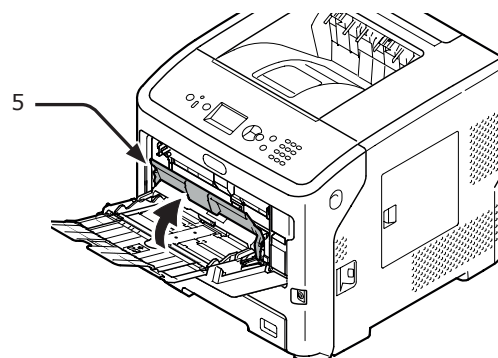
- Pull out the paper support (3) by holding the center part of it.



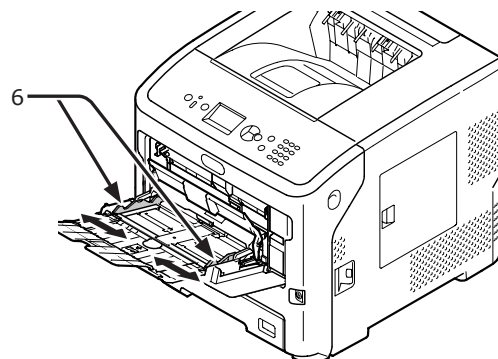
- Unfold the sub support (4).



- Open the paper set cover (5).



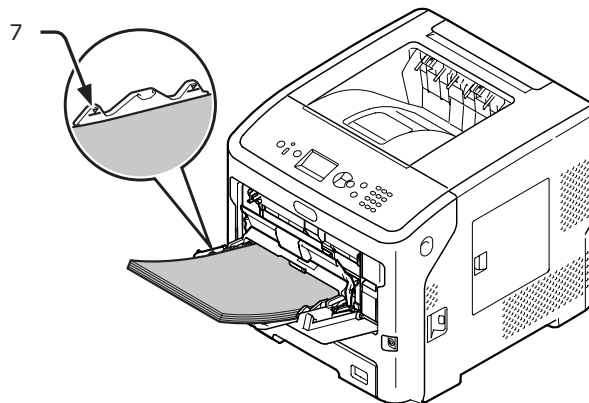
- Adjust the manual feeding paper guide (6) to the width of paper to be loaded.



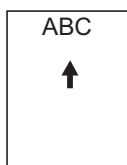
- Insert the paper with the print side face up.

## ! Note

- Do not load paper exceeding the [▽] mark (7).



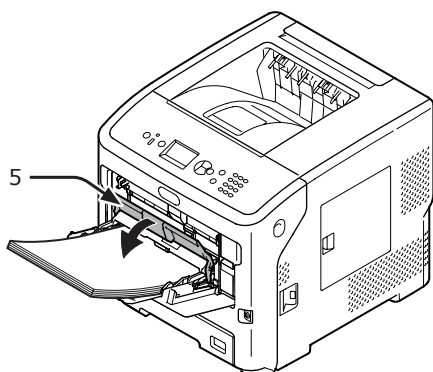
Load the paper, with the orientation shown in the figure below.



**Note**

- The paper may be wrinkled or curled after printing.
- Use paper stored in proper temperature and humidity conditions. Do not use paper that is curled or waved because of humidity.
- Do not print on the back side of paper on which other printer has printed.
- Curling of an envelope may cause the toner problem. Use an envelope that is not curled. Correct curling of an envelope within 2 mm.
- Printing an envelope with an adhesive flap bent cause the toner problem. Correct bend of the flap before using such an envelope.

**7** Close the paper set cover (5).

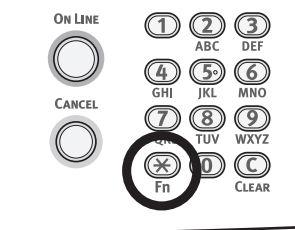


If always printing on the same size or type of paper from the MP Tray, register the paper on the operator panel (“[Registering Custom Sizes](#)” P.35.) If printing once, proceed to “[3. Printing](#)” page 54.

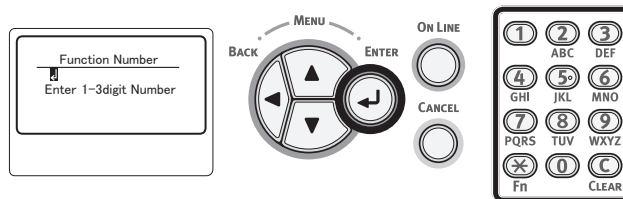
**Note**

- When the printer is in power saving mode, press the <**POWER SAVE**> button to restore from the mode.
- Make sure that the message “Ready To Print” is displayed in the operator panel. If the message is not displayed, press the <**ON LINE**> button.

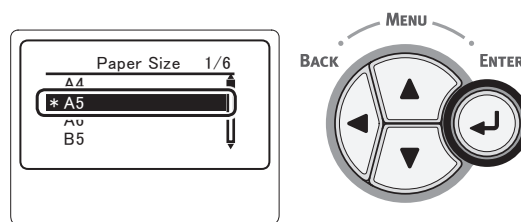
**8** Press the <**Fn**> key.



**9** Enter “90” using the ten-key pad, then press the <**ENTER**> button.



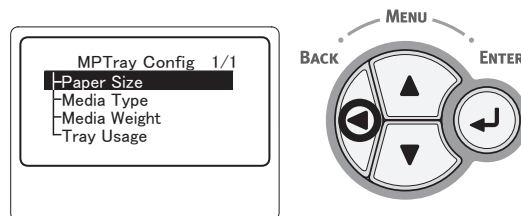
**10** When [**Paper Size**] is displayed, select the size of the loaded paper and then press the <**ENTER**> button.



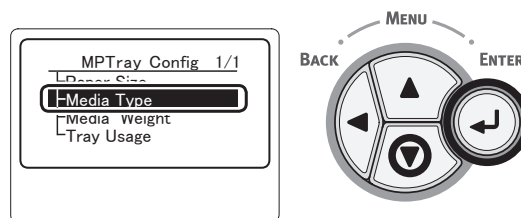
**Reference**

- If [**Custom**] is selected for [**Paper Size**], you need to register the custom size. For how to register the custom size, refer to “[Registering Custom Sizes](#)” P.35.

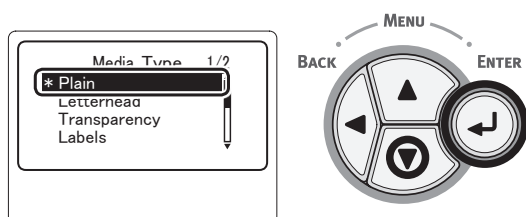
**11** Press the <**BACK**> button until [**MPTray Config**] is displayed.



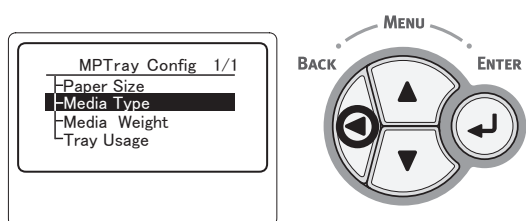
**12** Press the scroll button ▼ several times to select [**Media Type**] then press the <**ENTER**> button.



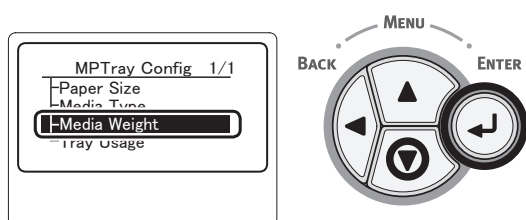
- 13 Press the scroll button ▼ to select the type of the loaded paper and then press the <ENTER> button.



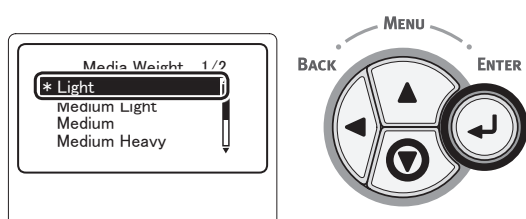
- 14 Press the <BACK> button until [MPTray Config] is displayed.



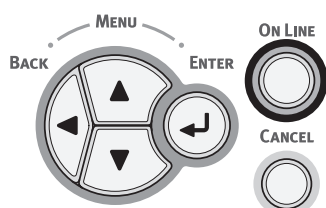
- 15 Press the scroll button ▼ several times to select [Media Weight] then press the <ENTER> button.



- 16 Press the scroll button ▼ to select the weight of the loaded paper and then press the <ENTER> button.



- 17 Press the <ON LINE> button to exit the menu mode.



## Registering Custom Sizes

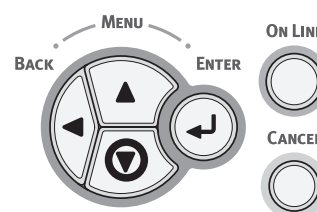
To load custom size paper, you need to register the width and length of the paper before printing. The range of the sizes you can set differs according to the paper tray.

Tray	Available size range
Tray 1 Trays 2-4 (Option)	Width: 148-216 mm (5.8-8.5 inches) Length: 210-356 mm (8.3-14.0 inches)
MP Tray	Width: 76.2-216 mm (3.0-8.5 inches) Length: 127-1321 mm (5.0-52.0 inches)

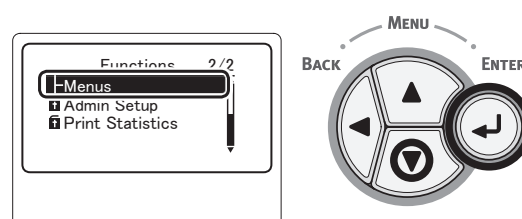
### ! Note

- [X/Y Dimensions] is displayed only when [Paper Size] is set to [Custom].

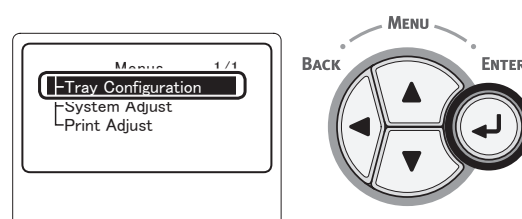
- 1 Press the scroll button ▼ on the operator panel.



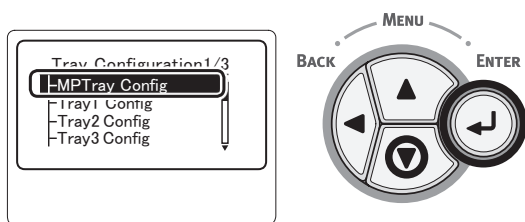
- 2 Press the scroll button ▼ several times to select [Menus] then press the <ENTER> button.



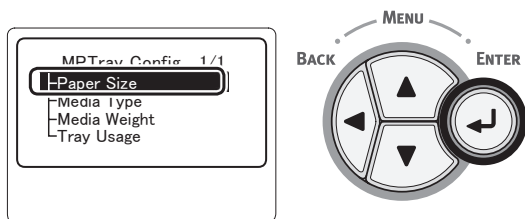
- 3 Check that [Tray Configuration] is selected then press the <ENTER> button.



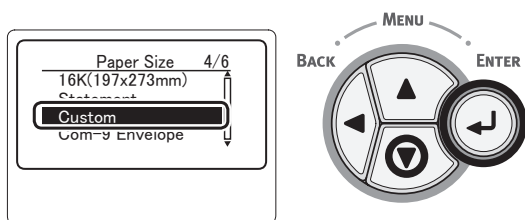
- 4 Press the scroll button ▼ several times to select [(Tray) Config] of the paper tray in which you loaded paper and then press the <ENTER> button.



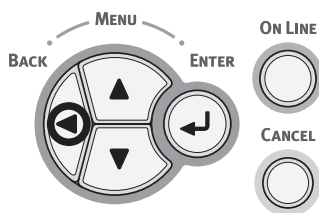
- 5 Check that [Paper Size] is selected then press the <ENTER> button.



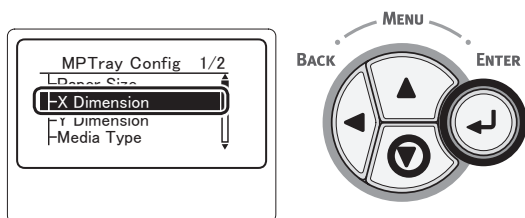
- 6 Press the scroll button ▼ several times to select [Custom] then press the <ENTER> button.



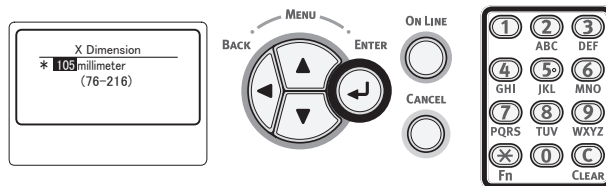
- 7 Press the <BACK> button.



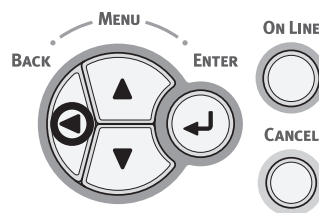
- 8 Press the scroll button ▼ several times to select [X Dimension] then press the <ENTER> button.



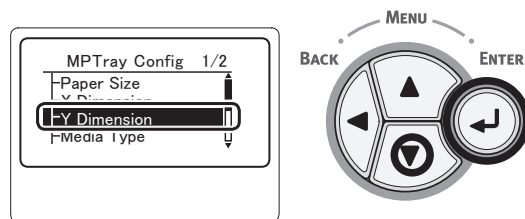
- 9 Enter the paper width value using the ten-key pad then press the <ENTER> button.



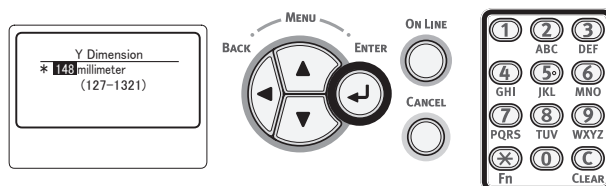
- 10 Press the <BACK> button.



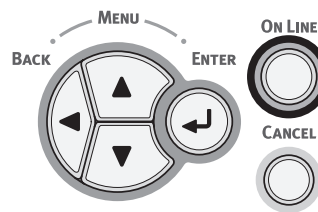
- 11 Press the scroll button ▼ several times to select [Y Dimension] then press the <ENTER> button.



- 12 Enter the paper length value using the ten-key pad then press the <ENTER> button.



- 13 Press the <ON LINE> button to exit the menu mode.



## ● Paper Output

Your printer outputs to the facedown or faceup stacker. Paper types that can be output to each stacker are as follows:

Output Stacker	Supported paper type	Paper output capacity
Facedown Output Stacker	<ul style="list-style-type: none"> <li>• Plain paper</li> <li>• Recycled paper</li> </ul>	<ul style="list-style-type: none"> <li>• 500 sheets (when paper weight is less than 80 g/m<sup>2</sup>)</li> </ul>
Faceup Output Stacker	<ul style="list-style-type: none"> <li>• Plain paper</li> <li>• Recycled paper</li> <li>• Envelope</li> <li>• Index card</li> <li>• Label</li> </ul>	<ul style="list-style-type: none"> <li>• 100 sheets (when paper weight is less than 80 g/m<sup>2</sup>)</li> <li>• 20 sheets (Ultra Heavy paper and envelopes)</li> </ul>

### ! Note

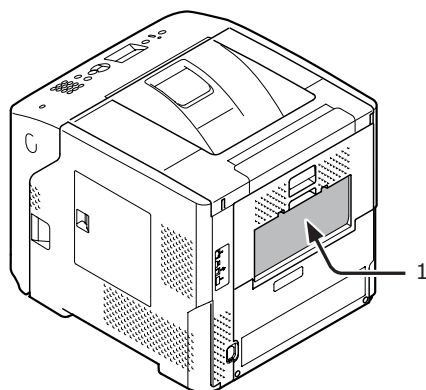
- Do not open or close the faceup stacker while printing as it may result in a paper jam.

### ■ Using the Facedown Stacker

Paper is delivered with the print side face down, stacked in the order printed.

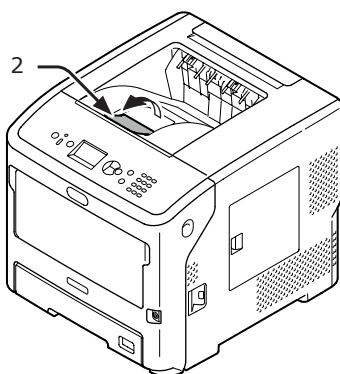
### ! Note

- Check that the faceup stacker (1) on the rear side of the printer is closed. If the faceup stacker is open, paper is always output to the faceup stacker.



### Memo

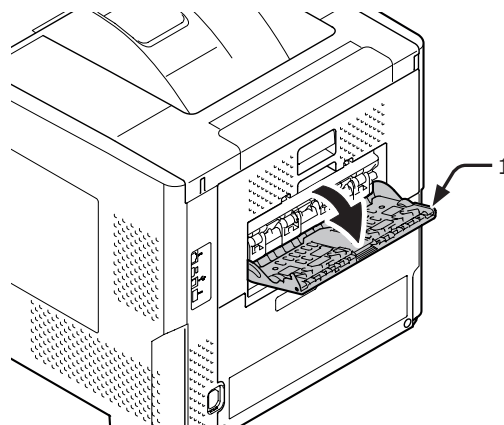
- Open the paper supporter (2) so that the printed papers do not fall down from the top cover.



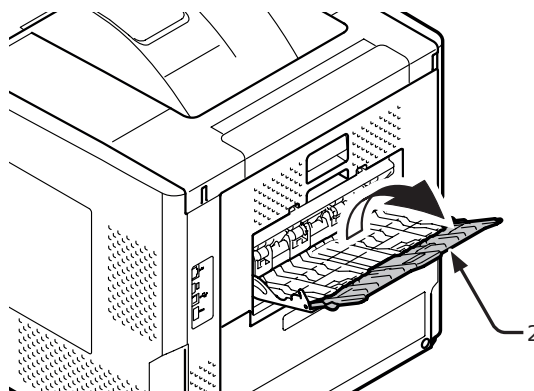
### ■ Using the Faceup Stacker

Paper is delivered with the print side face up, stacked opposite the order printed.

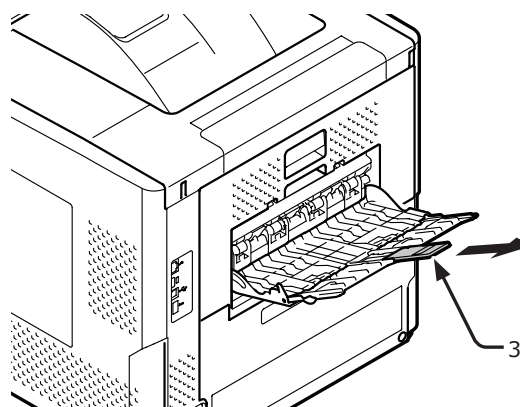
- 1 Pull the faceup stacker (1) on the rear side of the printer and open it outward. Insert your finger into the recess at the center of the faceup stacker then open it obliquely downward.



- 2 Unfold the paper support (2).



- 3 Pull out the sub support (3).



## • Supported Paper

### Supported Paper Types

For high-quality printing, be sure to use paper types that satisfy requirements such as those for material quality, weight, and surface finish. Please use digital photo print paper.

Paper Type	Paper Size mm (inch)		Paper Weight
Plain paper	A4	210 x 297	With the MP Tray: 64–253 g/m <sup>2</sup> ; With the 1st–4th tray: 64–220 g/m <sup>2</sup> ; For duplex printing: Paper size 148–216 mm x 210–355.6 mm, paper weight: 64–220 g/m <sup>2</sup> <b>! Note</b> • The printing speed will become lower with the paper sizes and weights shown below. Paper size: A6, A5; Paper width: Less than 216 mm (A5 width)
	A5	148 x 210	
	A6	105 x 148	
	B5	182 x 257	
	B6	128 x 182	
	Letter	215.9 x 279.4 (8.5 x 11)	
	Legal (13 inch)	215.9 x 330.2 (8.5 x 13)	
	Legal (13.5 inch)	215.9 x 342.9 (8.5 x 13.5)	
	Legal (14 inch)	215.9 x 355.6 (8.5 x 14)	
	Executive	184.2 x 266.7 (7.25 x 10.5)	
	Statement	(5.5 x 8.5)	
	16K (184 x 260 mm)	184 x 260	
	16K (195 x 270 mm)	195 x 270	
	16K (197 x 273 mm)	197 x 273	
	Banner (210 x 900 mm)	210 x 900	
	Banner (215 x 900 mm)	215 x 900	
Banner (215 x 1200 mm)	215 x 1200		
Custom	Width: 76.2–216 Length: 127–1321	64–253 g/m <sup>2</sup>	
Envelope	Com-10	104.8 x 241.3 (4.125 x 9.5)	Envelopes should be 24lb paper, and flap parts of envelopes should be folded.
	Com-9	98.4 x 255.4 (3.875 x 8.875)	
	Monarch	98.4 x 190.5 (3.875 x 7.50)	
	DL	110 x 220 (4.33 x 8.66)	
	C6	114 x 162 (4.49 x 6.38)	
	C5	162 x 229 (6.4 x 9)	
Index Card	Index Card	76.2 x 127 (3 x 5)	
Photo Size	Photo Size	(4 x 6)	
		(5 x 7)	
Label	—	—	0.1–0.2 mm
Partly-printing paper	Subject to the plain paper*1		64–253 g/m <sup>2</sup>
Color paper	Subject to the plain paper*2		64–253 g/m <sup>2</sup>

\*1 Use paper that meets the following conditions:

- Paper that meets the conditions for plain paper.
- An ink used for a part printing is heat resistant (230°C).

**Note**

- When specifying a printing area, please take into account the differences of printing position as followings:  
Print start position:  $\pm 2$  mm, Paper skew:  $\pm 1$  mm/100 mm, Image stretch:  $\pm 1$  mm/100 mm (when paper ream weight is  $80 \text{ g/m}^2$  (20 lb))
- This printer cannot print on an ink.

\*2 Use paper that meets the following conditions:

- A pigment or an ink used to color paper is heat resistant ( $210^\circ\text{C}$ ).
- Paper that has same characteristics with plain paper and used for an electronic photo printer.

## Paper Loaded on the Tray

Your printer has two built-in trays (tray 1 and the MP Tray) and can use optional tray units (trays 2/3/4). Refer to the list below to check the supported paper and capacities of each tray.

**Note**

- Duplex printing can not be performed on paper indicated with an asterisk (\*).
- Com-10 is not supported Tray by 3 and Tray 4.

Tray	Supported Paper Size	Paper capacity	Paper Weight
Tray 1	<ul style="list-style-type: none"> <li>• A4</li> <li>• A5</li> <li>• B5</li> <li>• Letter</li> <li>• Legal 13</li> <li>• Legal 13.5</li> <li>• Legal 14</li> <li>• Executive</li> <li>• 16K (184 x 260 mm)</li> <li>• 16K (195 x 270 mm)</li> <li>• 16K (197 x 273 mm)</li> <li>• Statement</li> <li>• Com-10*</li> <li>• Com-9*</li> <li>• Custom</li> </ul>	530 sheets (When paper weight is less than 80 g/m <sup>2</sup> )	<ul style="list-style-type: none"> <li>• Light (64 g/m<sup>2</sup>)</li> <li>• Medium Light (65–74 g/m<sup>2</sup>)</li> <li>• Medium (75–87 g/m<sup>2</sup>)</li> <li>• Medium Heavy (88–104 g/m<sup>2</sup>)</li> <li>• Heavy (105–120 g/m<sup>2</sup>)</li> <li>• Ultra Heavy1 (121–163 g/m<sup>2</sup>)</li> <li>• Ultra Heavy2 (164–220 g/m<sup>2</sup>)</li> </ul>
Trays 2/3/4 (option)	<ul style="list-style-type: none"> <li>• A4</li> <li>• A5</li> <li>• B5</li> <li>• Letter</li> <li>• Legal 13</li> <li>• Legal 13.5</li> <li>• Legal 14</li> <li>• Executive</li> <li>• 16K (184 x 260 mm)</li> <li>• 16K (195 x 270 mm)</li> <li>• 16K (197 x 273 mm)</li> <li>• Statement</li> <li>• Com-10*</li> <li>• Custom</li> </ul>	530 sheets (When paper weight is less than 80 g/m <sup>2</sup> )	<ul style="list-style-type: none"> <li>• Light (64 g/m<sup>2</sup>)</li> <li>• Medium Light (65–74 g/m<sup>2</sup>)</li> <li>• Medium (75–87 g/m<sup>2</sup>)</li> <li>• Medium Heavy (88–104 g/m<sup>2</sup>)</li> <li>• Heavy (105–120 g/m<sup>2</sup>)</li> <li>• Ultra Heavy1 (121–163 g/m<sup>2</sup>)</li> <li>• Ultra Heavy2 (164–220 g/m<sup>2</sup>)</li> </ul>

## ! Note

- Duplex printing can not be performed on paper indicated with an asterisk (\*).
- Com-10 is not supported Tray by 3 and Tray 4.

Tray	Supported Paper Size	Paper capacity	Paper Weight
MP Tray	<ul style="list-style-type: none"> <li>• A4</li> <li>• A5</li> <li>• B5</li> <li>• B6*</li> <li>• A6*</li> <li>• Letter</li> <li>• Legal 13</li> <li>• Legal 13.5</li> <li>• Legal 14</li> <li>• Executive</li> <li>• Statement</li> <li>• 16K (184 x 260 mm)</li> <li>• 16K (195 x 270 mm)</li> <li>• 16K (197 x 273 mm)</li> <li>• Custom</li> <li>• Com-10*</li> <li>• Com-9*</li> <li>• Monarch*</li> <li>• DL*</li> <li>• C5*</li> <li>• C6*</li> <li>• Index card*</li> <li>• Photo Size*</li> <li>• Banner (210 x 900 mm)*</li> <li>• Banner (215 x 900 mm)*</li> <li>• Banner (215 x 1200 mm)*</li> </ul>	<ul style="list-style-type: none"> <li>• 100 sheets (When paper weight is less than 80 g/m<sup>2</sup>)</li> <li>• 20 envelopes</li> </ul>	<ul style="list-style-type: none"> <li>• Light (64 g/m<sup>2</sup>)</li> <li>• Medium Light (65–74 g/m<sup>2</sup>)</li> <li>• Medium (75–87 g/m<sup>2</sup>)</li> <li>• Medium Heavy (88–104 g/m<sup>2</sup>)</li> <li>• Heavy (105–120 g/m<sup>2</sup>)</li> <li>• Ultra Heavy1 (121–163 g/m<sup>2</sup>)</li> <li>• Ultra Heavy2 (164–220 g/m<sup>2</sup>)</li> <li>• Ultra Heavy3 (221–253 g/m<sup>2</sup>)</li> </ul>

## Storing Paper

Store paper under the following conditions to maintain quality.

- Inside a cabinet or other dry and dark place
- On a flat surface
- Temperature: 20°C
- Humidity: 50% RH (relative humidity)

Do not store in the following locations:

- Directly on the floor
- In direct sunlight
- Near the inside of an exterior wall
- On an uneven surface
- Where static electricity may be generated
- In places that are excessively hot or where temperature rapidly changes
- Near a copier, air conditioner, heater, or duct

**Note**

- Do not unwrap the paper until you are ready to use the paper.
- Do not leave paper unwrapped for a long period. Doing so may result in paper handling and print quality issues.
- Depending on a media you use, usage conditions and a storing conditions, a decrease in paper quality or curling of the paper may occur.

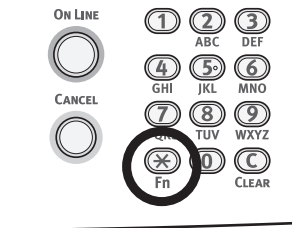
# ● Test Printing from the Printer

Check that you can print with the printer. Check the detailed settings and status of your printer by printing the contents of the settings (Menu Map).

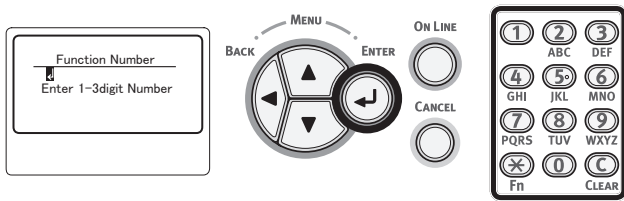
**! Note**

- When the printer is in power saving mode, press the <**POWER SAVE**> button to restore from the mode.

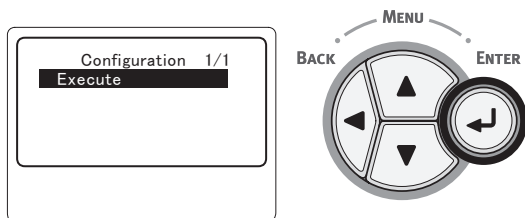
**1** Press the <**Fn**> key on the operator panel.



**2** Enter "100" using the ten-key pad, then press the <**ENTER**> button.



**3** Press the <**ENTER**> button as [**Execute**] is selected.



**4** After finishing a print of printer settings, check that the added options are properly indicated. Setup for printing from a printer completes if the options have been properly added.

# ● Setting the Time that Elapses Before Entering the Power Save Mode

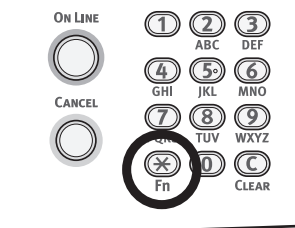
2

Printing Basic Operation

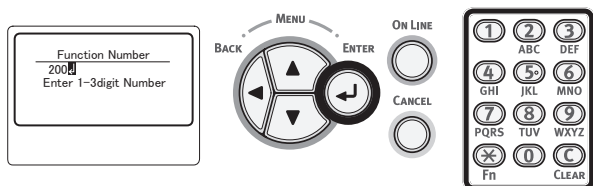
**Note**

- When the printer is in power saving mode, press the <POWER SAVE> button to restore from the mode.
- Make sure that the message "Ready To Print" is displayed in the operator panel. If the message is not displayed, press the <ON LINE> button.

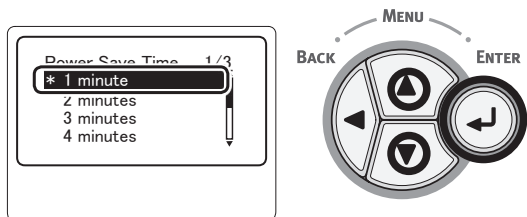
1 Press the <Fn> key on the operator panel.



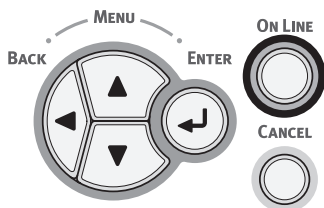
2 Enter "200" using the ten-key pad, then press the <ENTER> button.



3 Press the scroll button ▼ or ▲ to specify the time and then press the <ENTER> button.



4 Press the <ON LINE> button.



**Memo**

- The power save time can be selected from among the options shown below. The factory default setting is 1 minute.

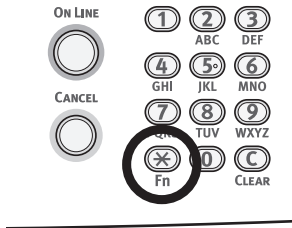
- [1 minute]
- [2 minutes]
- [3 minutes]
- [4 minutes]
- [5 minutes]
- [10 minutes]
- [15 minutes]
- [30 minutes]
- [60 minutes]

# ● Setting the Time that Elapses Before Entering the Sleep Mode

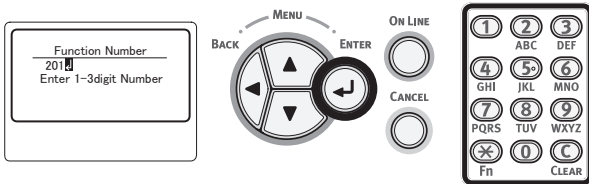
**Note**

- When the printer is in power saving mode, press the **<POWER SAVE>** button to restore from the mode.
- Make sure that the message "Ready To Print" is displayed in the operator panel. If the message is not displayed, press the **<ON LINE>** button.

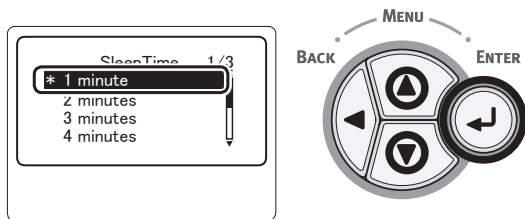
1 Press the **<Fn>** key on the operator panel.



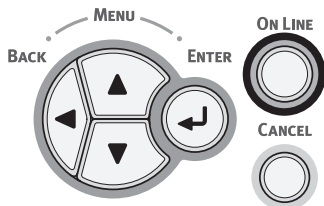
2 Enter "201" using the ten-key pad, then press the **<ENTER>** button.



3 Press the scroll button ▼ or ▲ to specify the time and then press the **<ENTER>** button.



4 Press the **<ON LINE>** button.



**Memo**

- The power save time can be selected from among the options shown below. The factory default setting is 15 minute.

- [1 minute]
- [2 minutes]
- [3 minutes]
- [4 minutes]
- [5 minutes]
- [10 minutes]
- [15 minutes]
- [30 minutes]
- [60 minutes]

## Constraints in Sleep Mode

This section explains constraints during sleep mode.

The printer may not enter the sleep mode if an error is displayed.

### Printer Driver Utility Constraints

When the printer goes into the sleep mode, the following constraints apply to the printer driver and utility functions.

When the printer goes into the sleep mode, press the <**POWER SAVE**> button on the operator panel and check that the screen displays the message "Ready To Print."

If the message "Ready To Print" is displayed, the following constraints do not apply.

OS	Software Name	Constraints in Sleep Mode
Windows	Configuration Tool	Cannot specify the network plug-in settings.
	Network Extension	Cannot connect to the printer.
	Driver Installer	If there is a connection with the network, you cannot automatically get printer option information when installing a driver.
Mac OS X	NIC setup tool	Cannot search the printer or adjust settings.

## Network Function Constraints

In the sleep mode, the following constraints apply to network functions:

### ■ Cannot Enter the Sleep Mode

In the following cases, the printer cannot enter the sleep mode:

- If IPsec is activated.
- If a TCP connection is being established.  
E.g.: If a connection is being established with Telnet or FTP.  
In the power save mode, the printer will go into the sleep mode if the connection is broken after some time passes.
- If a USB connection is being established.
- If receiving e-mails is activated.



- If you want to activate the sleep mode, please deactivate IPsec/receiving e-mail.

### ■ Cannot Print

In the sleep mode, you cannot print with the following protocols:

- NBT
- WSD Print

### ■ Cannot Search/Cannot Specify

In the sleep mode, you cannot search or specify settings with the following functions or protocols.:

- PnP-X
- UPnP
- LLTD
- MIB\*

\* You can reference through some supported MIB in the sleep mode (Get command).

## ■ Protocols with the Client Functions Do Not Work

In the sleep mode, the following protocols with client functions will not work:

- E-mail alerts\*<sup>1</sup>
- SNMP Trap
- WINS\*<sup>2</sup>

\*<sup>1</sup> Time that passes in the sleep mode is not included in the interval for periodic notification by E-mail alert.

\*<sup>2</sup> Time that passes in the sleep mode is not included in the intervals between WINS updates.  
Regular WINS updates are not carried out in the sleep mode, so the names registered on the WINS server may be deleted.

## ■ Sleep Mode changes to Power Save Mode Automatically

In the network environment under which a large amount of packets flow, the printer may automatically move from sleep mode to power save mode. When the time for entering sleep mode has elapsed, the printer automatically enters sleep mode.

## Protocols Needing the Sleep Mode to be Disabled

When using the following protocols, disable the sleep mode:

- IPv6
- NBT
- WSD Print

# ● Setting the Auto Power Off Time

! Note

- In the factory default, a printer does not enter the auto power off mode while connecting to the network.

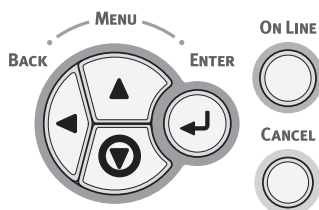
2

Printing Basic Operation

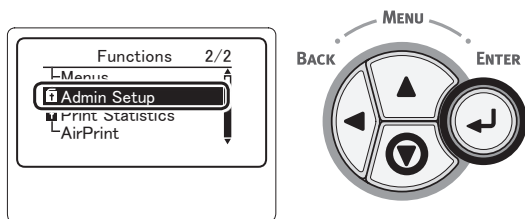
## Settings for Auto Power Off

To enable the auto power off mode while connecting to the network, perform the following procedure:

- 1 Press the scroll button ▼ on the operator panel.

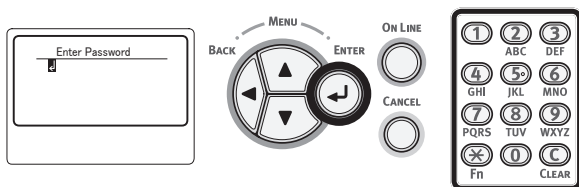


- 2 Press the scroll button ▼ several times to select [Admin Setup] then press the <ENTER> button.

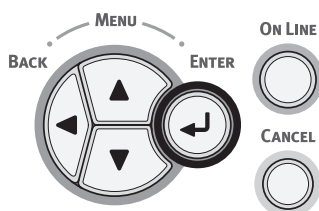


- 3 Enter the administrator password, using the ten-key pad.

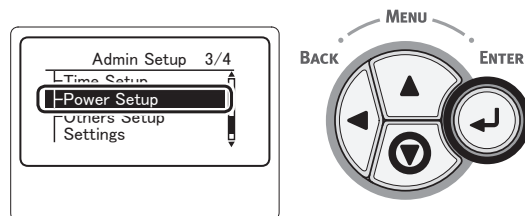
The factory default password is "aaaaaa." Press the <ENTER> button whenever inputting one character.



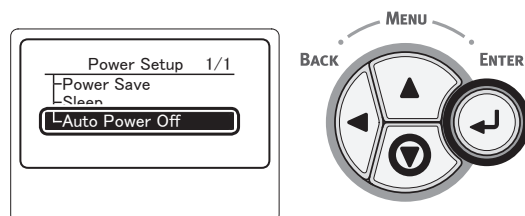
- 4 Press the <ENTER> button.



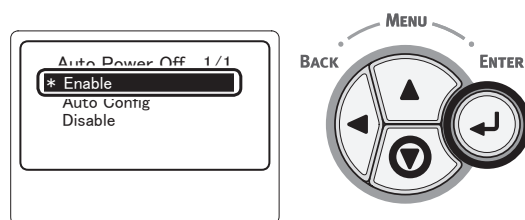
- 5 Press the scroll button ▼ several times to select [Power Setup] then press the <ENTER> button.



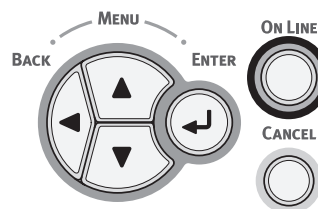
- 6 Press the scroll button ▼ several times to select [Auto Power Off] then press the <ENTER> button.



- 7 Press the scroll button ▼ or ▲ several times to select [Enable] then press the <ENTER> button.



- 8 Press the <ON LINE> button.

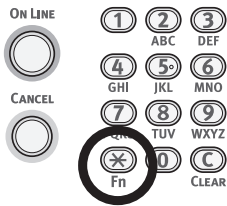


## Setting the Time that Elapses Before Entering the Auto Power Off Mode

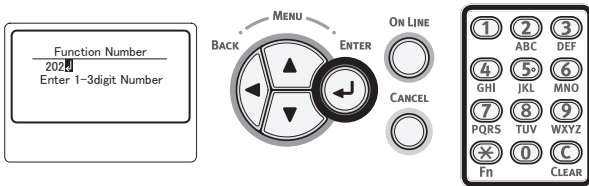
**Note**

- When the printer is in power saving mode, press the **<POWER SAVE>** button to restore from the mode.
- Make sure that the message "Ready To Print" is displayed in the operator panel. If the message is not displayed, press the **<ON LINE>** button.

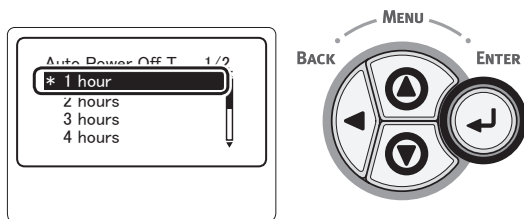
**1** Press the **<Fn>** key on the operator panel.



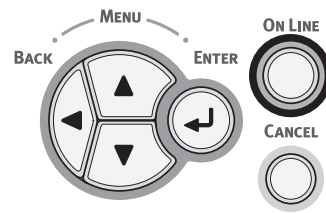
**2** Enter "202" using the ten-key pad, then press the **<ENTER>** button.



**3** Press the scroll button **▼** or **▲** to specify the time and then press the **<ENTER>** button.



**4** Press the **<ON LINE>** button.



**Memo**

- The auto power off time can be selected from among the options shown below. The factory default setting is 4 hours.
  - [1 hour]
  - [2 hours]
  - [3 hours]
  - [4 hours]
  - [8 hours]
  - [12 hours]
  - [18 hours]
  - [24 hours]

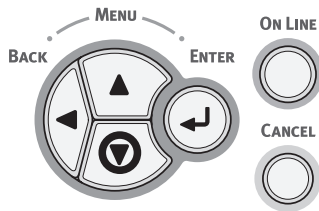
## ● Setting the Buzzer

You can specify whether to sound a buzzer when an invalid operation is performed on the operator panel or when an error occurs.

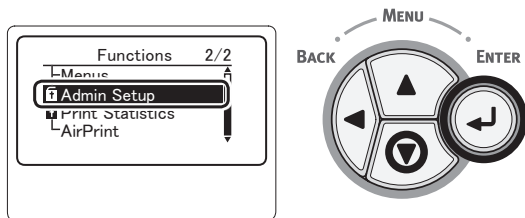
2

Printing Basic Operation

- 1 Press the scroll button ▼ on the operator panel.

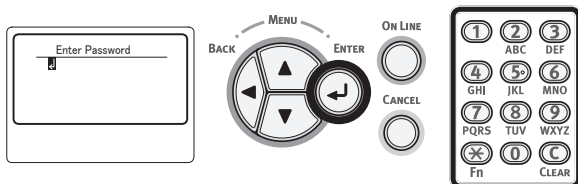


- 2 Press the scroll button ▼ several times to select [Admin Setup] then press the <ENTER> button.

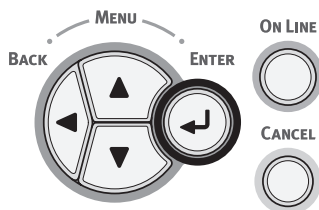


- 3 Enter the administrator password, using the ten-key pad.

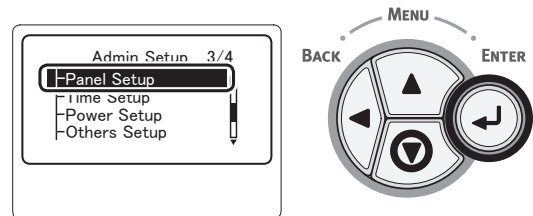
The factory default password is "aaaaaa." Press the <ENTER> button whenever inputting one character.



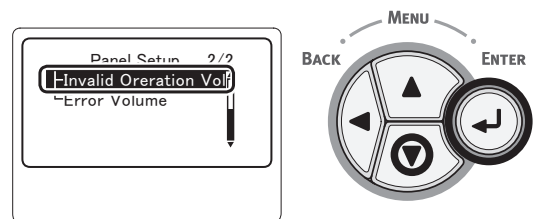
- 4 Press the <ENTER> button.



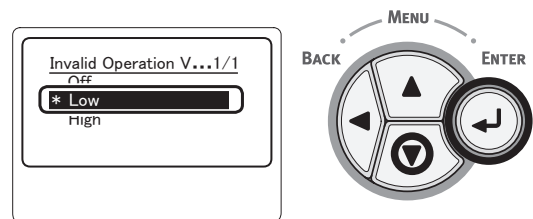
- 5 Press the scroll button ▼ several times to select [Panel Setup] then press the <ENTER> button.



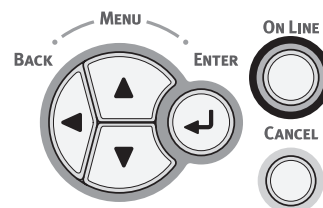
- 6 Press the scroll button ▼ several times to select [Invalid Operation Volume] or [Error Volume] then press the <ENTER> button.



- 7 Press the scroll button ▼ several times to select a desired option then press the <ENTER> button.

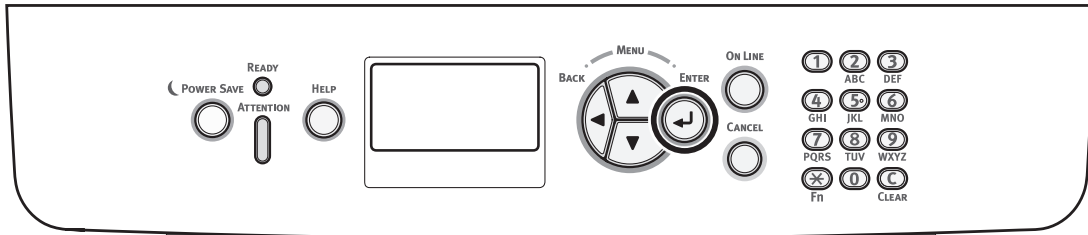


- 8 Press the <ON LINE> button to exit the menu mode.



## ● Checking the Printer's Status

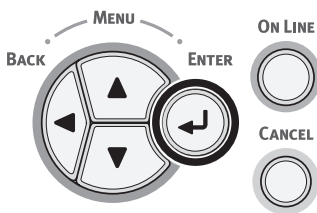
With the <ENTER> button on the operator panel, you can check the status of your printer.



### Checking the Device Status

You can check the residual life of the consumables, counter information, network settings and system information on the display screen.

- 1 Press the <ENTER> button on the operator panel.



- 2 Press the scroll button ▼ to select the item you want to check and then press the <ENTER> button.

# • Adding a Printer With the LPD Protocol (TCP/IP)

In MAC OS X environment, you can connect a PS printer with the LPD protocol (TCP/IP).

**Note**

- If your printer does not support the TCP/IP protocol, you cannot connect a printer with this method. Check whether your printer can be connected to the network with the TCP/IP protocol or not.

2

Printing Basic Operation

## Preparations

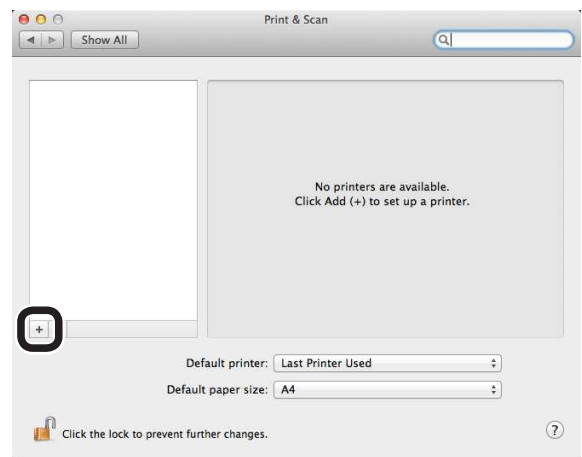
- 1 Check that the IP address, subnet mask, router address, etc, for the target Macintosh are set correctly and it is connected to the network with the TCP/IP.
- 2 Download the PPD installer for MAC OS X of the PS printer to be connected from OKI Data homepage, and unzip it. Then start the PPD installer to install the PPD on the Macintosh. If the PPD has been installed, this step is not required.
- 3 Set the IP address, subnet mask, gateway address, etc. on a PS printer to be connected. Keep the power of the printer on for the printer being connected to the TCP/IP network.

## Procedures for Adding a Printer

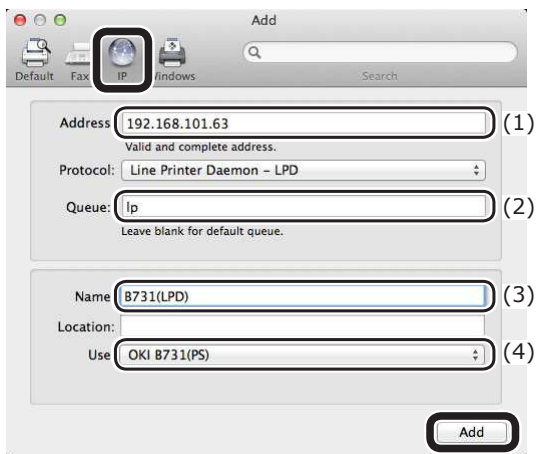
- 1 Open the System Preferences of Macintosh, click [**Print & Scan**] to open the [**Print & Scan**] dialog box.



- 2 Click [**+**] to open the [**Add**] dialog box.



3 Select [IP] to display the screen below. Enter data in [Address:], [Queue:], and [Name:] then check that *your printer* is selected in [Use:] and click [Add].



- (1) Enter the IP address assigned to the printer.
- (2) Enter [lp] in [Queue:].
- (3) At first, the IP address entered in (1) is displayed. You can enter any name. B731(LPD) is displayed as an example here.
- (4) *Your printer (PS)* is displayed automatically in [Use:]. If communication is not performed correctly with the printer, it is not automatically selected.

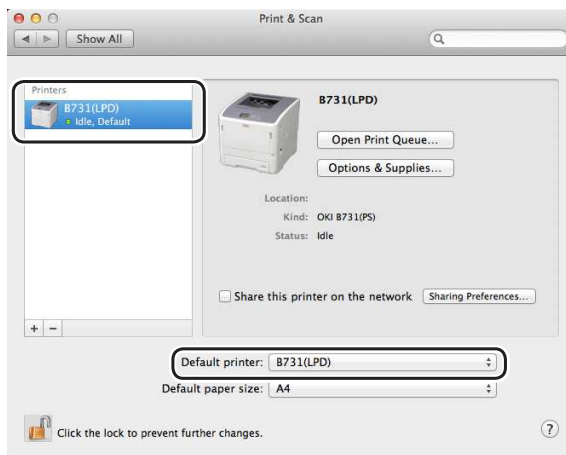
**Note**

- If you use Mac OS X 10.7 or later, the driver is not automatically selected when the printer is in the sleep mode. Please restore the printer from the sleep mode, and enter data in [Address].

4 Perform optional settings for the printer, and click [OK].



5 Return to the [Print & Scan] dialog box. *Your printer (LPD)* is added to the printer list. Select *your printer (LPD)* in [Default printer].



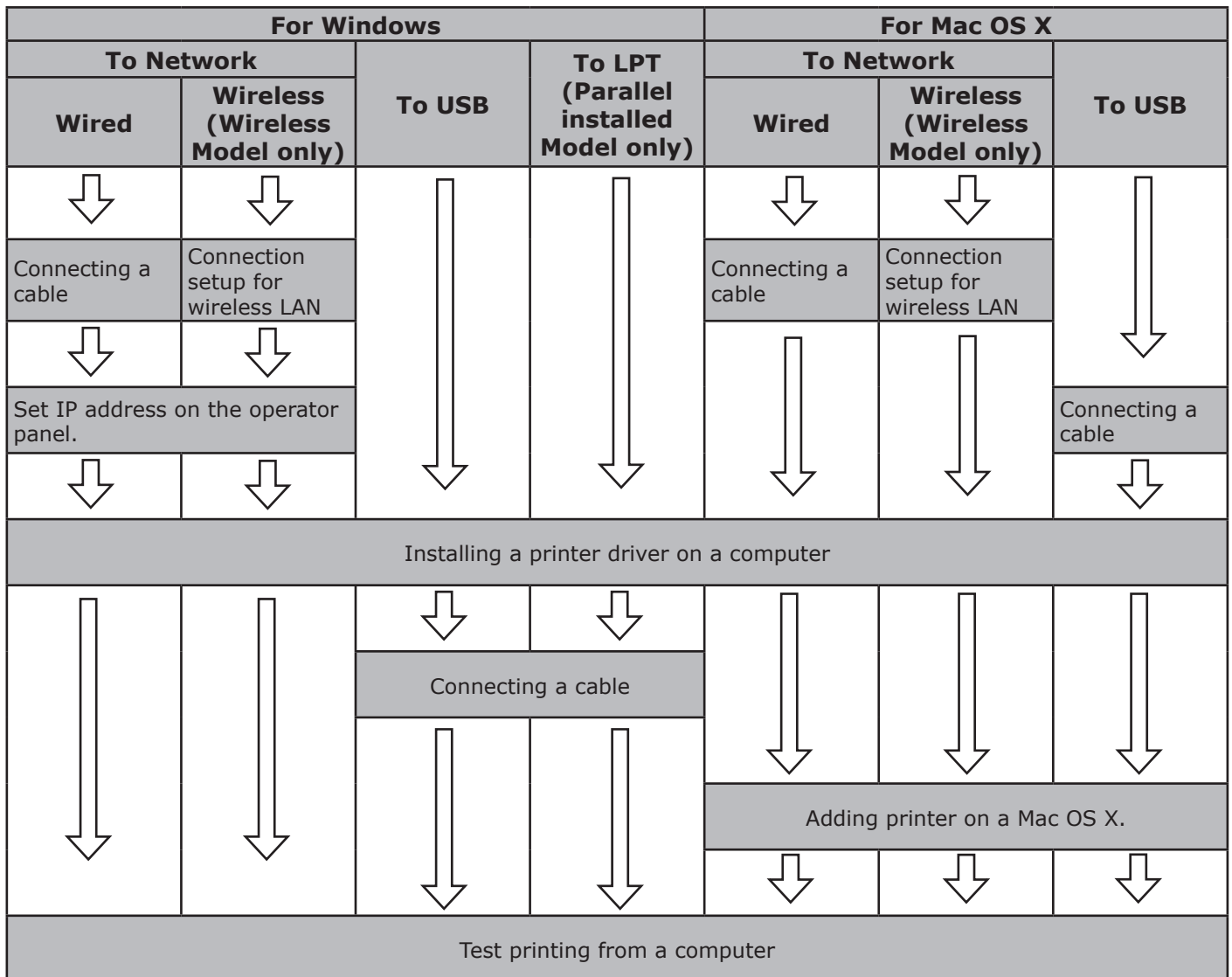
*Your printer* is used for printing as default. Procedures for adding a printer are completed. Close the [Print & Scan] dialog box.

# 3. Printing

## ● Flow of Installing the Printer Driver on a Computer

To print from a Windows or Mac OS X computer, you must install the printer-driver software in your computer, using the supplied software DVD, as shown in the figure below.

3  
Printing



### ■ Product Requirements

Windows 8, Windows Server 2012, Windows 7, Windows Server 2008 R2

Windows Vista, Windows Server 2008, Windows XP, Windows Server 2003

Mac OS X 10.4 to 10.8

## ■ Types of Drivers

### For Windows

Type	Description
PCL	The PCL printer driver is suitable for printing of business documents.
PS	The PS printer driver is suitable for printing of documents including PostScript fonts and EPS data.
XPS	The XPS printer driver is suitable for printing from an application for XPS. Windows XP and Windows Server 2003 are not supported.

### For Mac OS X

Type	Description
PS	The PS printer driver is suitable for printing of documents including PostScript fonts and EPS data. It can be also used for normal printing.

# ● Product Requirements

## Product Requirements for Windows

- Windows 8
- Windows Server 2012
- Windows 7
- Windows Server 2008 R2
- Windows Vista
- Windows Server 2008
- Windows XP
- Windows Server 2003

**! Note**

- This printer does not work with Windows 3.1/NT3.51/NT4.0/Me/98/95/2000.
- Depending on the printer driver version, the description may be different.

## Product Requirements for Macintosh

**! Note**

- Depending on the printer driver version, the description may be different.
- Mac OS X 10.4–10.8

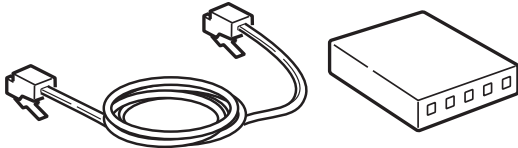
## ● Connecting to a Computer

### Connecting Using Wired LAN

#### 1 Prepare an Ethernet cable and a hub.

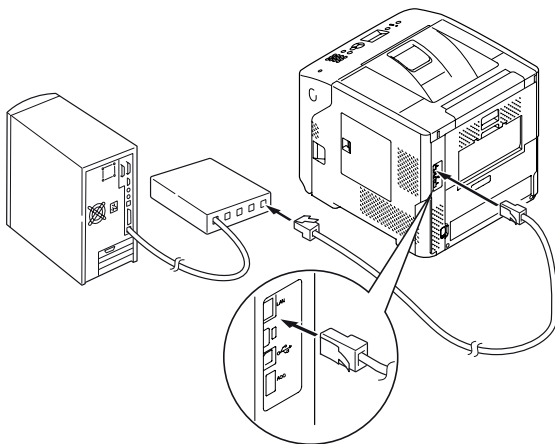
**Note**

- An Ethernet cable and a hub are not supplied with this printer. Prepare an Ethernet cable (category 5e, twisted pair, straight) and a hub separately.



#### 2 Connect this printer to Network.

- (1) Plug one end of the Ethernet cable into the network interface connection of the printer.
- (2) Plug the other end of the Ethernet cable into the hub.



**Reference**

- If there is DHCP server on the network to which this printer is to be connected, the IP address will be automatically obtained on the printer each time it is turned on. If the IP address of this printer is changed, perform the network setting again. With OKI LPR utility, the network setting will be automatically performed if the IP address of this printer is changed. For details, refer to "User's Manual (Advanced)."

### Connecting Using Wireless LAN (Wireless Model Only)

**Memo**

- On some models, this function cannot be used.

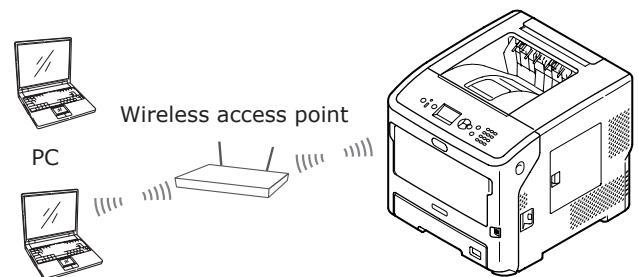
#### 1 Check the Wireless LAN environment.

Check whether the access point of the wireless LAN supports WPS or not by referring to the instruction manual for the access point of the Wireless LAN.

- If it supports WPS: The printer is automatically connected.
- If it does not support WPS: The setting data for the wireless LAN must be entered on the printer manually.

**Note**

- This product supports infrastructure mode. Ad-hoc mode is not supported. Be sure to prepare the access point.
- This printer supports Wireless LAN Standard IEEE 802.1b/g/n. It does not support IEEE 802.11a. The access point must operate with the Wireless LAN Standard supported by this printer.
- This product cannot connect to a wired LAN and wireless LAN at the same time. To connect to the wireless LAN, remove the network cable from this product.



#### 2 Check that the access point of the wireless LAN is turned on and is operating normally.

#### 3 Place the printer near the access point of the wireless LAN.

For the accessible distance between the printer and the access point of the wireless LAN, refer to the operation manual for the access point of the wireless LAN.

#### 4 Turn on the printer.

- 5 If the access point of the wireless LAN checked in step 1 supports WPS, the printer is automatically connected. Go to "WPS-PBC" P.58.

If it does not support WPS, you must enter the setting data for the wireless LAN on the printer manually. Go to "Configuring manually" P.63.

## Terminology

- **SSID**

An ID used to identify the connection destination network. Wireless communications can be used by setting this product with the SSID of the connection destination wireless access point.

- **Security Settings**

When using a wireless LAN, security settings can be configured to prevent the transmitted information from being intercepted or illegal access to the network. The security settings need to be configured to the same settings as the wireless access point.

- **WPS**

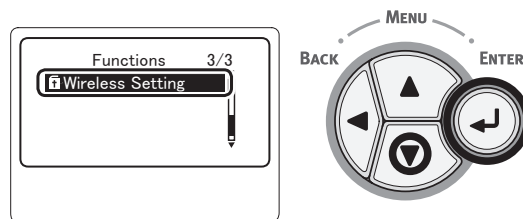
A wireless LAN setting method provided by Wi-Fi Alliance, a wireless LAN industry group. There are two available methods, a push button method and PIN code method, and in the push button method the wireless LAN settings can easily be configured simply by pressing a [WPS] button on the wireless access point. In the PIN code method, the wireless LAN settings can easily be configured by registering the 8-digit number assigned to this product to the wireless access point.

- **Infrastructure mode**

This mode communicates through the wireless access point. This product does not support the ad-hoc mode in which communication is performed directly with the computer.

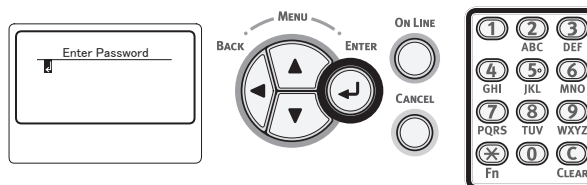
## ■ WPS-PBC

- 1 Press the scroll button ▼ to select [Wireless Setting] and then press the <ENTER> button.

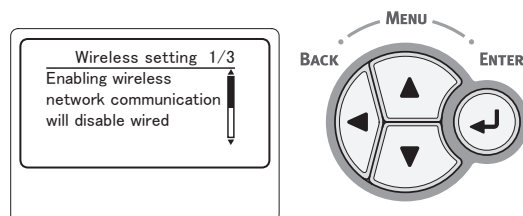


- 2 Enter the administrator password using the ten-key pad, then press the <ENTER> button.

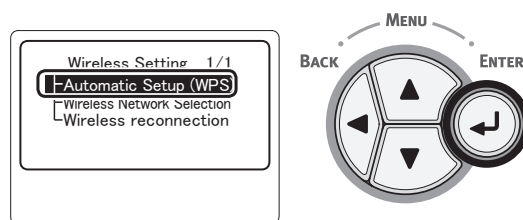
The factory default password is "aaaaa". Press the <ENTER> button whenever inputting one character.



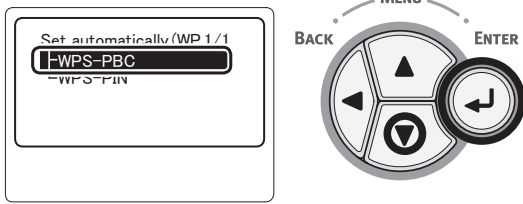
- 3 When the display shown below appears, read it carefully. Press the <ENTER> button or wait until the display changes.



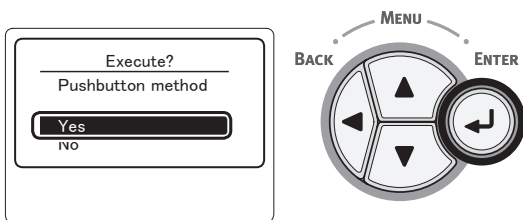
- 4 Check that [Automatic Setup (WPS)] is selected and then press the <ENTER> button.



- 5 Check that [**WPS-PBC**] is selected and then press the <ENTER> button.



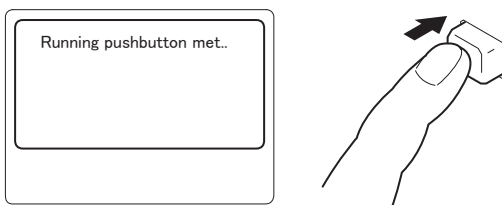
- 6 Select [**Yes**] and then press the <ENTER> button.



**Memo**

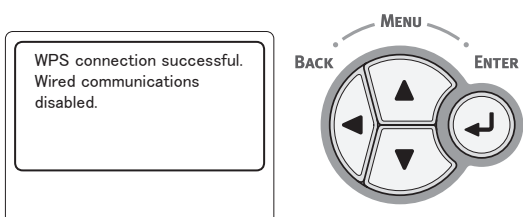
- If [**No**] is selected, the screen returns to that from step 5.

- 7 When [**Running pushbutton method...**] is displayed, press and hold the push button on the access point of the Wireless LAN for several seconds then release it.



**! Note**

- [**Running pushbutton method...**] is displayed for about two minutes. Press and hold the push button on the access point of the Wireless LAN while it is displayed.
- For the position of the push button on the access point of the Wireless LAN and how long it should be held pressed, refer to the operation manual for the access point of the Wireless LAN.
- While [**Running pushbutton method...**] is displayed, the printer cannot be operated.
- When [**WPS Connection successful**] is displayed, this equipment is connected to the wireless LAN.

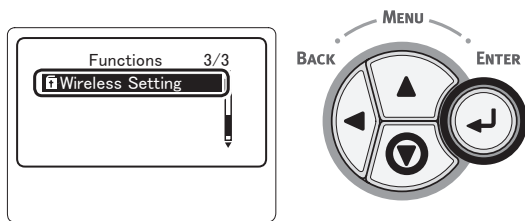


**Memo**

- If [**Timeout**] is displayed, it is possible that the access point of the connection destination could not be found within the time limit. Redo from step 6.
- If [**Overlap**] is displayed, WPS-push button is being executed on 2 or more access points. Please wait for a short time and then retry.

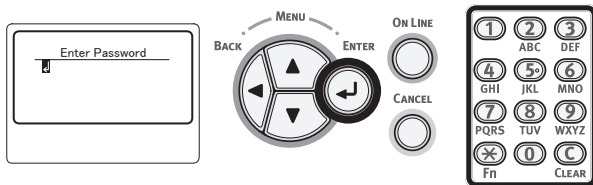
### ■ WPS-PIN

- 1 Press the scroll button ▼ to select [**Wireless Setting**] and then press the <ENTER> button.

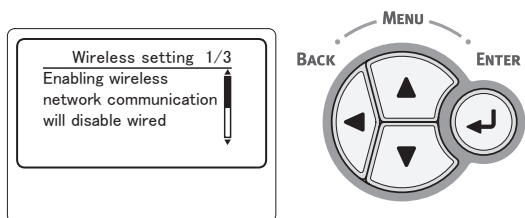


- 2 Enter the administrator password using the ten-key pad, then press the <ENTER> button.

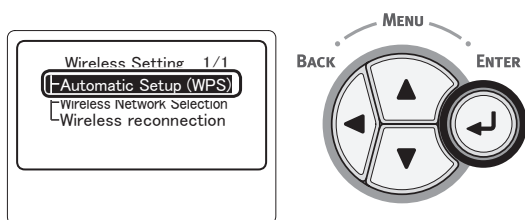
The factory default password is "aaaaaa". Press the <ENTER> button whenever inputting one character.



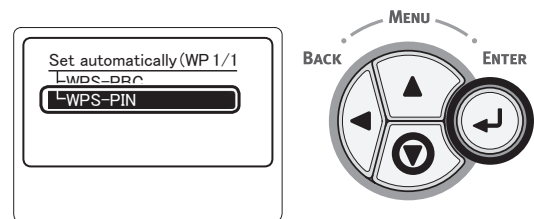
- 3 When the display shown below appears, read it carefully. Press the <ENTER> button or wait until the display changes.



- 4 Check that [**Automatic Setup (WPS)**] is selected and then press the <ENTER> button.



- 5 Press the scroll button ▼ to select [**WPS-PIN**] and then press the <ENTER> button.

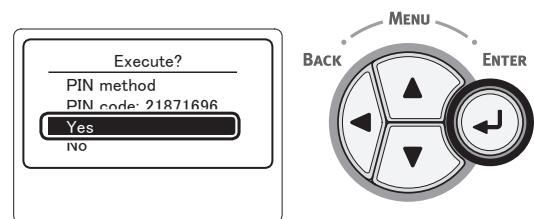


- 6 Set the 8-character PIN code displayed on the display screen on the access point and start WPS-PIN.

**Note**

- After pressing the button, immediately perform step 7.
- The PIN code input method and WPS-PIN starting method differ depending on the access point. For details, refer to the instruction manual for the access point.

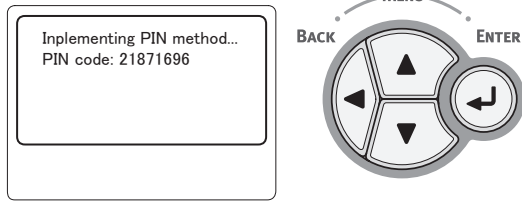
- 7 Select [**Yes**] and then press the <ENTER> button.



**Memo**

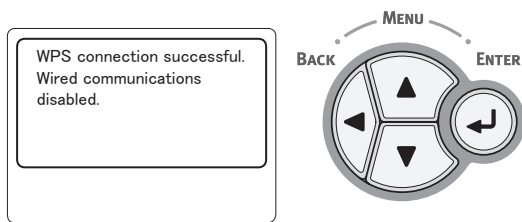
- If [**No**] is selected, the screen returns to that from step 5. Each time the confirmation screen is displayed, the PIN code is automatically generated and changed.

**8 [Implementing PIN method...]** is displayed on the screen.



**Note**

- Panel operations cannot be performed during WPS execution.
- When **[Connection successful]** is displayed, this equipment is connected to the wireless LAN.



**Memo**

- If **[Timeout]** is displayed, it is possible that the access point of the connection destination could not be found within the time limit. After entering the PIN code from this equipment into the access point and starting WPS-PIN, select **[Yes]** in step 7 again within 2 minutes.

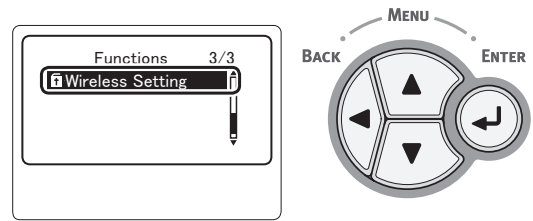
**■ Search for a wireless access point**

If the wireless access point does not support the WPS, search for valid access points and you will be able to connect to any that are among the search results. Encryption key information will be required.

**Memo**

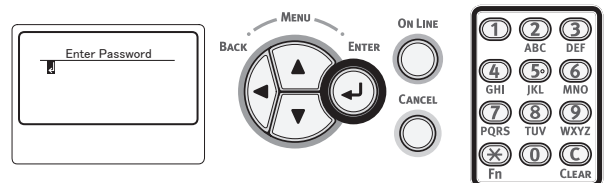
- Encryption key: Encryption key is a key to encrypt data in wireless LAN. Also called as Network key or Security key.

- 1 Press the scroll button **▼** to select **[Wireless Setting]** and then press the **<ENTER>** button.

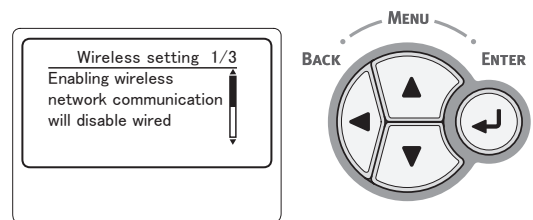


- 2 Enter the administrator password, using the ten-key pad, then press the **<ENTER>** button.

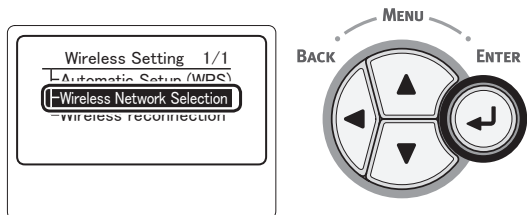
The factory default password is "aaaaaa". Press the **<ENTER>** button whenever inputting one character.



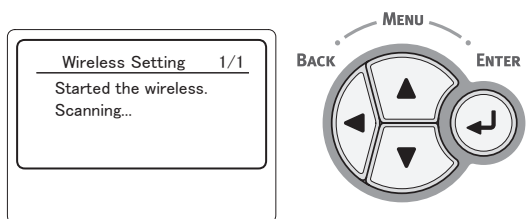
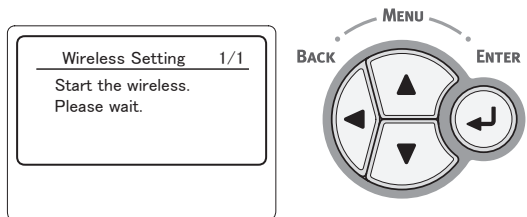
- 3 When the display shown below appears, read it carefully. Press the **<ENTER>** button or wait until the display changes.



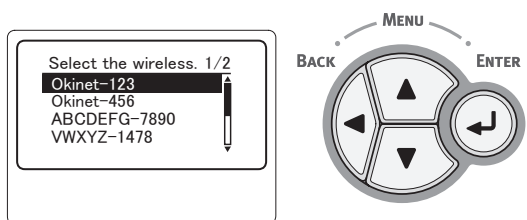
- 4 Press the scroll button ▼ to select [**Wireless Network Selection**] and then press the <ENTER> button.



- 5 The product starts to search the wireless access point.



- 6 A list of access points found by the search will be displayed. Using the ▼, ▲ keys, select the access point you want to connect to, then press <ENTER> button.



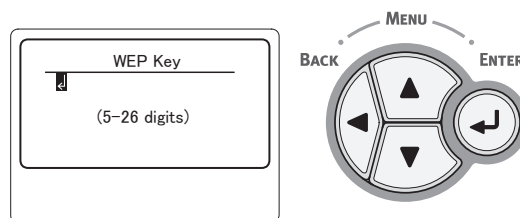
**Note**

- When unable to detect the access point, only "Manual Setup" will be displayed. Please set according to "Configuring manually" P.63.

- 7 You will be prompted by the security of the selected access point to enter a password.

- With WEP

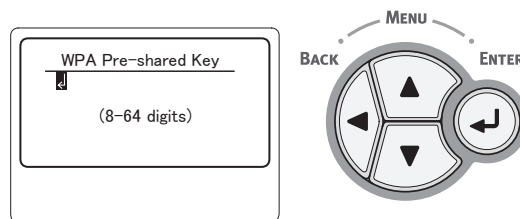
[Enter the WEP key] will be displayed. Enter the encryption key using the ◀, ▶, ▼, ▲ and press <ENTER> button.



Proceed to Step 8

- With WPA-PSK or WPA2-PSK

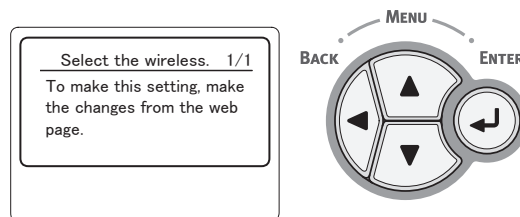
[Enter the Pre-shared key] will be displayed. Enter the encryption key using the ◀, ▶, ▼, ▲ and press <ENTER> button.



Proceed to Step 8

- With WPA-EAP or WPA2-EAP

Settings can only be made from Web Page.

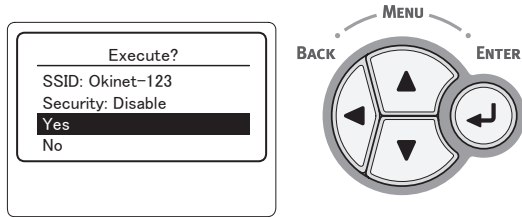


- With Disable

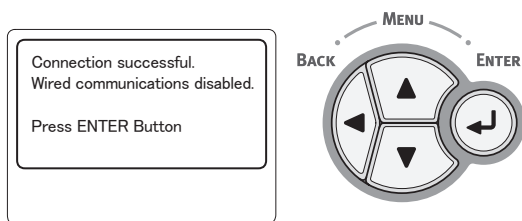
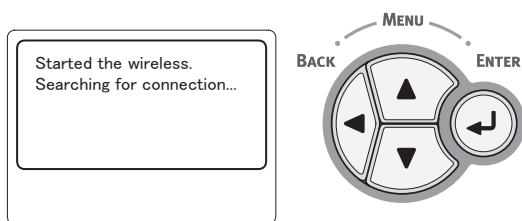
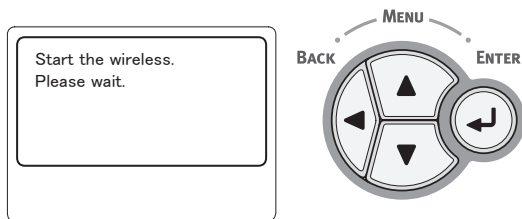
The password input screen will not be displayed.

Proceed to Step 8

- 8 Check the contents in the confirmation screen. If there is no problem, select [**Yes**], and press <ENTER> button.

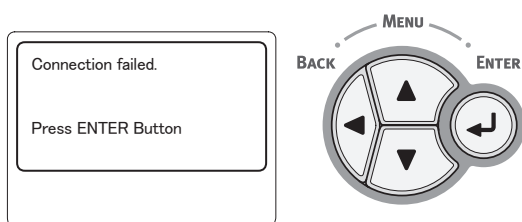


Connection successful will be displayed once you have successfully connected to the wireless LAN.



Then the printer driver and others need to be installed to the computer. Refer to the User's manual.

If the connection failed, the [**Connection failed**] is displayed in five seconds and then go back and repeat again from step 1.



## ■ Configuring manually

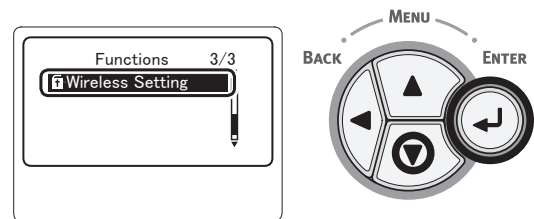
- 1 Check and write down the SSID, encryption scheme, and cryptography key.

You can check the SSID, encryption scheme, and cryptography key in the instruction manual for the access point of the Wireless LAN.

**! Note**

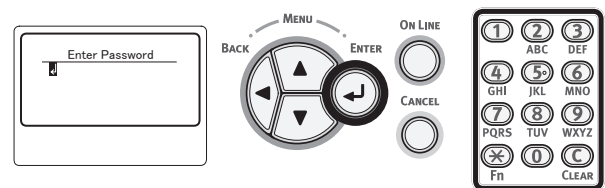
- It is necessary to set the same SSID, encryption scheme, and cryptography key for the access point of the Wireless LAN on the printer.
- The SSID, encryption scheme, and cryptography key are essential for the Wireless LAN connection. Be sure to check them.

- 2 Press the scroll button ▼ to select [**Wireless Setting**] and then press the <ENTER> button.

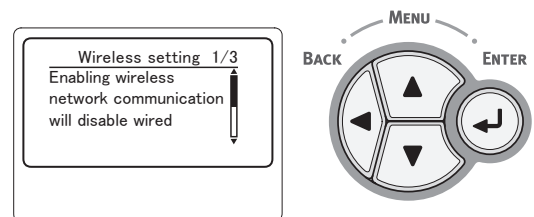


- 3 Enter the administrator password, using the ten-key pad, then press the <ENTER> button.

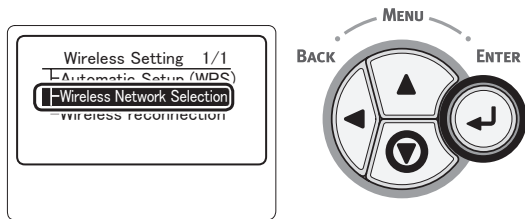
The factory default password is "aaaaaa". Press the <ENTER> button whenever inputting one character.



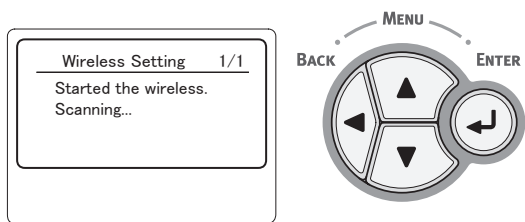
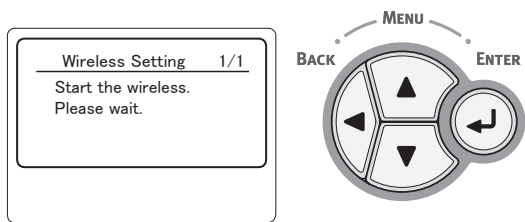
- 4 When the display shown below appears, read it carefully. Press the <ENTER> button or wait until the display changes.



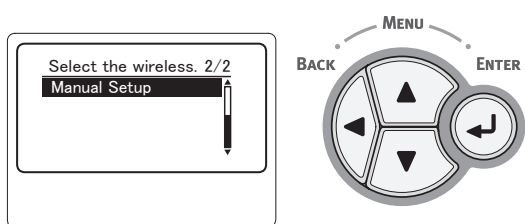
- 5 Press the scroll button ▼ to select [**Wireless Network Selection**] and then press the <ENTER> button.



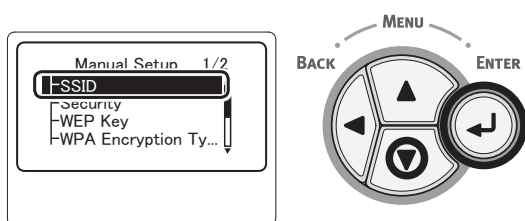
- 6 The product starts to search the wireless access point.



- 7 A list of access points found by the search will be displayed. Select [**Manual Setup**] at the bottom of the list, and press <ENTER> button.



- 8 Press the scroll button ▼ to select [**SSID**] and then press the <ENTER> button.



- 9 Enter the SSID checked in step 1, using the ten-key pad.

Memo

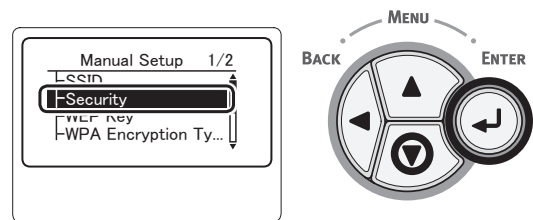
- Symbols such as “\_ (underscore)” are entered using the \* key.

Note

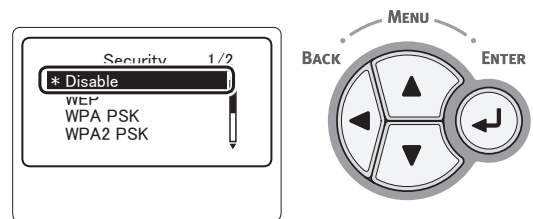
- Characters are case sensitive. Enter them correctly.

- 10 Once you have finished entering the characters, press the <ENTER> button.

- 11 Press the scroll button ▼ to select [**Security**] and then press the <ENTER> button.



- 12 Select the security type checked in step 1.



Memo

- The default is [**Disable**]
- Depending on the model of access point mixed WPA-PSK/WPA2-PSK may be supported. In this case, select the WPA2-PSK.

If WEP is selected, go to “13-(1) When WEP is selected:”.

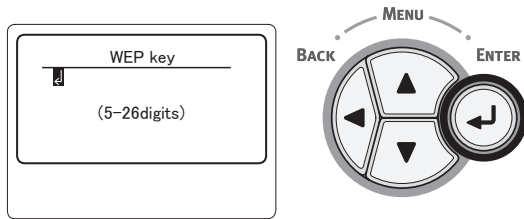
If WPA-PSK or WPA2-PSK is selected, go to “13-(2) When WPA-PSK or WPA2-PSK is selected:”.

Memo

- Security settings (WPA-EAP/WPA2-EAP) using an authentication server are also supported, but this can only be set from the Web. For details, refer to User's Manual (Advanced). Depending on the security setting selected in step 12, execute the settings from either (1) or (2) below. If [**Disable**] is selected, proceed to step 14. (For security reasons, we do not recommend setting [**Disable**].)

**13-(1)** When WEP is selected:

- a) Press the <ENTER> button on the WEP Key input screen.

**! Note**

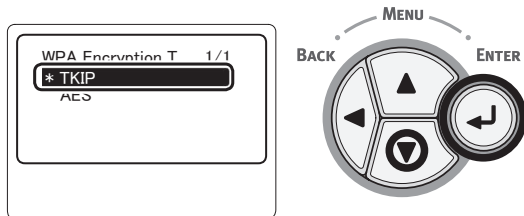
- There is not setting for the WEP Key index. The WEP Key index communications with the access point as 1.
- b) Enter the same Key as the WEP Key set for the access point that you want to connect to.

**Memo**

- After entering the Key, the key is displayed as "\*" symbols for security reasons.

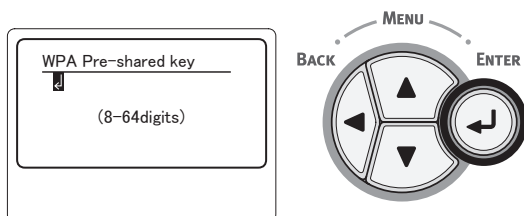
**13-(2)** When WPA-PSK or WPA2-PSK is selected:

- a) Press the <ENTER> button to select WPA Encryption Type and then press the <ENTER> button.

**Memo**

- The default is [TKIP].
- If the encryption scheme for the access point of the Wireless LAN is WPA-PSK, select THIP. If it is WPA2-PSK, select AES.

- b) Press the <ENTER> button on WPA Pre-shared key input screen.

**! Note**

- Characters are case sensitive. Enter them correctly.

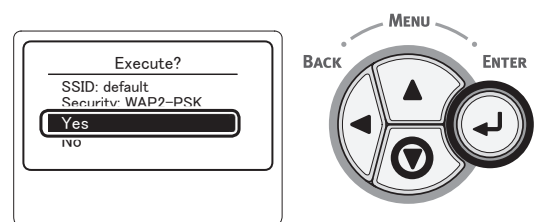
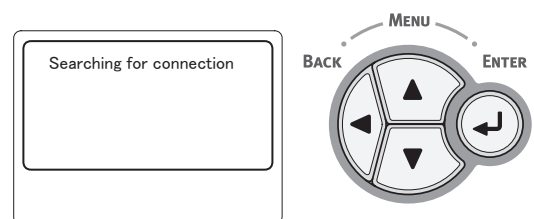
- c) Enter the same Key as the Pre-shared Key set for the access point that you want to connect to.

**Memo**

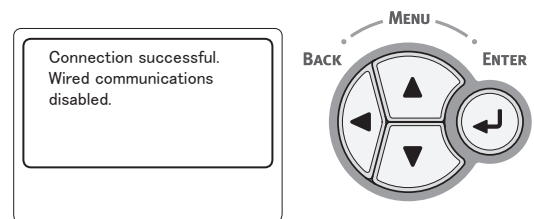
- After entering the Key, the key is displayed as "\*" symbols for security reasons.

**14** In the confirmation screen, check the entered SSID and selected security settings.

If there are no problems, press the scroll button ▼ to select [Yes] and then press the <ENTER> button.

**15** [Searching for connection] is displayed on the screen.

When [Connection successful] is displayed, this equipment is connected to the wireless LAN.

**Memo**

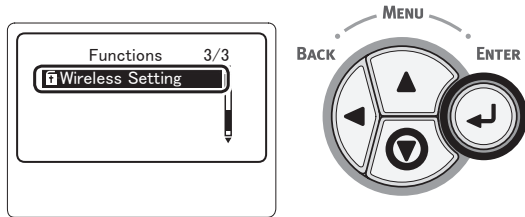
- If [Timeout] is displayed, the connection destination access point may not have been found within the specified time. Check that SSID, security settings, and Key settings, and retry.

### ■ Reconnect to the wireless LAN

When the wireless is enabled, restart the wireless function. If a problem has occurred in the access point communication or performance, the wireless function can be restarted.

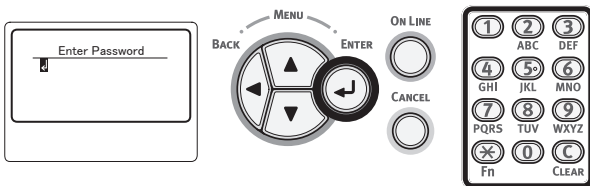
(If the wired is enabled, the wireless function is enabled with the configured wireless settings.)

- 1 Press the scroll button ▼ to select [**Wireless Setting**] and then press the <ENTER> button.

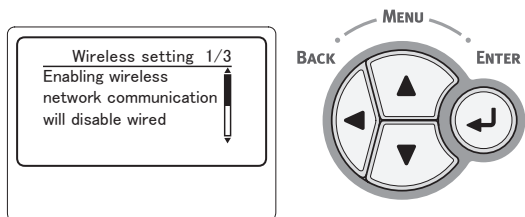


- 2 Enter the administrator password using the ten-key pad, then press the <ENTER> button.

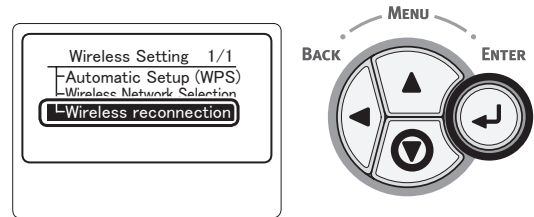
The factory default password is "aaaaaa". Press the <ENTER> button whenever inputting one character.



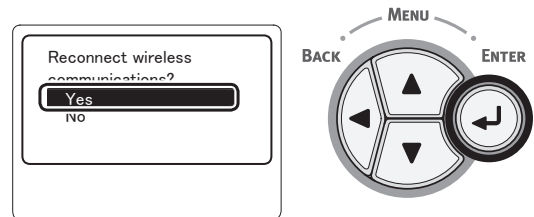
- 3 When the display shown below appears, read it carefully. Press the <ENTER> button or wait until the display changes.



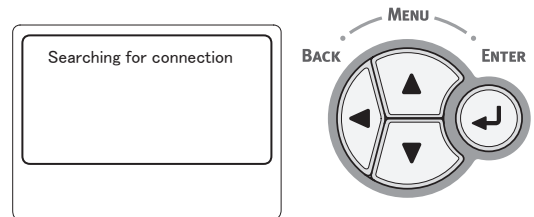
- 4 Press the scroll button ▼ to select [**Wireless reconnection**] and then press the <ENTER> button.



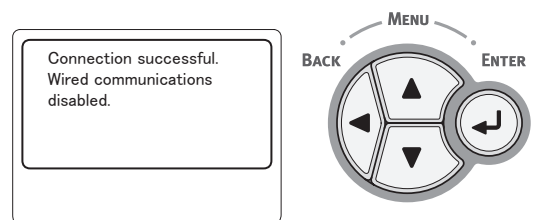
- 5 Select [**Yes**] and then press the <ENTER> button.



- 6 When [**Yes**] is selected in step 5, [**Searching for connection**] is displayed on the screen.



After this, [**Connection successful**] is displayed, and the wireless LAN can be used on this equipment.



**Memo**

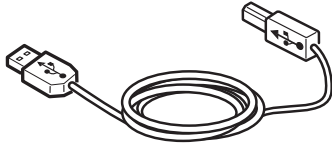
- If [**Timeout**] is displayed, the connection destination access point may not have been found within the specified time. The SSID, security settings, and Key need to be configured to match the access point settings.
- Check each of the settings. For details on each of the setting items, refer to "List of Setup Menu" in the User's Manual (Advanced).

## Connecting a USB Cable

### 1 Procure a USB cable.

**Note**

- No USB cable is supplied with this printer. Procure a USB cable with the USB2.0 specifications separately.
- To use Hi-Speed mode of USB2.0, a USB cable with the Hi-Speed specifications is required.



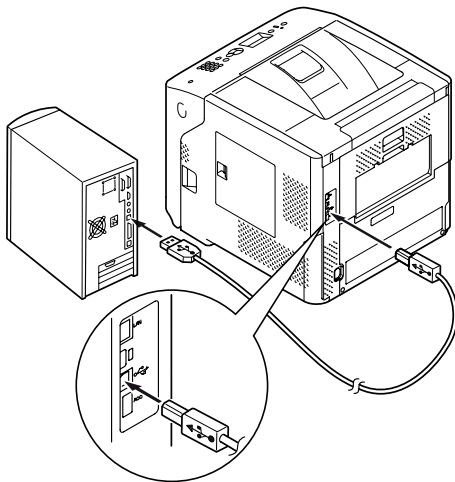
### 2 Connect the USB cable.

- (1) Plug one end of the USB cable into the USB interface connection of the printer.

**Note**

- Be careful not to plug the USB cable into the network interface connection. It may cause a malfunction.

- (2) Plug the other end of the USB cable into the USB interface connection of the computer.



## Connecting a Parallel Cable

**Note**

- Parallel cable connection is available only with models with the parallel interface connection. (Parallel installed model only)

### 1 Procure a parallel cable.

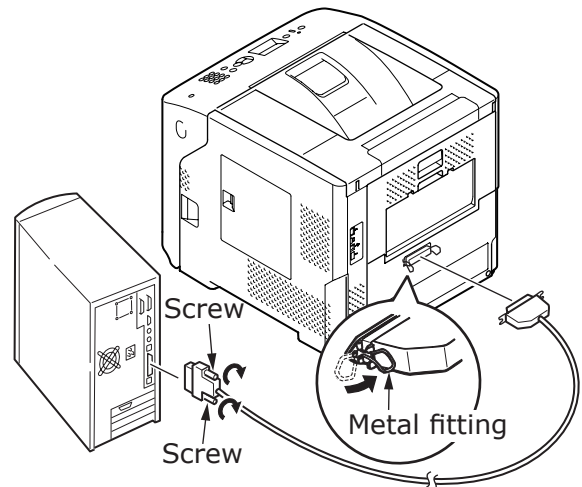
**Note**

- A parallel cable is not supplied with the printer. Procure one separately.



### 2 Connect the parallel cable.

- (1) Plug one end of the parallel cable into the parallel interface connection of the printer.
- (2) Plug the other end of the parallel cable into the parallel interface connection of the computer.



# ● Installing a Printer Driver (for Windows)

If the printer is connected with the computer using a USB or parallel cable, proceed to "Installing a Printer Driver" P.70.

## Preparations for Network Connection

### Installing a Printer Driver (for Windows)

To complete the network connection with a Windows computer, first set IP addresses for the printer, and then install a printer driver on the computer.

If there is no DHCP server or BOOTP server on the network, you need to manually configure the IP address on the computer or printer.

If your network administrator or internet service provider specifies an unique IP address for the computer and your printer, you need to set the IP addresses manually.

**Note**

- You need to complete the network setting of the computer before this procedure.
- To complete this procedure, you must be logged in as an administrator.
- When setting an IP address manually, ask the network administrator or your internet service provider which IP address to use. If the IP address is set wrong, the network may go down or Internet access may be disabled.

**Memo**

- If configuring a small network consisting of only your printer and a computer, set IP addresses as shown below (according to RFC1918).

**For the computer**

IP address : 192.168.0.1 - 254  
 Subnet mask : 255.255.255.0  
 Default gateway : not used  
 DNS server : not used

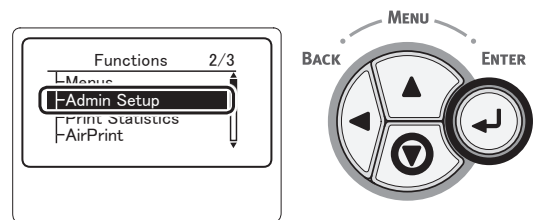
**For the printer**

IP address Set : Manual  
 IP address: 192.168.0.1 - 254 (select a different value from that of the computer)  
 Subnet Mask : 255.255.255.0  
 Default Gateway : 0.0.0.0  
 Network Scale : Small

- To set [Network Scale], press the <ENTER> button and then select [Admin Setup] > [Network Setup] > [Network Scale].

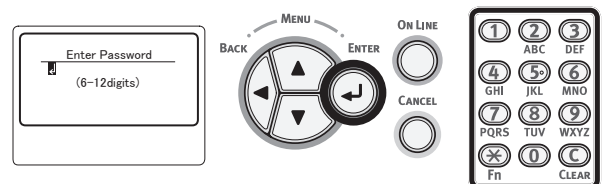
### ■ First, Set the IP address of the printer.

- 1 Turn on the printer.
- 2 Press the <ENTER> button on the operator panel.
- 3 Press the scroll button ▼ to select [Admin Setup], and press the <ENTER> button.

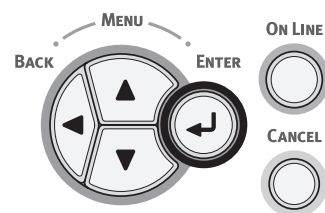


- 4 Enter the administrator password, using the ten-key pad.

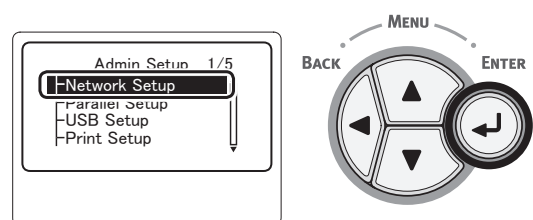
The factory default password is "aaaaa". Press <ENTER> button after each character you input.



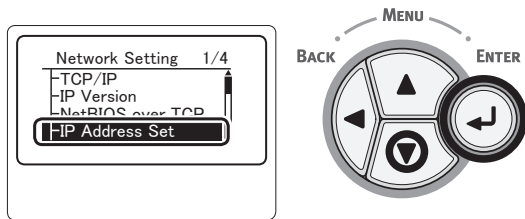
- 5 Press the <ENTER> button.



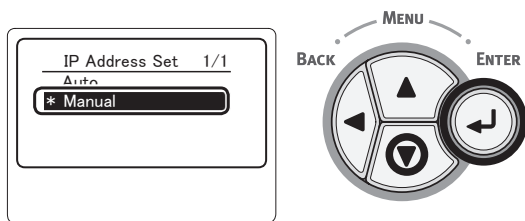
- 6 Check that [Network Setup] is selected and press the <ENTER> button.



- 7 Press the scroll button ▼ to select [**IP Address Set**], and press the <ENTER> button.

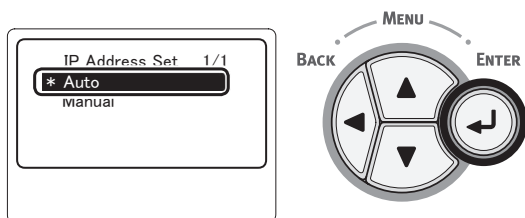


- 8 If setting the IP address manually, press the scroll button ▼ and select [**Manual**], and press the <ENTER> button. Proceed to step 9.

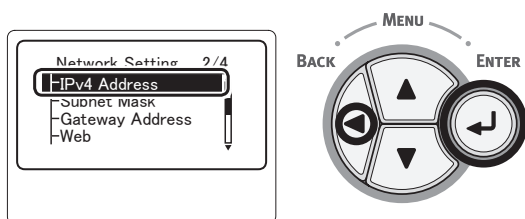


If obtaining the IP address automatically, check that [**Auto**] is selected, and press the <ENTER> button.

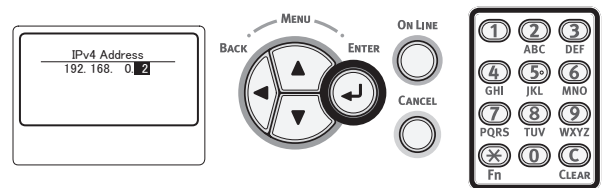
Proceed to step 15.



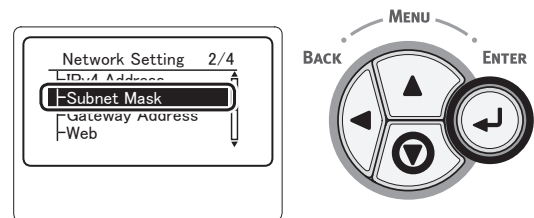
- 9 Press the <BACK> button until [**Network Setup**] is displayed. Press the scroll button ▼ to select [**IPv4 Address**], and press the <ENTER> button.



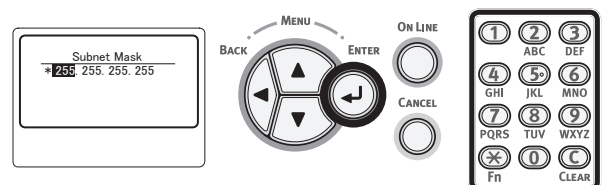
- 10 Enter the IP address using the ten-key pad, and press the <ENTER> button. To move to the next box, press the <ENTER> button.



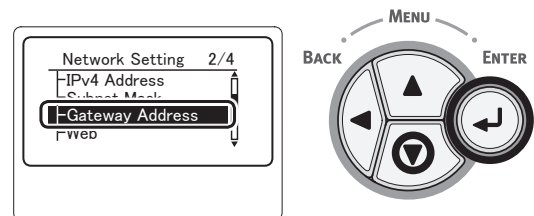
- 11 Press the <BACK> button until [**Network Setup**] is displayed. Press the scroll button ▼ to select [**Subnet Mask**], and press the <ENTER> button.



- 12 Enter the subnet mask in the same manner as IP address. To move to the next box, press the <ENTER> button.



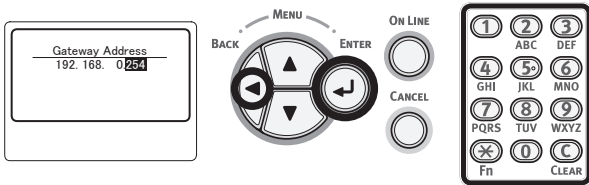
- 13 Press the <BACK> button until [**Network Setup**] is displayed. Press the scroll button ▼ to select [**Gateway Address**], and press the <ENTER> button.



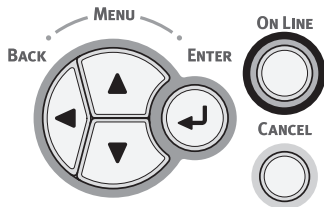
**14** Enter the default gateway address and press the **<ENTER>** button.

To move to the next box, press the **<ENTER>** button.

After entering all settings, press the **<BACK>** button.



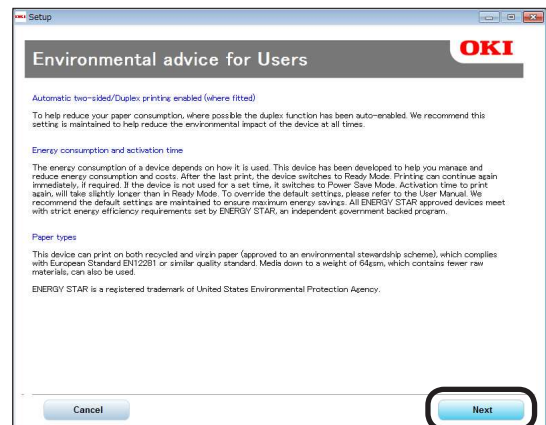
**15** When the setup menu screen is displayed, press the **<ON LINE>** button to complete the network settings.



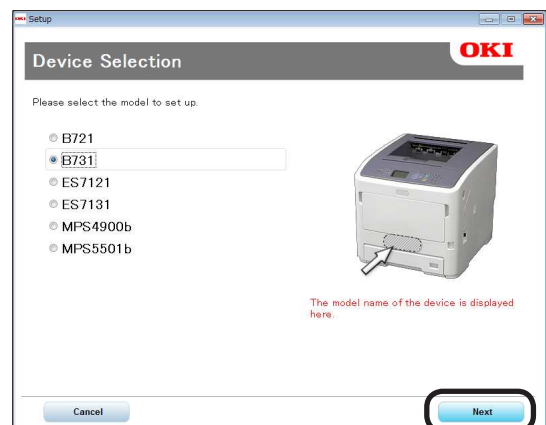
3  
Printing

## Installing a Printer Driver

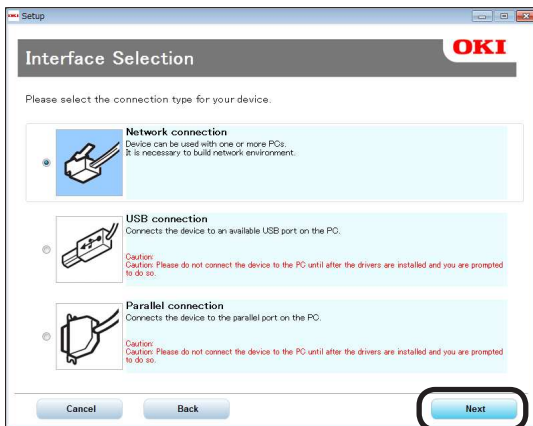
- 1** When a network connection is used, make sure that the printer is turned on. When a USB connection is used, make sure that the printer is turned off.
- 2** Start up Windows then load the "Software DVD-ROM" supplied with the printer into the computer.
- 3** Click [**Run Setup.exe**] after [**Auto Play**] is displayed.
- 4** If the [**User Account Control**] dialog box is displayed, click [**Yes**].
- 5** Select a language to be used, carefully read [**Software License Agreement**], and then click [**Agree**].
- 6** Read "**Environmental advice for Users**" then click [**Next**].



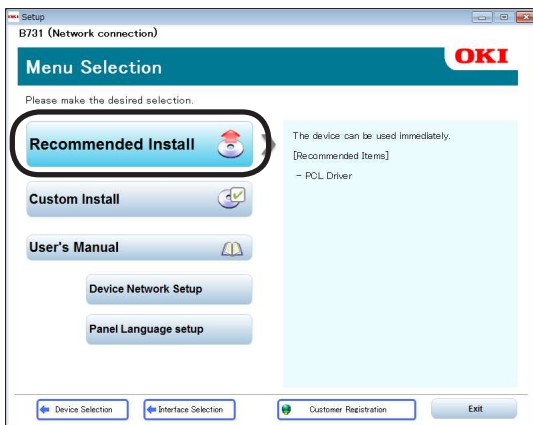
**7** Select a model to be used then click [**Next**].



- 8 Select a connection method then click [**Next**].



- 9 Click [**Recommended Install**].



Memo

- To install a PS driver or XPS driver, click [**Custom Install**] then click to select a driver you want to install from among [**All Items**].

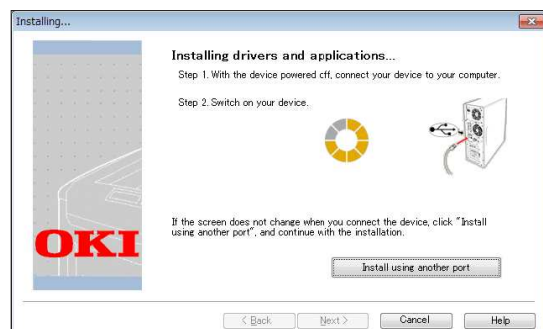
- 10 When network connection is used, the device search starts. If the printer is detected, select the printer from the list then click [**Next**]. Installation of the software automatically starts.



Memo

- If the printer is not detected, click [**Network Setting**] and change the network setting for the printer, following the instructions on the screen. The device search starts. If the printer is detected, select the printer from the list then click [**Next**]. Enter network setting data then click [**Set**]. Enter the password for network setting then click [**OK**]. After the network setting is completed, the printer will automatically restart, then the Menu Selection screen will be displayed again. Perform the installation procedure again from Step 8.

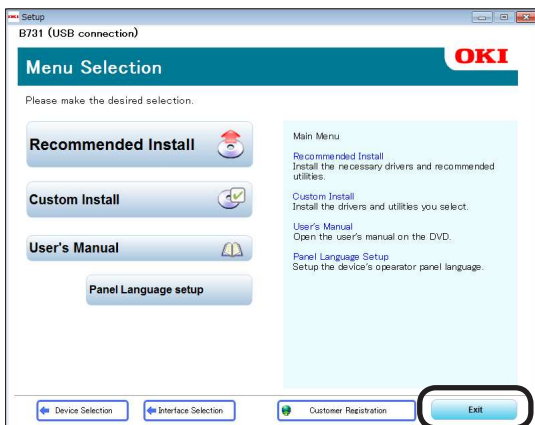
- 11 When USB/LPT (parallel) connection is used, after the screen indicated below is displayed, connect the printer and computer using the USB/LPT cable then turn the printer on.



12 After installation is completed, click [**Exit**].



13 Click [**Exit**] on the Menu Selection screen to exit.



14 Select [**Start**], [**Control Panel**], then [**Devices and Printers**].

If the device icon is displayed in the [**Devices and Printers**] folder, setup is completed.



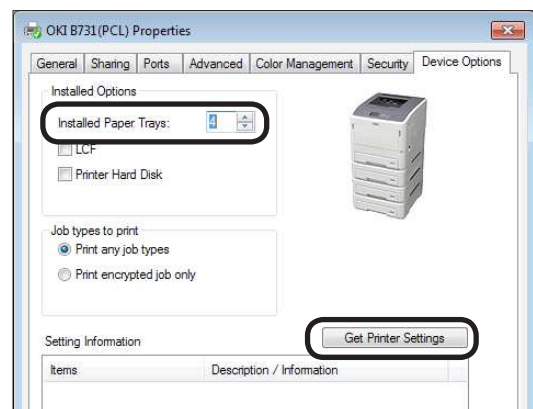
## When Options Are Added

If the options such as additional tray units have been installed, use following procedures to change printer driver settings.

### For Windows PCL Driver

- 1 Click [**Start**] then [**Devices and Printers**].
- 2 Right-click the printer icon then select [**Printer Properties**]. (If you have installed multiple printer drivers, select [**Printer Properties**] then [**printer name (PCL)**].)
- 3 Select the [**Device Options**] tab.
- 4 If using a network connection, select [**Get Printer Settings**].  
If using a USB connection, enter the total number of trays excluding the multipurpose tray in [**Installed Paper Trays**].

For example, when three option trays are installed, enter "4" as the trays 1, 2, 3, and 4 are available.



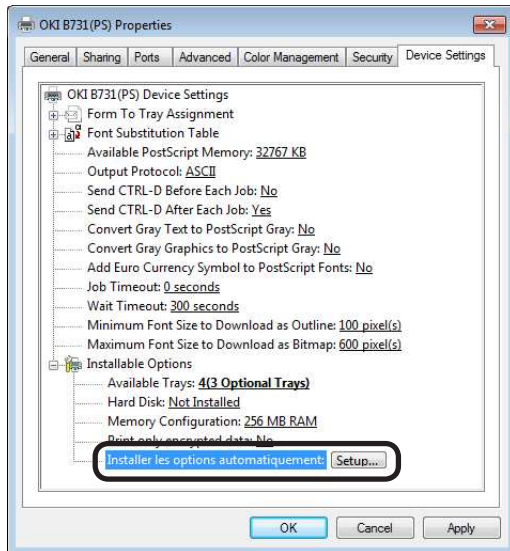
5 Click [**OK**].

### For Windows PS Driver

- 1 Click [**Start**] then [**Devices and Printers**].
- 2 Right-click the [**printer name (PS)**] icon then select [**Printer Properties**]. (If you have installed multiple printer drivers, select [**Printer Properties**] then [**printer name (PS)**].)
- 3 Select the [**Device Settings**] tab.

- 4 If using a network connection, select **[Get installed options automatically]** under **[Installable Options]** then click **[Setup]**.

If using a USB connection, select an appropriate value at **[Available Trays]** under **[Installable Options]**.



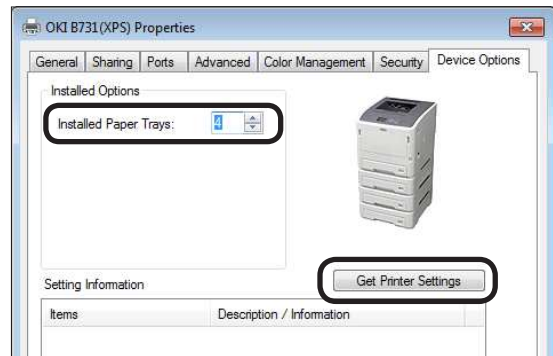
- 5 Click **[OK]**.

### For Windows XPS Driver

- 1 Click **[Start]** then **[Devices and Printers]**.
- 2 Right-click the printer icon then select **[Printer Properties]**. (If you have installed multiple printer drivers, select **[Printer Properties]** then **[printer name (XPS)]**.)
- 3 Select the **[Device Options]** tab.

- 4 If using a network connection, select **[Get Printer Settings]**.  
If using a USB connection, enter the total number of trays excluding the multipurpose tray in **[Installed Paper Trays]**.

For example, when three option trays are installed, enter "4" as the trays 1, 2, 3, and 4 are available.

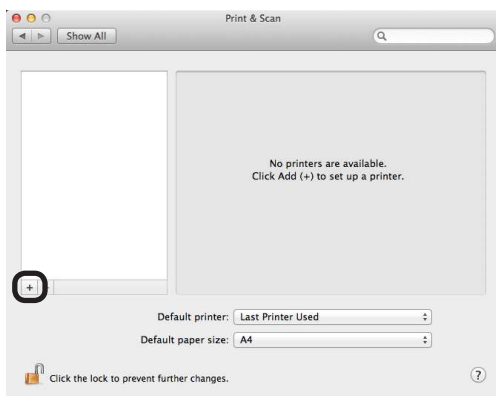


- 5 Click **[OK]**.

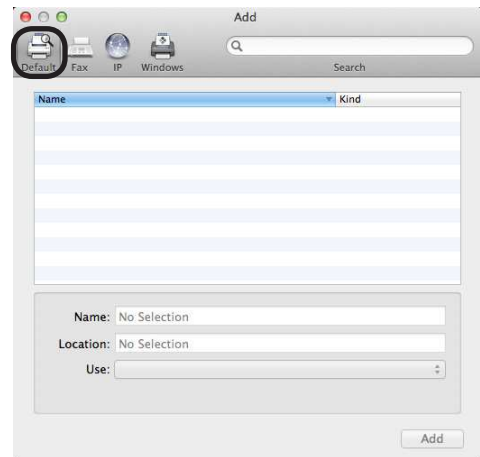
# ● Installing a Printer Driver (for Macintosh)

## Setup via a Network

- 1 Turn the printer on.
- 2 Install the printer driver.
  - Note**
  - Disable the anti-virus software before starting this procedure.
- (1) Load the "Software DVD-ROM" in Macintosh computer.
- (2) Double-click [OKI], [Drivers], then [Installer for OSX xxx] ("xxx" denotes the version of the OS to be installed) in the [PS] folder.
- (3) Enter the administrator password, following the instructions displayed on the screen, then click [Install Software].
  - Note**
  - If [Print & Scan] dialog box is displayed, click [x] to close it.
- (4) From the Apple menu, select [System Preferences].
- (5) Click [Print & Scan].
- (6) Click [+].



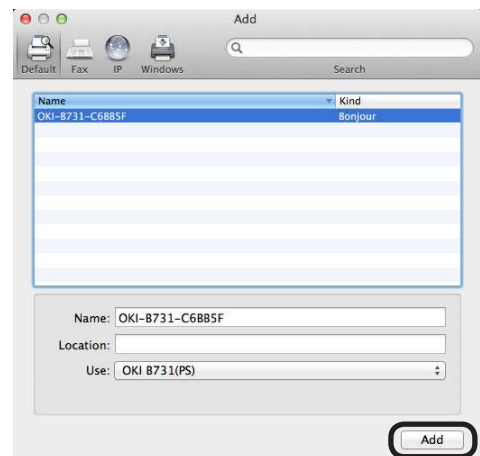
(7) Click [Default].



(8) Select a printer name. If the appropriate model name is displayed in the [Driver], click [Add].

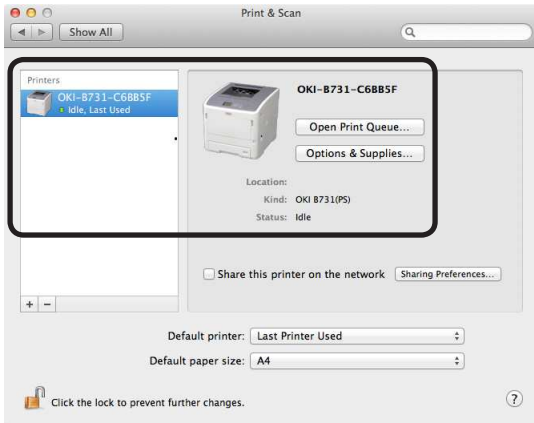
**Memo**

- If a Bonjour network is used, the name of your printer is displayed with the format of [model name] with the suffix of the lowest-order six digits of the MAC address.
- To display the MAC address, press the scroll button ▼ on the operator panel, and the [Configuration] then [Network] buttons.



3 Printing

- (9) Check that the selected printer is displayed in the printer list and that the added printer name is displayed in [**Kind:**] correctly, then close [**Print & Scan**].



**! Note**

- The name of the added printer will not be properly displayed if the printer driver does not read a PPD file properly. In such a case, delete the added printer then register it again.

## Setup via USB

- 1 Turn the printer on.
- 2 Install the printer driver.

**! Note**

- Disable the anti-virus software before starting this procedure.

- (1) Load the "Software DVD-ROM" in Macintosh computer.
- (2) Double-click [**OKI**], [**Drivers**], then [**Installer for OSX xxx**] in the [**PS**] folder.
- (3) Enter the administrator password, following the instructions displayed on the screen, then click [**Install Software**].

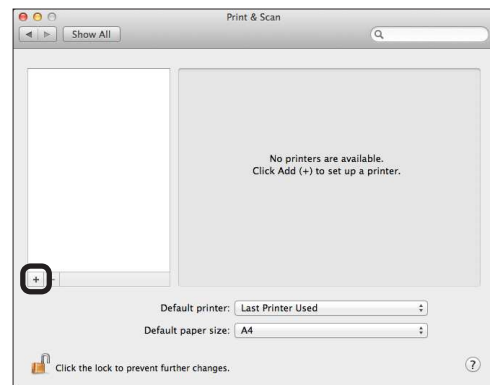
Perform installation, following the instructions displayed on the screen.

- 3 Perform the printer setting via USB.

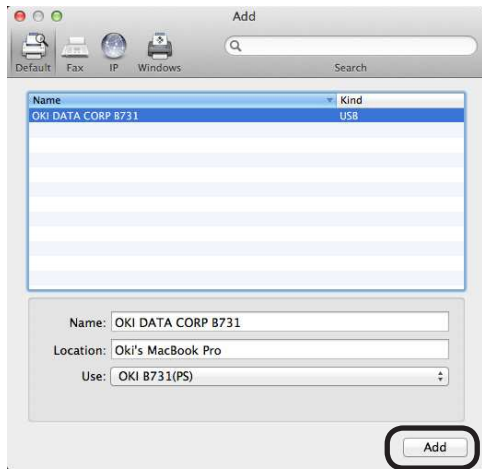
**! Note**

- If [**Print & Scan**] dialog box is displayed, click [**x**] to close it.

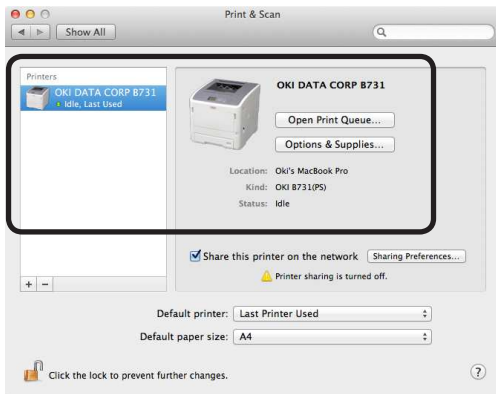
- (1) From the Apple menu, select [**System Preferences**].
- (2) Click [**Print & Scan**].
- (3) Click [**+**].



- (4) Select the name of a printer for which [**USB**] is displayed in [**Kind:**]. If the appropriate model name is displayed in the [**Driver**] menu, click [**Add**].



- (5) Check that the selected printer is displayed in the printer list and that the added printer name is displayed in [**Kind:**] correctly, then close [**Print & Scan**].

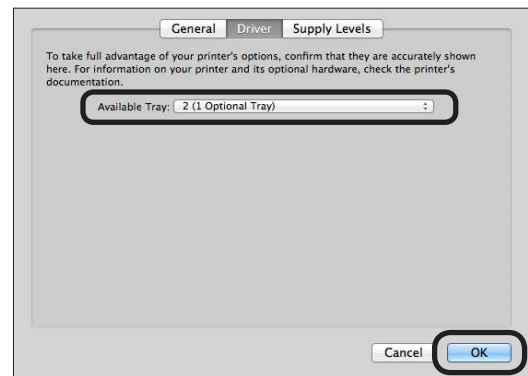


## When Options Are Added

If the options such as additional tray units have been installed, use following procedures to change printer driver settings.

### For Mac OS X PS Driver

- 1 From the Apple menu, select [**System Preferences**].
- 2 Click [**Print & Scan**].
- 3 Select a printer then click [**Options & Supplies...**].
- 4 Select the [**Driver**] tab.
- 5 Select an appropriate value at [**Available Tray**] then click [**OK**].



# ● Printing from a Computer

This section explains how to print from a computer.



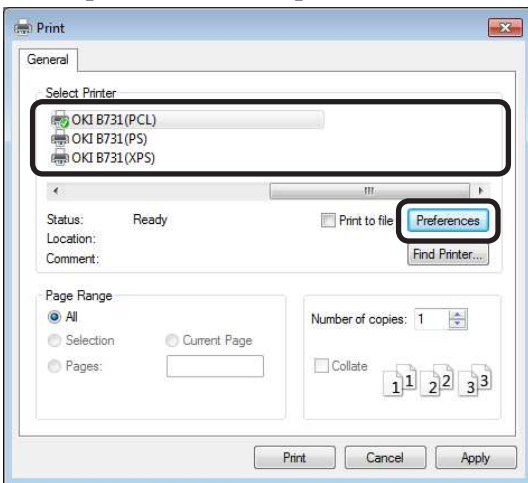
- In the explanation below, how to print a notepad file for Windows or a text editor file for Mac OS X is explained. Depending on the application used or the version of the printer driver, the description may be different.
- For details on various setting items of a printer driver, refer to the on-line help of the driver.

## Printing

- 1 Open a file to be printed, using the corresponding application.
- 2 Perform the print setting on the printer driver screen, then start printing.  
In the following procedure, the paper size, paper tray, and paper weight will be set. How to set for each printer driver is explained below.

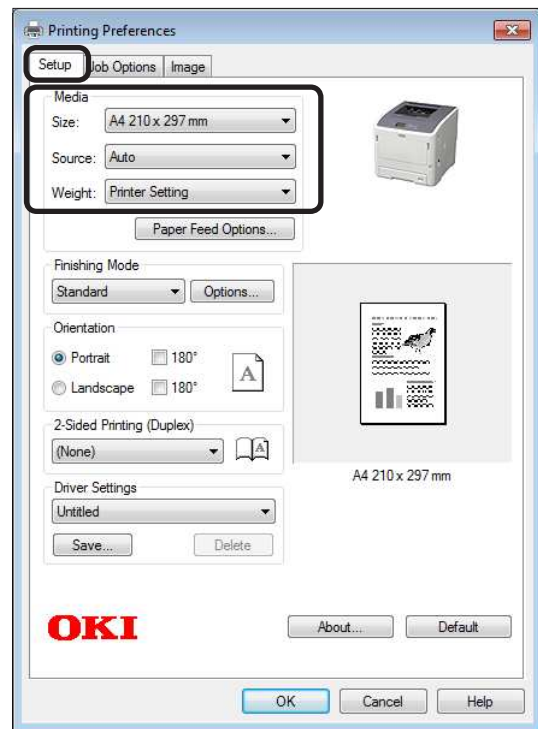
### For Windows PCL/XPS Driver

- 1 From the [File] menu of the application, select [Print].
- 2 Select a printer driver.
- 3 Click [Preferences].



- 4 Select the paper size from [Size] on the [Setup] tab.
- 5 Select the paper tray from [Source].

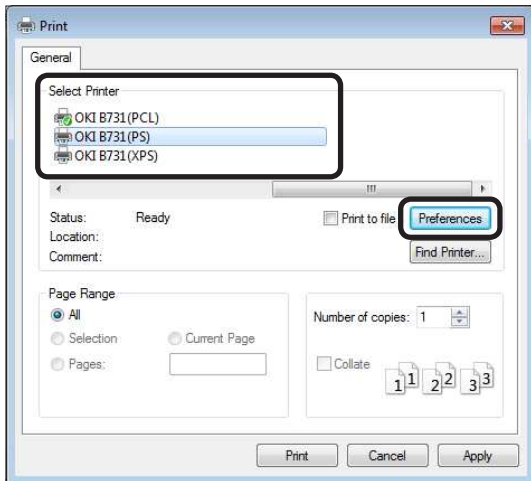
- 6 Select the paper weight from [Weight].



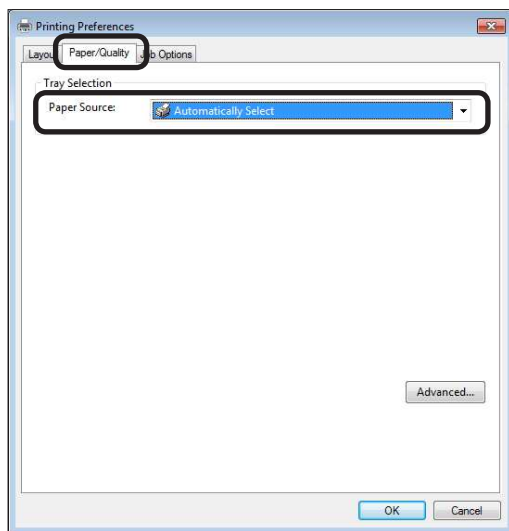
- 7 Click [OK].
- 8 Click [Print].

### For Windows PS Driver

- 1 From the [**File**] menu of the application, select [**Print**].
- 2 Select a printer driver.
- 3 Click [**Preferences**].

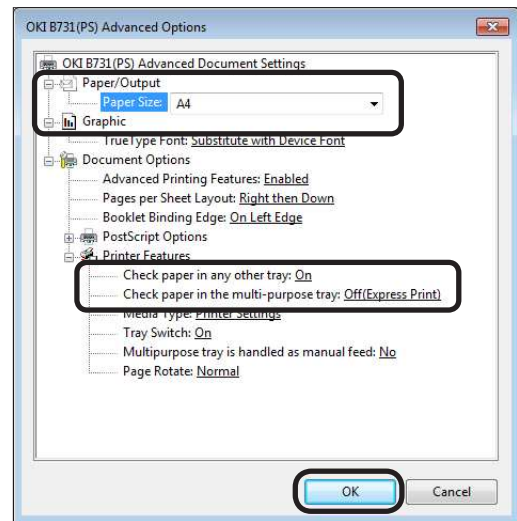


- 4 Select the [**Paper/Quality**] tab.
- 5 Select the paper tray from [**Paper Source**].



- 6 Click [**Advanced**].
- 7 Click [**Paper Size**] then select the paper size from the drop-down list.

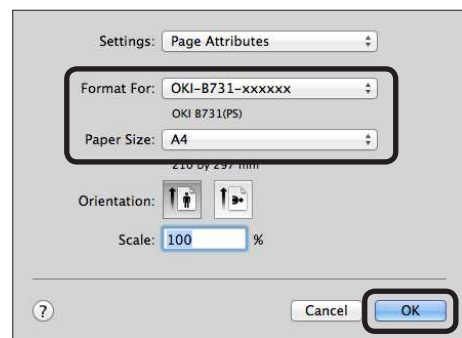
- 8 Click [**Media Type**] then select the paper weight from the drop-down list.



- 9 Click [**OK**].
- 10 Click [**Print**].

### For Mac OS X PS Driver

- 1 From the [**File**] menu of the application, select [**Page Setup**].
- 2 Select a printer from [**Format For:**].
- 3 Select the paper size from [**Paper Size**] then click [**OK**].

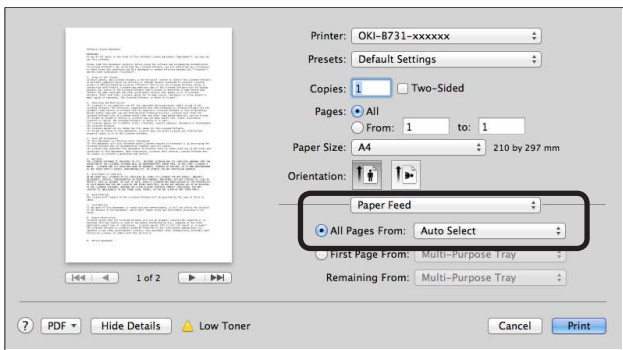


- 4 From the [**File**] menu, select [**Print...**].
- 5 From the panel menu, select [**Paper Feed**].

**Memo**

- If the detailed settings are not displayed on the printer dialog, click [**Show Details**] located on the bottom of the dialog box.

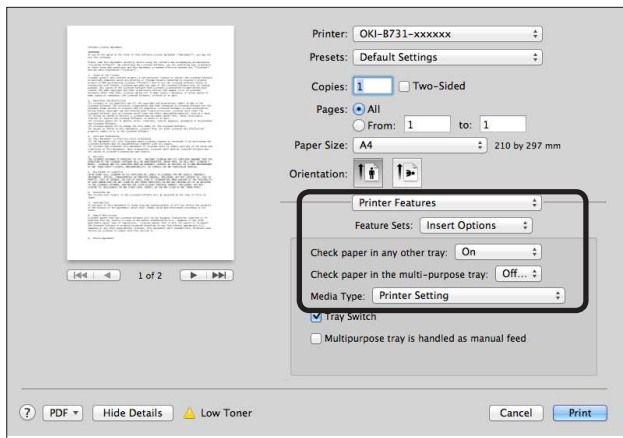
6 Select the paper tray on the [**Paper Feed**] panel.



7 From the panel menu, select [**Printer Features**].

8 From [**Feature Sets**], select [**Insert Options**].

9 Select the paper weight from [**Media Type**].



10 Click [**Print**].

**Memo**

- Normally, use [**Printer Setting**] for selection of the paper weight. If [**Printer Setting**] is selected, the value set on the operator panel of the printer will be applied.

**Reference**

- If [**Auto Select**] is selected for the paper feeding method, the tray corresponding to the assigned paper will be automatically selected. For details on the automatic selection of trays, refer to the User's Manual (Advanced).
- If the MP Tray is selected for the paper feeding method, paper must be loaded in the MP Tray. For details on how to load paper in the MP Tray, refer to "Loading Paper in the MP Tray" P.32.

## ● Printing Data on a USB Memory Device

This section explains how to print data on a USB memory device. You can plug a USB memory device into the printer and directly print files stored in the USB memory device.

**! Note**

- We do not guarantee use of all USB memory devices with this printer. (USB memory devices with the security function are not supported.)
- USB hubs and external USB-HDD are not supported.

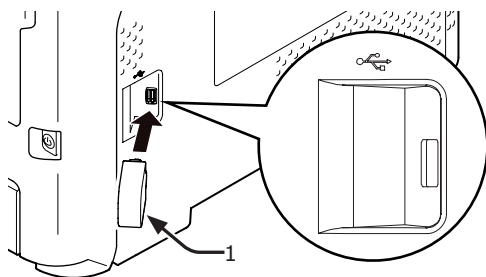
**Memo**

- The file systems FAT12, FAT16, and FAT32 are supported.
- The supported file formats are as follows: JPEG, PDF (ISO 32000-1:2008), M-TIFF, PRN (PCL, PS), and XPS.
- USB memory devices with the capacity up to 32 GB are supported.
- Up to 100 files that are stored in the USB memory device in the supported file formats will be displayed in the file list.
  - If the number of files stored in the USB memory device exceeds 100, the file list will not be displayed properly.
  - A USB memory device that has a directory structure of 20 layers or more may not be read properly.
  - Files whose path name exceeds 240 characters may not be read properly.
- Only one file in the USB memory device can be printed at one time.

3 Printing

### Printing

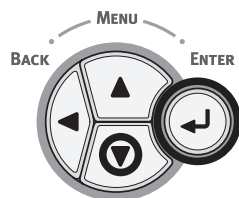
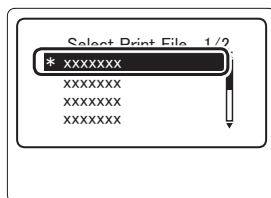
- 1 Plug a USB memory (1) device into the USB port of the printer.



**! Note**

- Plug the USB memory device straight into the USB port. If you don't, the USB port may be damaged.

- 2 When [**Select Print File**] is displayed, select a file to be printed by pressing the scroll button ▼ then press the <ENTER> button.



- 3 Perform the print setting, as required.

**Reference**

- "Print Setting" P.80

- 4 Select [**Print**] to start printing.

- 5 After printing is finished, unplug the USB memory device.

### Print Setting

The print setting can be performed from the [**Print Setup**] menu when printing data on the USB memory device.

**! Note**

- [**Print Setup**] is not displayed if the PRN file is selected in [**Select Print File**].

The following procedure may be needed in Step 4 in "Printing Data on a USB Memory Device" P.80.

### Changing Paper Trays (Paper Feed)

You can select a paper tray.

**! Note**

- For printing of a PRN file, a paper tray designated in the printer driver when the file to be printed was created will be selected.

- 1 Press the scroll button ▼ to select [**Print Setup**] then press the <ENTER> button.
- 2 Check that [**Paper Feed**] is selected then press the <ENTER> button.
- 3 Press the scroll button ▼ to select a paper tray then press the <ENTER> button.
- 4 Press the <BACK> button to return to the Start screen.

## Changing the Number of Copies (Copies)

You can set the number of copies to be printed.

- 1 Press the scroll button ▼ to select [**Print Setup**] then press the <ENTER> button.
- 2 Press the scroll button ▼ to select [**Copies**] then press the <ENTER> button.
- 3 Enter the number of copies then press the <ENTER> button.  
You can assign up to 999.
- 4 Press the <BACK> button to return to the Start screen.

### Memo

- The selectable trays are as follows:
  - Tray 1 (Factory default setting)
  - Trays 2-4 (when additional trays are installed)
  - MP Tray

## Duplex Printing (Duplex)

You can select either single-sided or duplex printing.

### Note

- For printing of a PRN file, single-sided/duplex printing designated in the printer driver when the file to be printed was created will be selected.

- 1 Press the scroll button ▼ to select [**Print Setup**] then press the <ENTER> button.
- 2 Press the scroll button ▼ to select [**Duplex**] then press the <ENTER> button.
- 3 Press the scroll button ▼ and select [**On**] for duplex printing or [**Off**] for single-sided printing, then press the <ENTER> button.
- 4 Press the <BACK> button to return to the Start screen.

## Binding Setting (Binding)

The binding position can be set for duplex printing.

- 1 Press the scroll button ▼ to select [**Print Setup**] then press the <ENTER> button.

- 2 Press the scroll button ▼ to select [**Binding**] then press the <ENTER> button.
- 3 Press the scroll button ▼ to select [**Long Edge**] or [**Short Edge**], then press the <ENTER> button.
- 4 Press the <BACK> button to return to the Start screen.

## Fitting the Page Size into the Paper Size (Fitting)

You can fit the page size into the paper size and print.

If the page size of a file to be printed is too large or small for the effective printing area of the paper, fitting will be automatically performed to fit the page size into the paper size.

### Note

- This setting will not be available for printing of a PRN file.

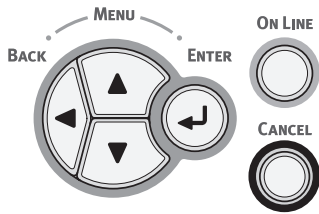
### Memo

- The default setting of this function is [**On**].

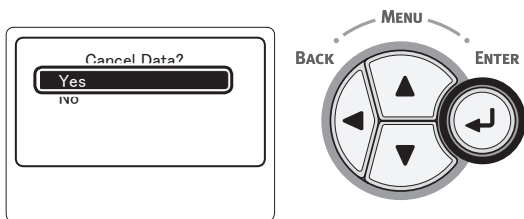
- 1 Press the scroll button ▼ to select [**Print Setup**] then press the <ENTER> button.
- 2 Press the scroll button ▼ to select [**Fit**] then press the <ENTER> button.
- 3 Press the scroll button ▼ and select [**On**] to enable the fitting function and [**Off**] to disable it, then press the <ENTER> button.
- 4 Press the <BACK> button to return to the Start screen.

## ● Canceling Printing

Press the <**CANCEL**> button on the operator panel to cancel print jobs being currently printed or preparing for a print.



When you press the <**CANCEL**> button, the following message is displayed:



To cancel printing, select [**Yes**] and then press the <**ENTER**> button.

To proceed to printing, select [**No**] and then press the <**ENTER**> button.

If the printer is not operated for about 3 minutes while this message is displayed, the message will go out and printing proceeds.

# ● Convenient Print Functions

The following convenient print functions are available. For details, refer to the User's Manual (Advanced).

## ■ Printing on Envelopes

## ■ Printing on Labels

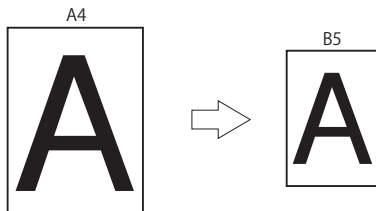
## ■ Printing on Custom Size Paper

You can register customized paper sizes to the printer driver so you can print on nonstandard paper such as banners.

## ■ Scaling to Pages

You can print data formatted for one size page onto a different size page without modifying the print data.

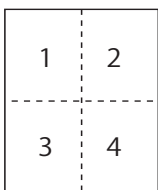
### ● Changing the Page Size



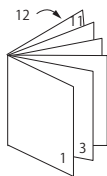
## ■ Changing the Page Layout

You can change the page layout to multiple print, booklet print, and poster print, etc.

### ● Multiple print



### ● Booklet print



### ● Poster print



## ■ Duplex Printing

You can print on both sides of a sheet of paper.

### ● Duplex prints



## ■ Changing Print Quality (Resolution)

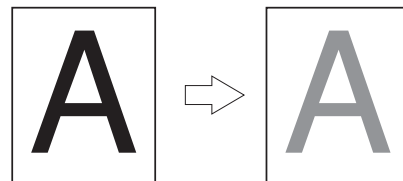
You can change the print quality to suit your needs.

## ■ Saving Toner

You can save toner by reducing printing density.

A toner saving can be set in 2 levels.

### ● Saving toner



### Memo

- There are many convenient print functions in addition to those above. Refer to the User's Manual (Advanced).

# 4. Troubleshooting

## • When an Error Message is Displayed on the Display Screen

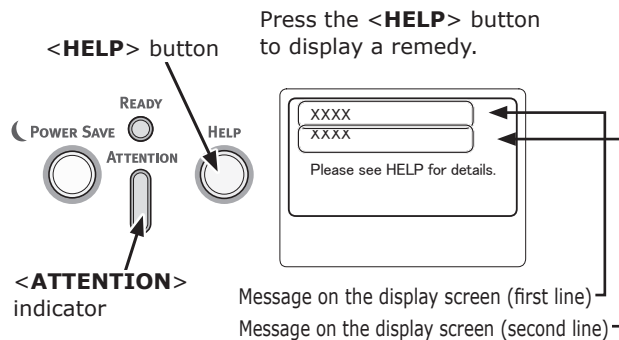
### Paper Jam

#### Check Any Message Displayed

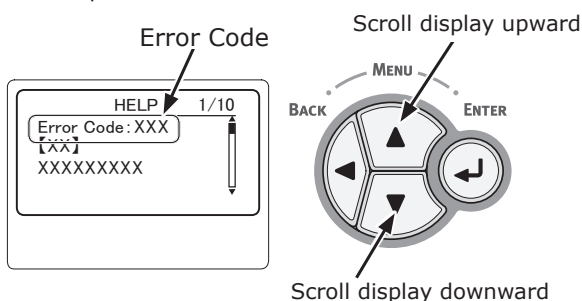
When paper is jammed inside the printer or when there are still sheets remained in the printer even after jammed paper is removed, an error message is displayed on the display screen and the **<ATTENTION>** indicator blinks.

Press the **<HELP>** button to display a remedy. Remove jammed paper according to the remedy displayed.

Or remove jammed paper, referring to the relevant pages described in the following list.



Display Screen when the **<HELP>** button is pressed

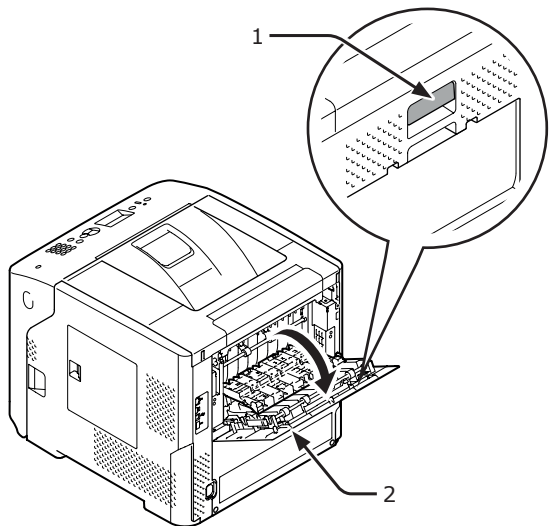


Message on the display screen	Message displayed after the <b>&lt;HELP&gt;</b> button is pressed	Reference Page
	Error Code	
Open Cassette Paper Jam [TRAY]	391, 392, 393, 394	page 95
Open Cover Paper Jam Front Cover	372	page 86
Open Cover Paper Jam Front Cover	380	page 88
Open Cover Paper Jam Front Cover	390	page 94
Open Cover Paper Jam Top Cover	381	page 89
Open Cover Paper Jam Top Cover	382, 383, 385	page 91
Check Duplex Unit Paper Jam	370, 371, 373	page 85
Check Paper Paper Multi Feed [TRAY]	401	page 88
Open Cassette Paper Remain [TRAY]	631, 632, 633, 634	page 95
Open Cover Paper Remain Front Cover	637	page 94
Open Cover Paper Remain Top Cover	638	page 89
Open Cover Paper Remain Top Cover	639, 640	page 91
Check Duplex Unit Paper Remain	641, 642	page 85

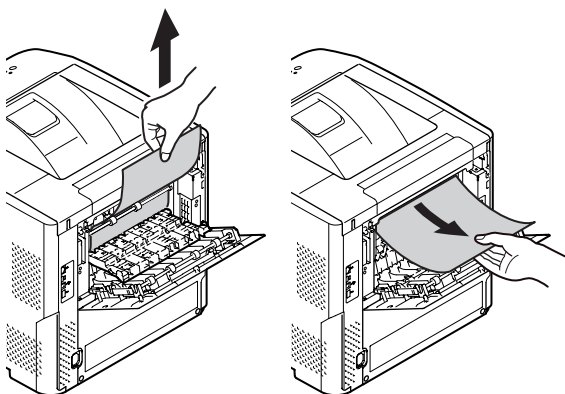
## Error Codes 370, 371, 373, 641, and 642

A paper jam has occurred around the duplex unit.

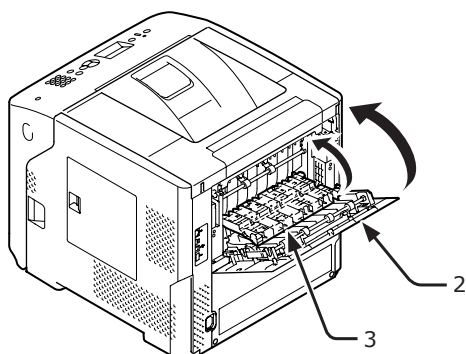
- 1 Open the rear cover (2) by pulling the lock lever (1) at the center of the back side of the printer toward you.



- 2 Check for jammed paper inside the printer. If jammed paper remains, remove it.



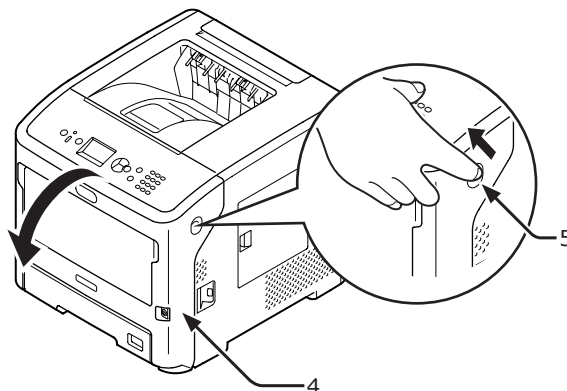
- 3 Return the rear guide (3) to its original position then close the rear cover (2).



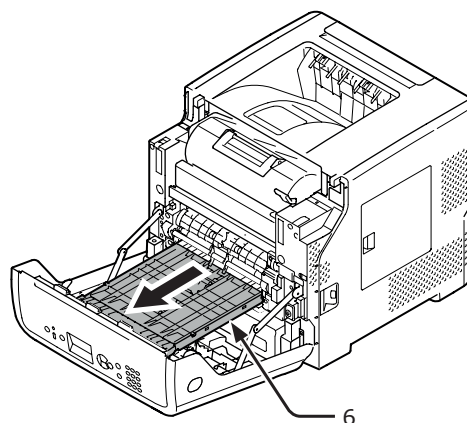
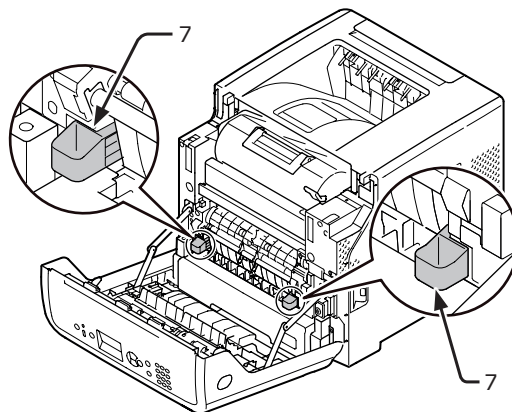
- 4 Insert your finger into the recess on the right side of the printer and pull the front cover open lever (5) to open the front cover (4) forward.

**Note**

- Open the front cover gently. If you open it rapidly, the MP Tray may open.



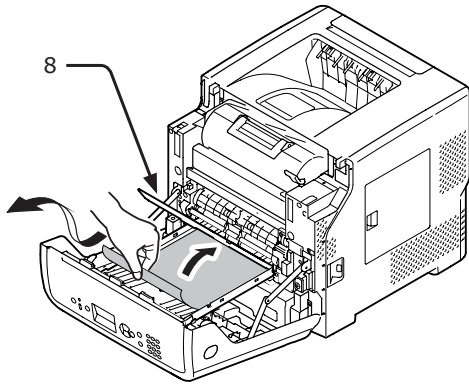
- 5 Pull out the duplex unit (6) by holding the grips (7) on its both sides.



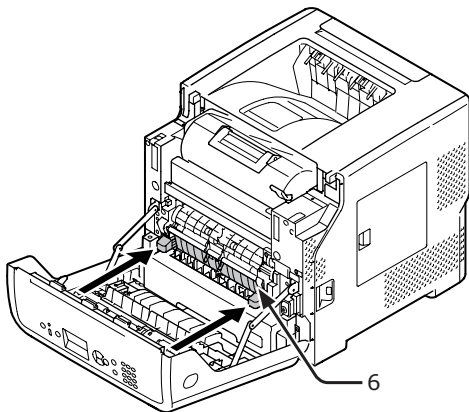
**Note**

- The duplex unit cannot be removed. If it is forcibly removed, it may be damaged.

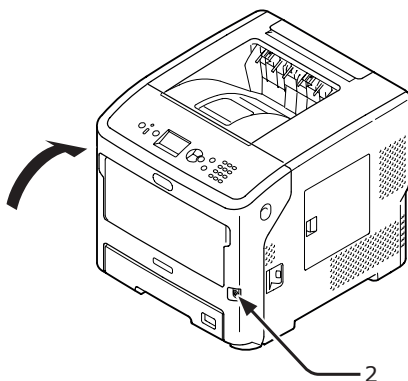
- 6 Open the upper cover (8) of the duplex unit and check for jammed paper in the duplex unit. If jammed paper remains, pull it out gently. Then, close the upper cover (8).



- 7 Return the duplex unit (6) to its original position.



- 8 Close the front cover (2).



Removal of jammed paper is completed.

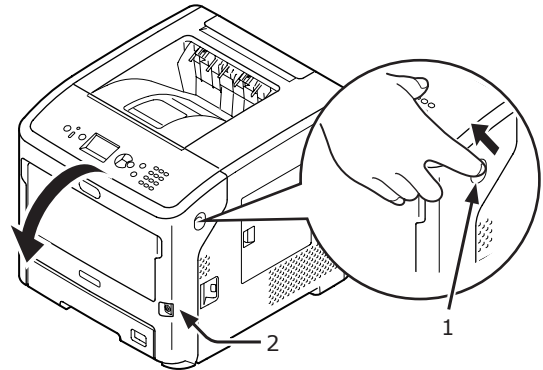
## Error Code 372

A paper jam has occurred around the front cover.

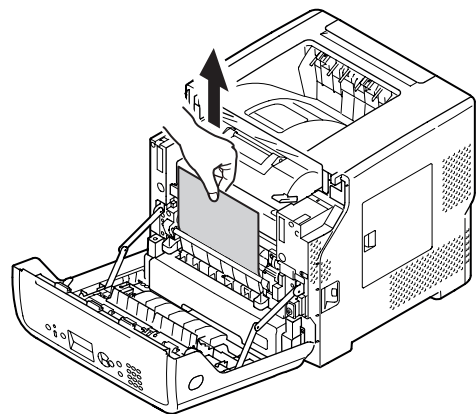
- 1 Insert your finger into the recess on the right side of the printer and pull the front cover open lever (1) to open the front cover (2) forward.

**Note**

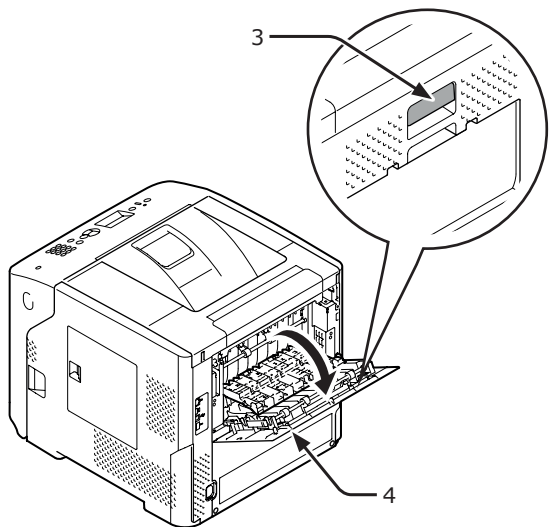
- Open the front cover gently. If you open it rapidly, the MP Tray may open.



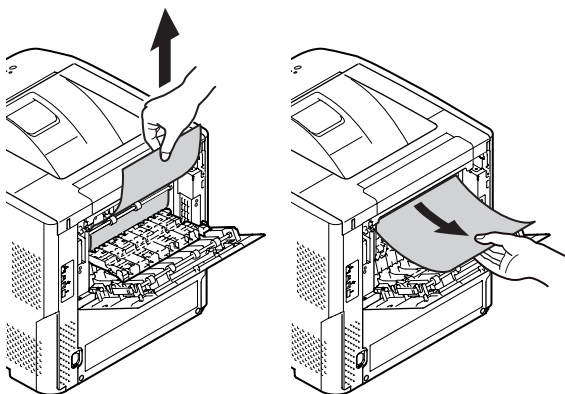
- 2 Remove the jammed paper gently in the direction of the arrow if an edge of jammed paper can be seen, and then go to step 10. If you cannot find jammed paper, go to step 3.



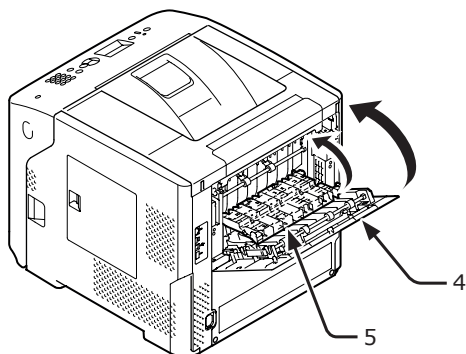
- 3 Open the rear cover (4) by pulling the lock (3) lever on the back side of the printer toward you.



- 4 Check for jammed paper inside the printer. If jammed paper remains, remove it.



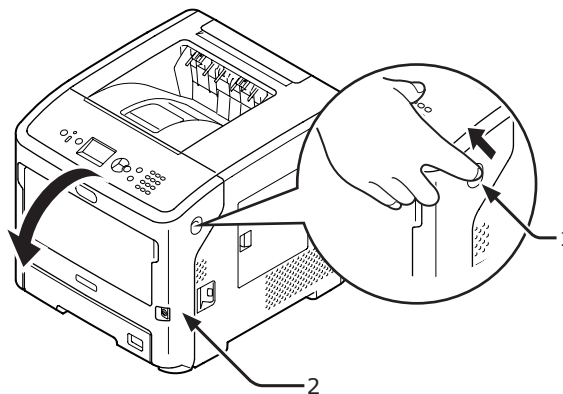
- 5 Return the rear guide (5) to its original position then close the rear cover (4).



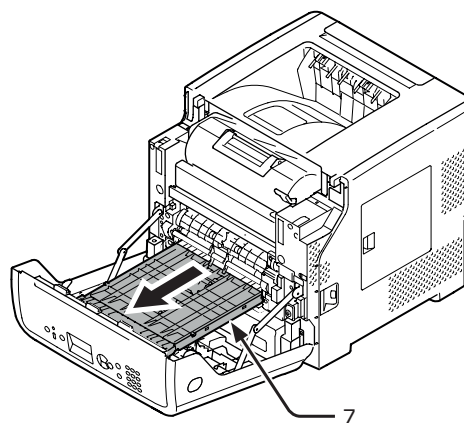
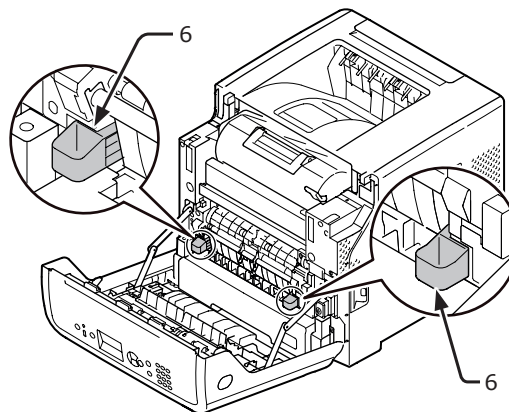
- 6 Insert your finger into the recess on the right side of the printer and pull the front cover open lever (1) to open the front cover (2) forward.

**! Note**

- Open the front cover gently. If you open it rapidly, the MP Tray may open.



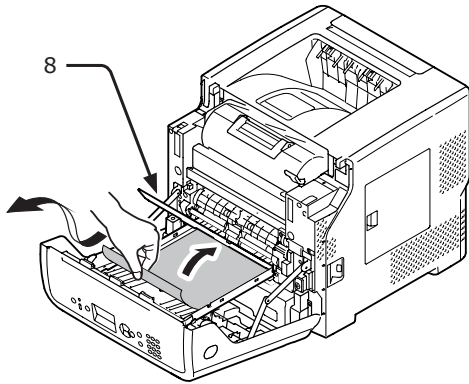
- 7 Pull out the duplex unit (7) by holding the grips (6) on its both sides.



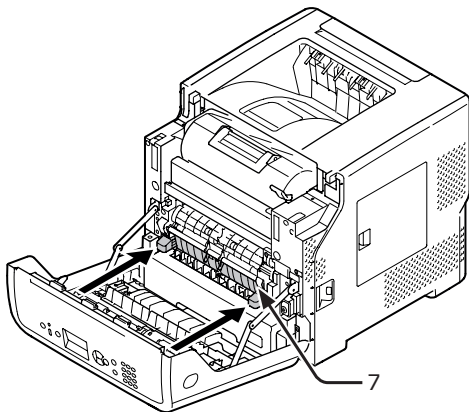
**! Note**

- The duplex unit cannot be removed. If it is forcibly removed, it may be damaged.

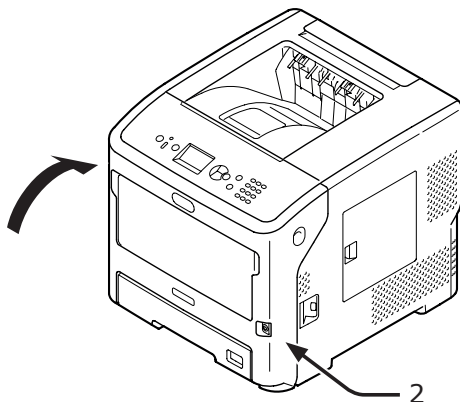
- 8** Open the upper cover (8) of the duplex unit and check for jammed paper in the duplex unit. If jammed paper remains, pull it out. Then, close the upper cover (8).



- 9** Return the duplex unit (7) to its original position.



- 10** Close the front cover (2).



Removal of jammed paper is completed.

## Error Codes 380, 401

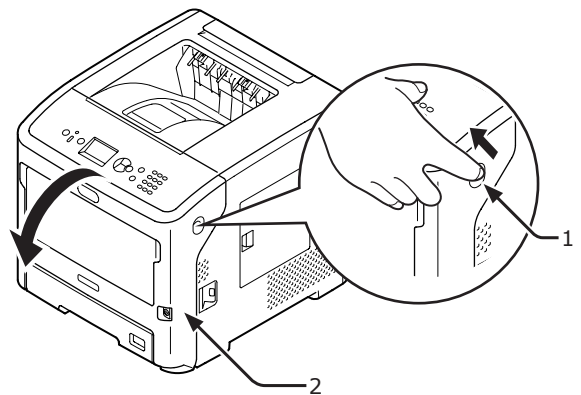
A paper jam has occurred around the front cover.

In a case of Code 401, jammed paper may be automatically ejected. In such a case, the error will be canceled only by opening then closing the front cover.

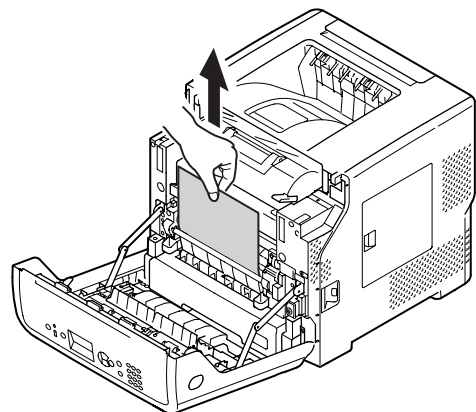
- 1** Insert your finger into the recess on the right side of the printer and pull the front cover open lever (1) to open the front cover (2) forward.

**! Note**

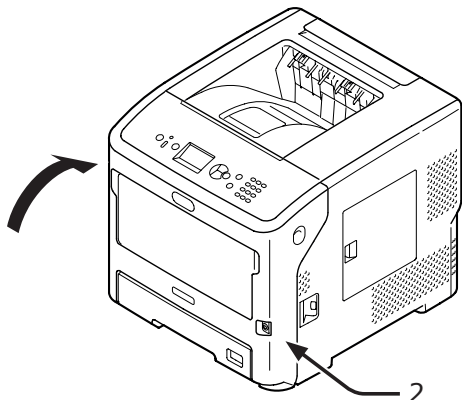
- Open the front cover gently. If you open it rapidly, the MP Tray may open.



- 2** Remove the jammed paper gently in the direction of the arrow if an edge of jammed paper can be seen.



3 Close the front cover (2).



Removal of jammed paper is completed.

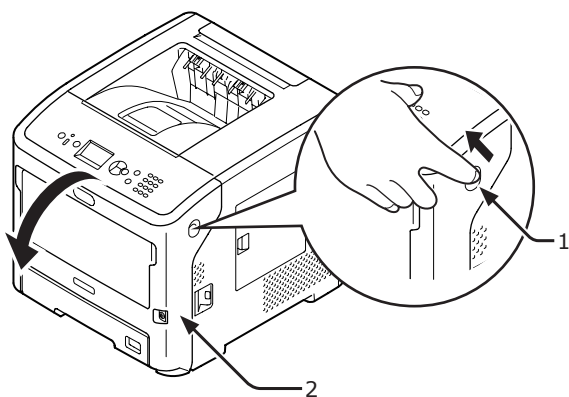
### Error Codes 381 and 638

A paper jam has occurred under an image drum.

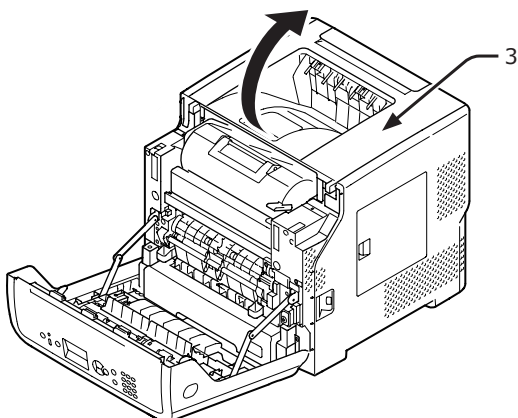
1 Insert your finger into the recess on the right side of the printer and pull the front cover open lever (1) to open the front cover (2) forward.

**Note**

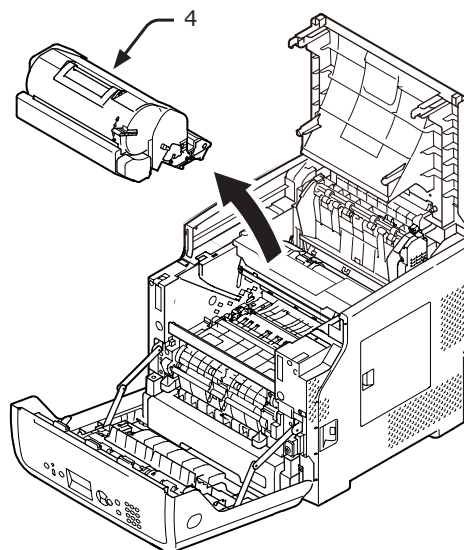
- Open the front cover gently. If you open it rapidly, the MP Tray may open.



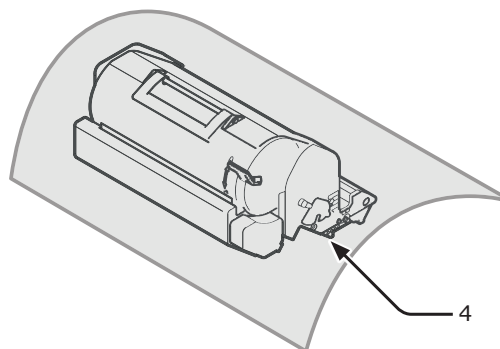
2 Open the top cover (3).



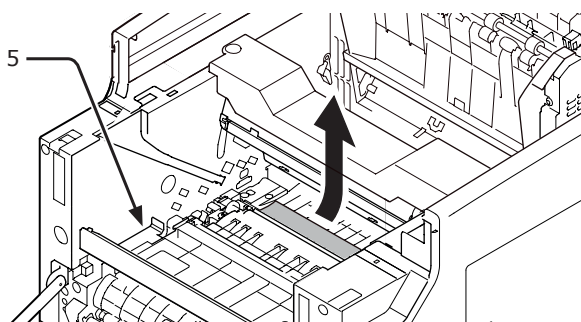
3 Remove the print cartridge (4) and place them on a flat surface.



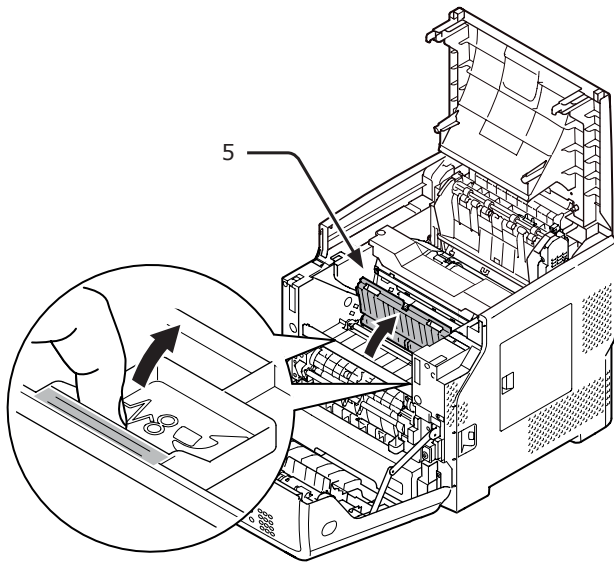
4 Cover the removed print cartridge (4) with paper so that it will not be exposed to light.



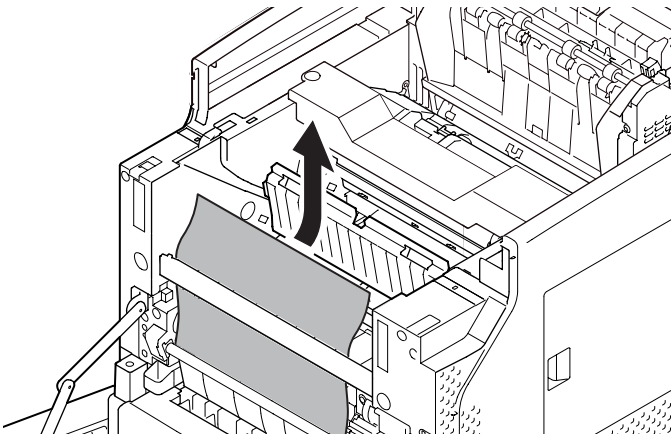
5 Pull out the jammed paper gently toward the inside of the printer (in the direction of the arrow) if an edge of jammed paper can be seen on the back side of the registration guide (5).



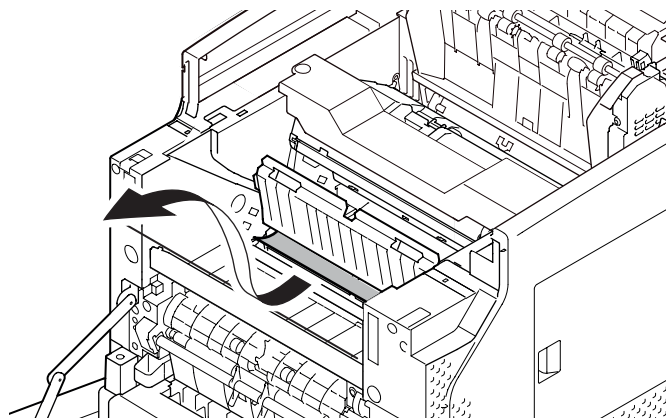
- 6 Open the registration guide (5) in the direction of the arrow.



- 7 Pull out the jammed paper gently in the direction of the arrow if an edge of jammed paper can be seen on the front side.

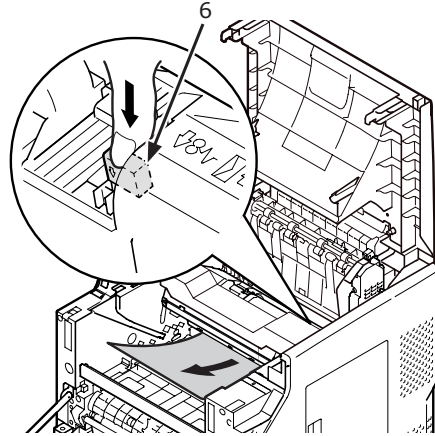


- 8 Pull out the jammed paper gently in the direction of the arrow if an edge of jammed paper can be seen on the back side.

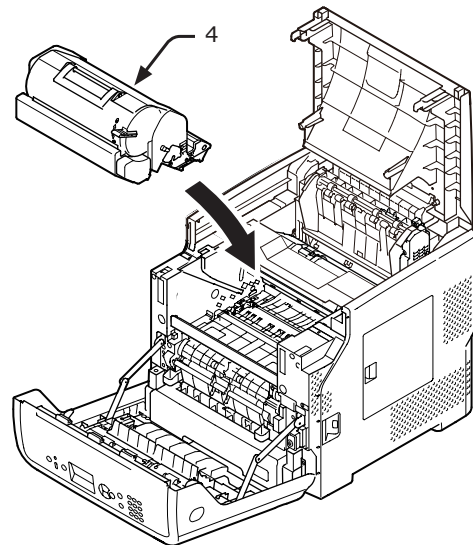


- 9 Pull out the jammed paper gently while tilting the release levers (6) on the fuser unit forward if an edge of jammed paper cannot be seen.

If an edge of jammed paper still remains inside the unit, pull out the jammed paper gently toward the inside of the printer.



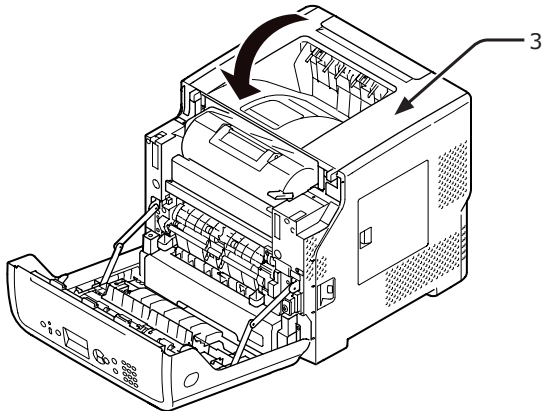
- 10 Return the print cartridge (4) into the printer carefully.



### 11 Close the top cover (3).

**Memo**

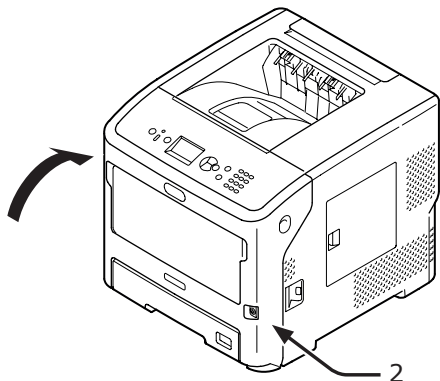
- You can close the top cover smoothly if you close the front cover halfway. Be careful not to let the front cover return to its open position.



### 12 Close the front cover (2).

**Note**

- The front cover cannot be closed if the top cover is not closed securely.



Removal of jammed paper is completed.

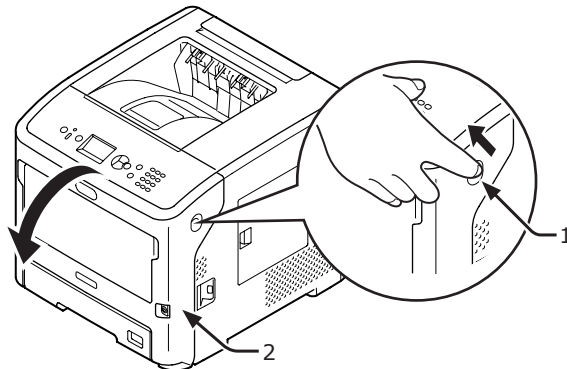
## Error Codes 382, 383, 385, 639, and 640

A paper jam has occurred around the fuser unit.

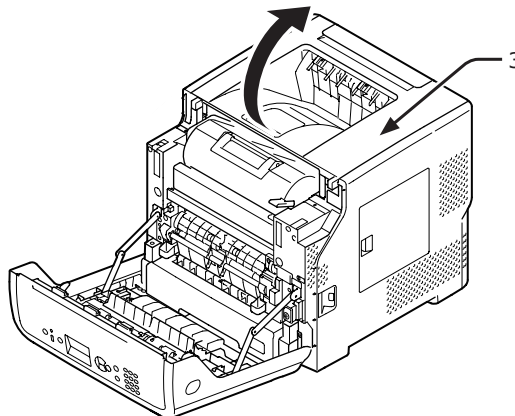
- 1 Insert your finger into the recess on the right side of the printer and pull the front cover open lever (1) to open the front cover (2) forward.

**Note**

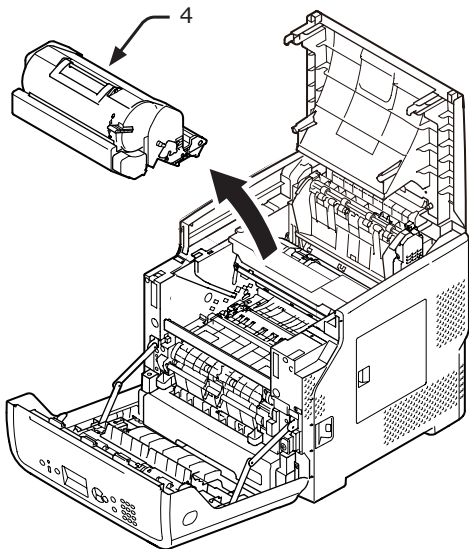
- Open the front cover gently. If you open it rapidly, the MP Tray may open.



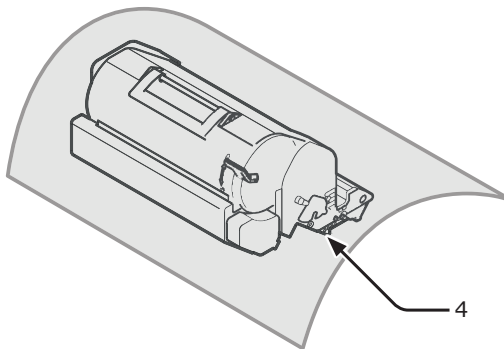
- 2 Open the top cover.



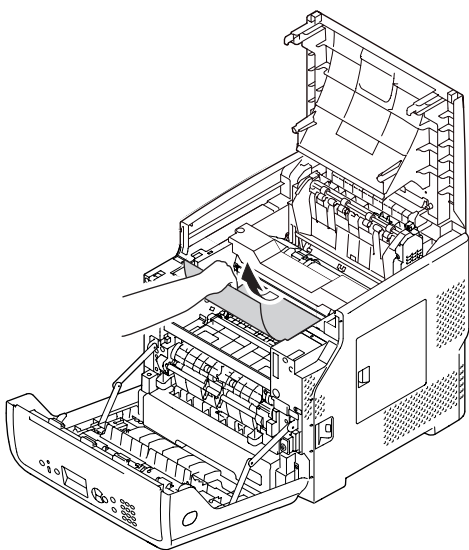
- 3 Remove the print cartridge (4) and place them on a flat surface.





- 4 Cover the print cartridge (4) with paper so that it will not be exposed to light.

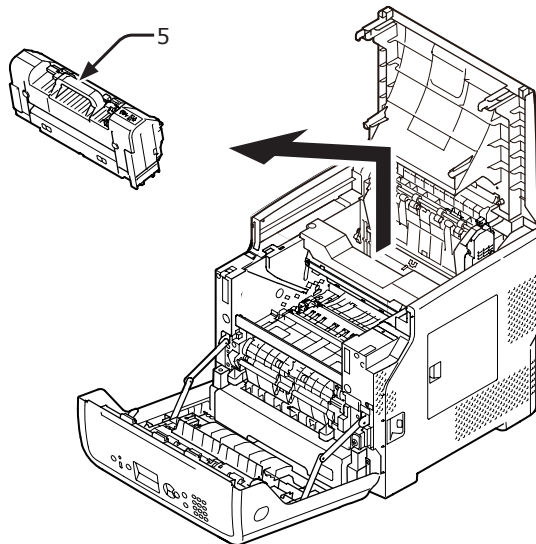


- 5 Remove the jammed paper remaining inside of the unit.

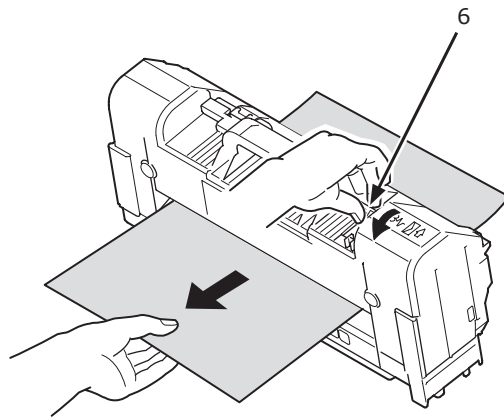


- 6 Hold the fuser unit handle (5) and lift the fuser unit out of the printer.

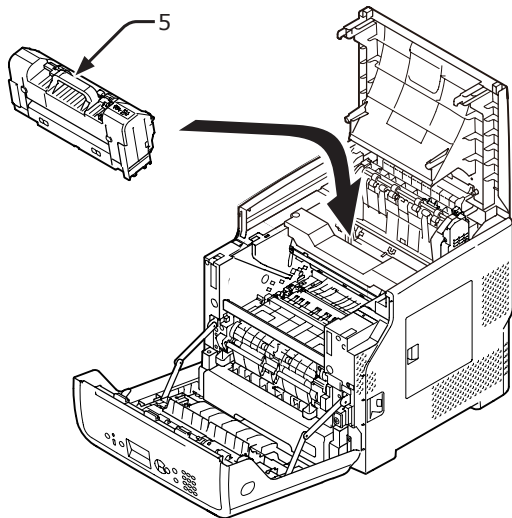
 CAUTION	<b>Possible to get burned.</b>	
• The fuser unit is extremely hot. Do not touch it.		



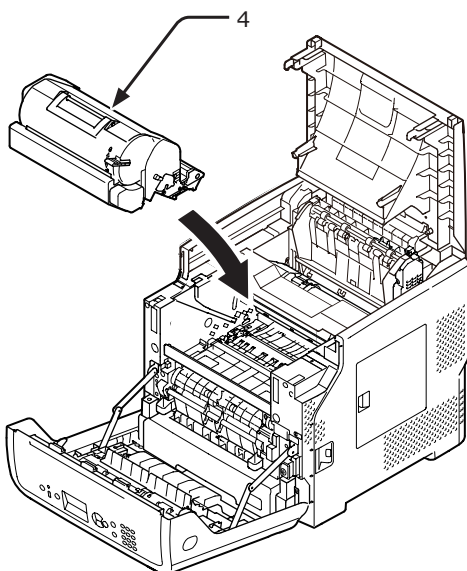
- 7 Tilt the release levers (6) on the fuser unit forward, and be sure to pull out the jammed paper forward gently.



8 Hold the fuser unit handle (5) and return the fuser unit into its original position.



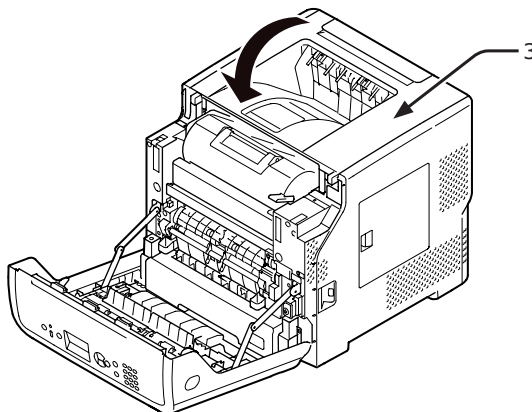
9 Return the print cartridge (4) into the printer carefully.



10 Close the top cover (3).

**Memo**

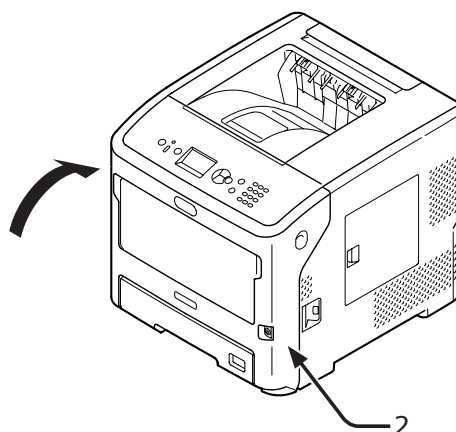
- You can close the top cover smoothly if you close the front cover halfway. Be careful not to let the front cover return to its open position.



11 Close the front cover (2).

**Note**

- The front cover cannot be closed if the top cover is not closed securely.

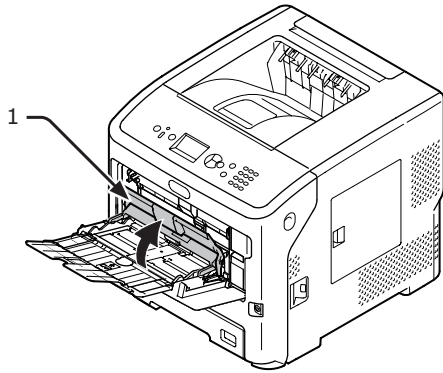


Removal of jammed paper is completed.

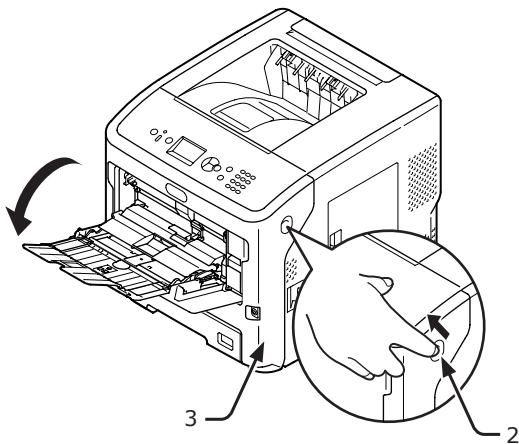
## Error Codes 390 and 637

A paper jam has occurred while feeding paper from a paper tray.

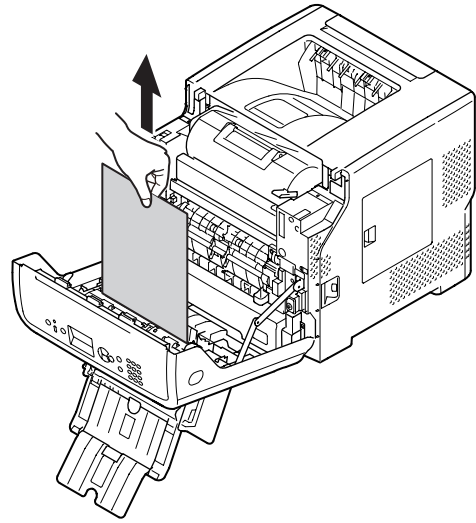
- 1 If there is any paper on the MP Tray, lift the paper set cover (1) and take it out.



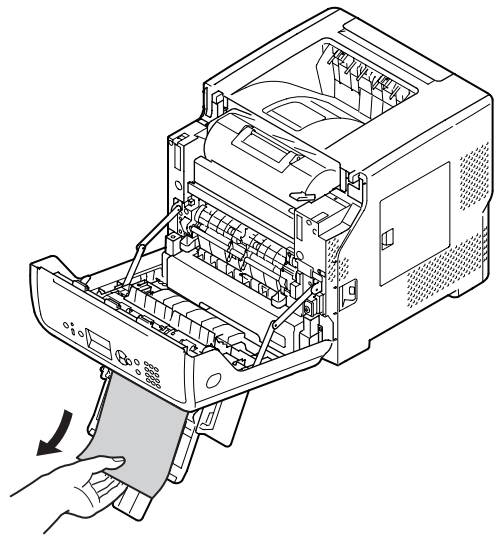
- 2 Insert your finger into the recess on the right side of the printer and pull the front cover open lever (2) to open the front cover (3) forward.



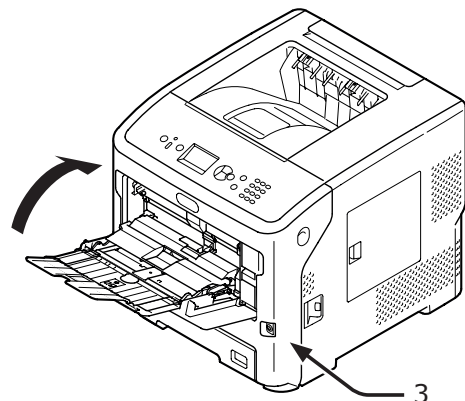
- 3 Remove the jammed paper gently by pulling the edge of paper if the edge of jammed paper can be seen. If you cannot find the edge of jammed paper, go to step 4.



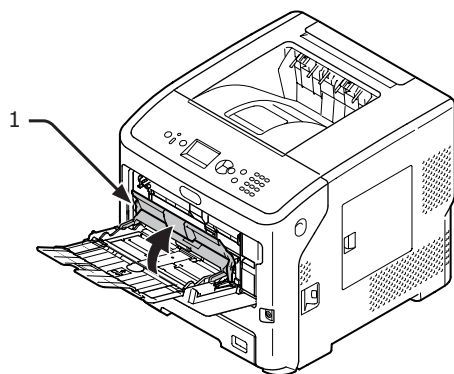
- 4 Remove the paper from the back gently if the edge of paper cannot be seen.



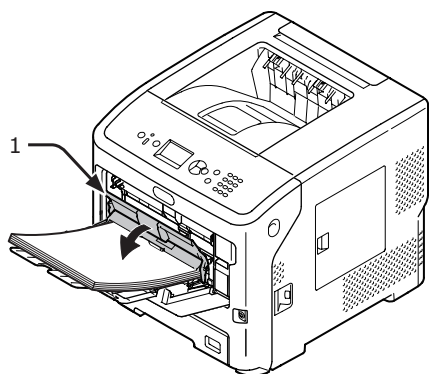
- 5 Close the front cover (3).



- 6** When loading paper in the MP Tray, lift the paper set cover (1) and set the paper with the print side face up.



- 7** Lower the paper set cover (1).



Removal of jammed paper is completed.

## Error Codes 391,392, 393, 394, 631, 632, 633, and 634

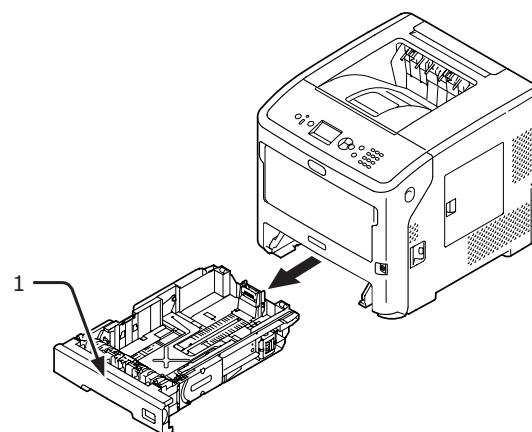
A paper jam has occurred while feeding paper from a paper tray.

**Note**

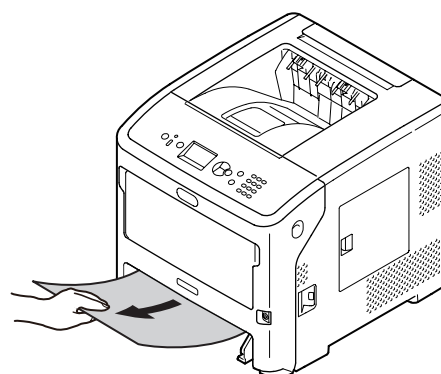
If paper jams occur frequently, clean the paper feed rollers. For details, refer to ["Cleaning Paper Feed Rollers" P.136](#).

This procedure uses Tray 1 as an example.

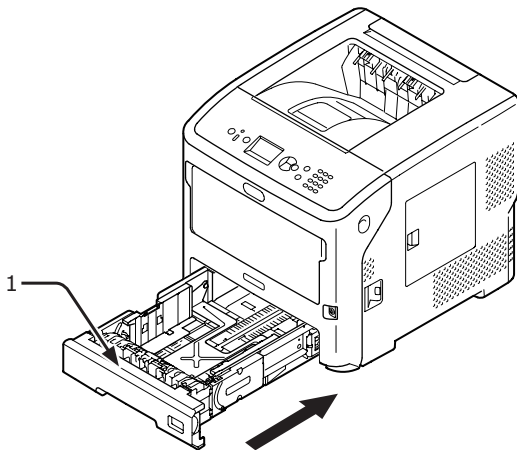
- 1** Gently pull out from the printer the tray (1) for which an error is indicated.



- 2** Remove the jammed paper.



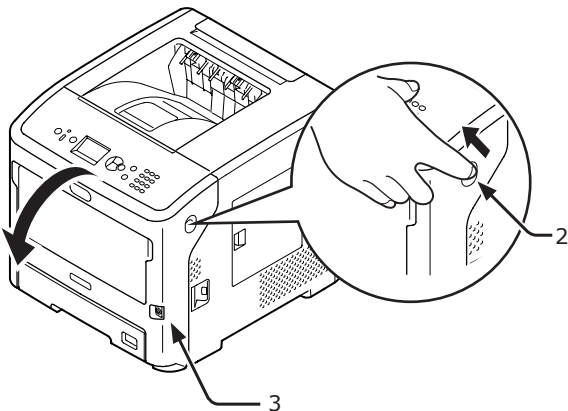
**3** Return the tray (1) to its original position.



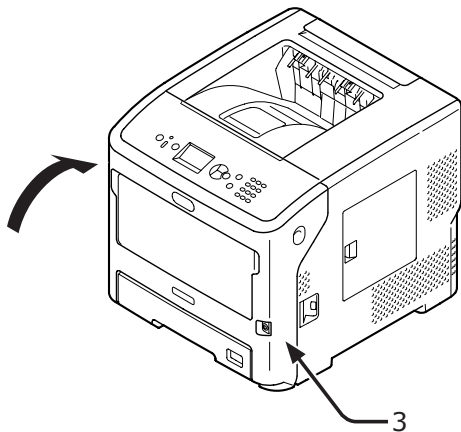
**4** Insert your finger into the recess on the right side of the printer and pull the front cover open lever (2) to open the front cover (3) forward.

**Note**

- Open the front cover gently. If you open it rapidly, the MP Tray may open.



**5** Close the front cover (3).



Removal of jammed paper is completed.

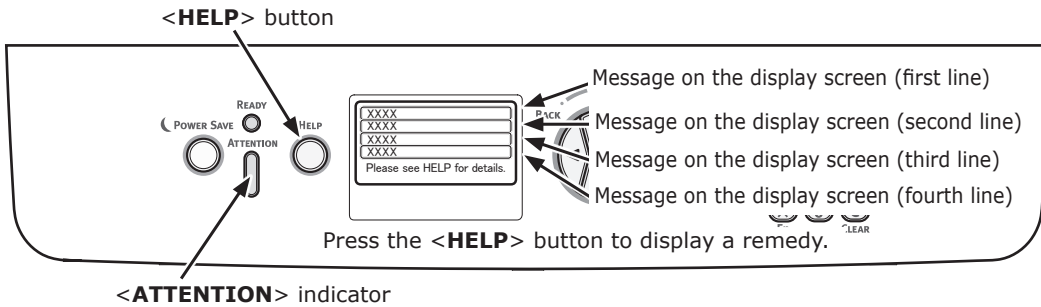
**Memo**

- Open then close the front cover after removing the jammed paper. Otherwise, the error indication do not go out.

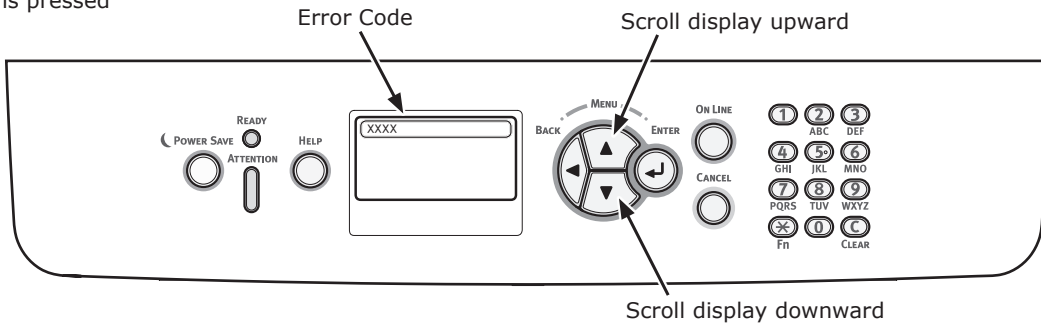
# ● When the Message for Replacement of Consumables or Maintenance Unit is Displayed

When the time to replace consumables or maintenance unit is close and replacement must be done, the messages, such as "...Low," "...Near Life," "...Empty," "...Life," "Install...," "Replace...," and "Change...," will be displayed on the display screen and the <ATTENTION> indicator on the operator panel lights up or blinks.

Check the message and replace consumables and maintenance unit.



Display Screen when the <HELP> button is pressed



Status	Message on the display screen		Message displayed after the <HELP> button is pressed	Reference Page
			Error Code	
Print Cartridge (in a case of B721/B731)	1st line 2nd line	<input type="checkbox"/> Print Cartridge Near Life	-	
	1st line 2nd line	<input type="checkbox"/> Print Cartridge Not Installed	-	
	1st line 2nd line	<input type="checkbox"/> Non OEM Print Cartridge Detected	-	
	1st line 2nd line	<input type="checkbox"/> Incompatible Print Cartridge	-	
	1st line 2nd line	<input type="checkbox"/> Non Genuine Print Cartridge	-	
	1st line 2nd line	<input type="checkbox"/> Print Cartridge Life	-	
	1st line 2nd line	<input type="checkbox"/> Print Cartridge Life, %PAGES% Pages Left	-	
	1st line 2nd line	<input type="checkbox"/> Print Cartridge Life, Print Quality Not Guaranteed	-	
	1st line 2nd line 3rd line 4th line 5th line	Install New Print Cartridge Print Cartridge Life  To Exceed the Life, Press Online Button Please see HELP for details	413	
	1st line 2nd line 3rd line 4th line 5th line	Incompatible Print Cartridge   Please see HELP for details	557, 617, 623, 693, 703, 707	
	1st line 2nd line 3rd line 4th line 5th line	Install New Print Cartridge Print Cartridge Life  Please see HELP for details	563	
	1st line 2nd line 3rd line 4th line 5th line	Install New Print Cartridge Print Cartridge Life  To Exceed the Life, Press Online Button Please see HELP for details	567	
	1st line 2nd line  3rd line 4th line 5th line	Install New Print Cartridge Printing disabled due to low threshold of Print Cartridge life  Please see HELP for details	683	
	1st line 2nd line 3rd line 4th line 5th line	Check Print Cartridge Improper Lock Lever Position  Please see HELP for details	547	
	1st line 2nd line 3rd line 4th line 5th line	Check Print Cartridge   Please see HELP for details	343	

Status	Message on the display screen		Message displayed after the <HELP> button is pressed	Reference Page
			Error Code	
Print Cartridge (in a case of B721/B731)	1st line 2nd line 3rd line 4th line 5th line	Non Genuine Print Cartridge  Please see HELP for details	553, 687	
	1st line 2nd line 3rd line 4th line 5th line	Print Cartridge Not Installed  Please see HELP for details	613, 697	
	1st line 2nd line 3rd line 4th line 5th line	Print Cartridge Sensor Error  Please see HELP for details	543	
Toner Cartridge (in a case of ES7131/ MPS5501b)	1st line 2nd line	<input type="checkbox"/> Toner Low	-	
	1st line 2nd line	<input type="checkbox"/> Non OEM Toner Detected	-	
	1st line 2nd line	<input type="checkbox"/> Incompatible Toner	-	
	1st line 2nd line	<input type="checkbox"/> Non Genuine Toner	-	
	1st line 2nd line	<input type="checkbox"/> Toner Sensor Error	-	
	1st line 2nd line	<input type="checkbox"/> Toner Empty	-	
	1st line 2nd line	<input type="checkbox"/> Toner Not Installed	-	
	1st line 2nd line 3rd line 4th line 5th line	Install Toner  Please see HELP for details	413	
	1st line 2nd line 3rd line 4th line 5th line	Incompatible Toner  Please see HELP for details	557, 617, 623	
	1st line 2nd line 3rd line 4th line 5th line	Check Toner Cartridge Improper Lock Lever Position  Please see HELP for details	547	
1st line 2nd line 3rd line 4th line 5th line	Non Genuine Toner  Please see HELP for details	553		

Status	Message on the display screen		Message displayed after the <HELP> button is pressed	Reference Page
			Error Code	
Toner Cartridge (in a case of ES7131/ MPS5501b)	1st line 2nd line 3rd line 4th line 5th line	Toner Not Installed  Please see HELP for details	613	
	1st line 2nd line 3rd line 4th line 5th line	Toner Sensor Error  Please see HELP for details	543	
Image Drum (in a case of ES7131/ MPS5501b)	1st line 2nd line	<input type="checkbox"/> Image Drum Near Life	-	
	1st line 2nd line	<input type="checkbox"/> Non OEM Image Drum Detected	-	
	1st line 2nd line	<input type="checkbox"/> Incompatible Image Drum	-	
	1st line 2nd line	<input type="checkbox"/> Non Genuine Image Drum	-	
	1st line 2nd line	<input type="checkbox"/> Image Drum Life	-	
	1st line 2nd line	<input type="checkbox"/> Image Drum Life, %PAGES% Pages Left	-	
	1st line 2nd line	<input type="checkbox"/> Image Drum Life, Print Quality Not Guaranteed	-	
	1st line 2nd line 3rd line 4th line 5th line	Install New Image Drum Image Drum Life  Please see HELP for details	563	
	1st line 2nd line 3rd line 4th line 5th line	Install New Image Drum Image Drum Life  To Exceed the Life, Press Online Button Please see HELP for details	567	
	1st line 2nd line  3rd line 4th line 5th line	Install New Image Drum Printing disabled due to low threshold of Image Drum Life  Please see HELP for details	683	
	1st line 2nd line 3rd line 4th line 5th line	Check Image Drum  Please see HELP for details	343	
	1st line 2nd line 3rd line 4th line 5th line	Incompatible Image Drum  Please see HELP for details	693, 703, 707	

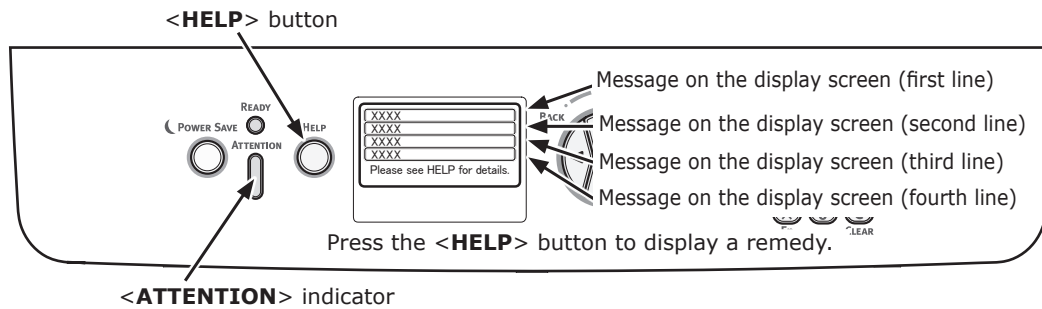
Status	Message on the display screen		Message displayed after the <HELP> button is pressed	Reference Page
			Error Code	
Image Drum (in a case of ES7131/ MPS5501b)	1st line 2nd line 3rd line 4th line 5th line	Non Genuine Image Drum  Please see HELP for details	687	
	1st line 2nd line 3rd line 4th line 5th line	Image Drum Not Installed  Please see HELP for details	697	
Fuser Unit	1st line 2nd line	<input type="checkbox"/> Fuser Unit Near Life	-	
	1st line 2nd line	<input type="checkbox"/> Change Fuser Unit	-	
	1st line 2nd line 3rd line 4th line 5th line	Install New Fuser Unit Fuser Unit Life  Please see HELP for details	354	
	1st line 2nd line 3rd line 4th line 5th line	Check Fuser Unit  Please see HELP for details	320	

# ● When the Message for Paper Replacement or Paper Size Error is Displayed

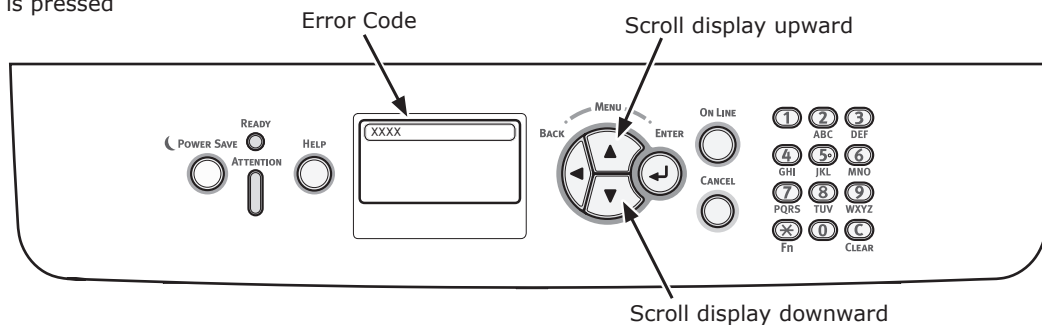
When the media type or media size loaded in a tray does not match the settings specified in the printer driver, the message "Change Paper..." or "Check Paper..." is displayed on the display screen and the **<ATTENTION>** indicator blinks.

Check the message and deal with the problem.

Check the paper size and the settings. For details, refer to "Loading Paper in Trays 1-4" P.31 or "Loading Paper in the MP Tray" P.32.



Display Screen when the <HELP> button is pressed



Status	Message on the Display Screen		Message displayed after the <HELP> button is pressed
	1st Line	2nd Line	Error Code
Install Paper	1st Line	Install Paper	491, 492, 493, 494
	2nd Line	%TRAY%	
	3rd Line	%MEDIA_SIZE%	
	4th Line		
	5th Line	Please see HELP for details	
	1st Line	Install Paper	490
	2nd Line	MPTray	
	3rd Line	%MEDIA_SIZE%	
	4th Line	Press ONLINE Button	
	5th Line	Please see HELP for details	

Status	Message on the Display Screen		Message displayed after the <HELP> button is pressed
			Error Code
Change Paper	1st Line	Change Paper in %TRAY%	661, 662, 663, 664
	2nd Line	%MEDIA_SIZE%	
	3rd Line	%MEDIA_TYPE%	660
	4th Line	Press ONLINE Button	
	5th Line	Please see HELP for details	
	1st Line	Change Paper in MPTray	
Paper Size does not match print data.	2nd Line	%MEDIA_SIZE%	461, 462, 463, 464
	3rd Line	%MEDIA_TYPE%	
	4th Line		460
	5th Line	Please see HELP for details	
	1st Line	Change Paper in MPTray	
	2nd Line	%MEDIA_SIZE%	
Paper Size Error	3rd Line	%MEDIA_TYPE%	400
	4th Line	Press ONLINE Button	
	5th Line	Please see HELP for details	
	1st Line	Check Paper	
	2nd Line	Paper Size Error	
	3rd Line	%TRAY%	
	4th Line		
	5th Line	Please see HELP for details	

## ● Other Error Messages

This section explains the causes and remedies for an error message and the function of the <**ATTENTION**> indicator. An error message appears on the display screen of the operator panel.

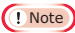
To display an error code, press the <**HELP**> button on the operator panel.

### Error Messages

Error code	Message	<ATTENTION> indicator	Cause/Remedy
Warning	□ Error Postscript	Lights up	Interpreter detects an error due to the following reason. Receive data after this is ignored until the job completion. When the job is completely received, this is automatically cleared. - The job has a grammatical error. - The page is too complicated.
Warning	□ %TRAY% Empty	Lights up	The tray is empty. Treated as Warning until printing to the empty tray is designated.
Warning	□ %TRAY% Lift Up Error	Lights up	Lift Up Error has occurred to Tray. That tray is treated "Paper Empty" as a result, and printing from that tray becomes disabled.
Warning	□ %TRAY% Overfilled	Lights up	Displays that there is too much paper in Tray. This is a warning; thus, printing will not stop.
Warning	□ File System is Full	Lights up	Disk-full is occurring. Because this is a temporary warning, it remains until the end of the job and disappears.
Warning	□ File System is Write Protected	Lights up	An attempt to write in a read-only file was done. Because this is a temporary warning, it remains until the end of the job and disappears.
Warning	□ Erased Data Full	Lights up	Indicates that a secret file waiting to be erased is full.
Warning	□ Accounting Log Buffer is near full	Lights up	It indicates the Job Accounting log buffer is near full.
Warning	□ Accounting Log Buffer Full(Delete old logs)	Lights up	The function isn't accepted because log buffer is full. (Related to JobAccount). This message is displayed, if the log buffer is full and "Operation at Log Full" in Job Accounting Server Software is set to "Delete old logs". The new jobs will be able to execute after the following operations. 1. The log in the unit must be got by Job Accounting Server Software. 2. The setting of "Operation at Log Full" must be changed to "Does not acquire logs".
Warning	□ USB Hub Unsupported Please detach it	Lights up	Indicates that the USB hub is connected, which is not supported by the printer. This status will be displayed until unconnection of that USB hub.
Warning	□ Unsupported USB Device Detected Please detach it	Lights up	Indicates that the USB device is connected, which is not supported by the printer. This status will be displayed until unconnection of that USB device.
Warning	□ Collate Fail:Too Many Pages Press ONLINE Button	Lights up	Memory overflow was occurred in the collate copy. Stays displayed until the ONLINE button is pressed.

Error code	Message	<ATTENTION> indicator	Cause/Remedy
Warning	<input type="checkbox"/> Print Restricted. Job Rejected Press ONLINE Button	Lights up	Jobs have been cancelled because they are not permitted for printing. (Related to JobAccount). Stays displayed until the ONLINE button is pressed.
Warning	<input type="checkbox"/> Log Buffer is Full. Job Rejected Press ONLINE Button	Lights up	Jobs have been cancelled because the log buffer is full. (Related to JobAccount.) Stays displayed until the ONLINE button is pressed.
Warning	<input type="checkbox"/> E-mail receiving has been cancelled Press ONLINE Button	Lights up	Indicates that Email receiving has been canceled. It has the following possibilities. <ul style="list-style-type: none"> <li>- The format of email that has received is illegal or not supported.</li> <li>- The attached file is illegal or not supported.</li> <li>- The attached file that has received is too large, for example, file size exceeds 8MB.</li> <li>- Network connection has disconnected.</li> </ul>
Warning	<input type="checkbox"/> File System Operation failed <nnn> Press ONLINE Button	Lights up	A disk error is occurred, which is other than the file system fill or the disk write protected. Operation that does not involve a disk is available. nnn: An identifier to Error type.
Warning	<input type="checkbox"/> Invalid Secure Data Press ONLINE Button	Lights up	Indicates that a job has been deleted because corruption of data has been detected by the integrity verification in authentication printing.
Warning	<input type="checkbox"/> Invalid Data Press ONLINE Button	Lights up	Invalid data was received. Press the ONLINE switch and eliminate the warning. Displayed when unsupported PDL command is received or a spool command is received without HDD.
Warning	<input type="checkbox"/> Accounting Log Writing Error Press ONLINE Button	Lights up	The Job Accounting log is not registered correctly because of the disc access error is occurred during accounting log writing into HDD (Related to Logging). This message is displayed until ONLINE key pressed.
Warning	<input type="checkbox"/> Error PDF Press ONLINE Button	Lights up	An error in the content of PDF file.
Warning	<input type="checkbox"/> Invalid Password Press ONLINE Button	Lights up	The password of the encrypted PDF is different with the one inputed. The file will not be printed.
Warning	<input type="checkbox"/> Password required to print Press ONLINE Button	Lights up	The PDF is limited not be printed by a password. The owner password is required.
Warning	<input type="checkbox"/> PDF Cache Write Error Press ONLINE Button	Lights up	An error occurred when writing PDF cache. If there is not a HDD installed, add an optional RAM or HDD. If there is a HDD installed, increase available space on HDD.
Warning	<input type="checkbox"/> Decode error occurred Press ONLINE Button	Lights up	Decode error has occurred in a PDF file.

Error code	Message	<ATTENTION> indicator	Cause/Remedy
Warning	<p>□ Cannot read the file</p> <p>Press ONLINE Button</p>	Lights up	Cannot read the file from USB Memory while printing from USB Memory. The USB Memory may be pulled out, or damaged, or file cannot open.
Error 480	<p>Remove Paper Facedown Stacker</p> <p>Please see HELP for details</p>	Blink	The printed paper is overfilled on the paper stacker of the printer unit.
Error 420	<p>Press ONLINE Button for Restoration Memory Overflow</p> <p>Please see HELP for details</p>	Blink	Memory capacity overflows.
Error 517	<p>Wireless startup failed</p> <p>Press ONLINE Button</p> <p>Please see HELP for details</p>	Blink	An error occurred at the communication with wireless bridge. For example, response timeout, etc. This status only for wireless LAN model.
Error 504	<p>This wireless firmware version does not operate on this device</p> <p>Press ONLINE Button</p> <p>Please see HELP for details</p>	Blink	The major version is not the same with wireless bridge. This status only for wireless LAN model.
Error 505	<p>Wireless settings are incomplete</p> <p>Press ONLINE Button</p> <p>Please see HELP for details</p>	Blink	Wireless LAN can not startup. Some setting need to be re-configured. This status only for wireless LAN model.
Error 506 (ONLINE)	<p>Not connected to wireless access point</p> <p>Press ONLINE Button</p> <p>Please see HELP for details</p>	Blink	Can not setup communication with an Access Point(there is not an usable AP). This status only for wireless LAN model.
Error (ONLINE)	<p>Check Data Message Data Write Error&lt;%CODE%&gt;</p>	Lights up	Indicates that writing of message data to be uploaded has been failed.
Error 519 (ONLINE)	<p>Press ONLINE Button for Restoration Receiving Data Timeout</p> <p>Please see HELP for details</p>	Blink	When receiving data by Port9100, LPR, FTP, IPP, WSD, or Email, a timeout occurred.
Error (ONLINE)	<p>Firmware Update Error</p> <p>Please try again</p> <p>If network doesn't work, please try firmware update over USB</p>	Lights up	FW Update was failed. When this error occurred, the FW Update needs to be executed again, and the printer needs to keep ONLINE.
Error 581	<p>Faceup Stacker Open Duplex Not Available</p> <p>Please see HELP for details</p>	Blink	It is occurred when duplex printing pages are added at the faceup stacker cover opened.
Error 440 441 442	<p>Install Paper Cassette %TRAY%</p> <p>Please see HELP for details</p>	Blink	Indicates removal of the paper cassette of Tray 1 that is a paper path in attempting to print from Tray 2, 3, or 4. Error 440 : Tray1 Error 441 : Tray2 Error 442 : Tray3

Error code	Message	<ATTENTION> indicator	Cause/Remedy
Error 430 431 432 433	Install Paper Cassette %TRAY%  Please see HELP for details	Blink	Indicates that paper feed is unavailable in attempting to print from Tray 1 due to removal of the paper cassette of Tray 1. (Occurs only when Tray 2 has been installed.) %TRAY% Error 430 : Tray1 Error 431 : Tray2 Error 432 : Tray3 Error 433 : Tray4
Error 709	Caution, unknown Consumable detected Go to User Manual "Trouble Shooting" to restore operation	Blink	You can use any consumables in your product, but you must accept the risks of using non-genuine consumables. If the use of non-genuine consumables causes damage to the product or results in your product not functioning to its full specification, then such damage or effect on the product is not covered by warranty. To accept these risks and to restore function; 1. Turn off your product 2. Press and hold the CANCEL button and turn your product on 3. After start up, release the CANCEL button  <b>Note</b> This operation will be recorded for future reference.
Error 409	Open Front Cover Faceup Stacker Error  Please see HELP for details	Blink	Indicates stop printing because the faceup stacker was operated while printing, and to have assumed the error.
Error 310 311 587	Close Cover %COVER%  Please see HELP for details	Blink	The cover is open. Error 310 : Top Cover Error 311 : Front Cover Error 587: Rear Cover
nnn*	Service Call nnn: Error	Blink	An error occurred inside the printer. Turn the printer off and then on again.
nnn*	Power Off/On nnn:Error PC:nnnnnnnn LR:nnnnnnnn FR:nnnnnnnn	Blink	A fatal error has occurred in a printer. Write down the indicated alphanumeric characters and contact your dealer.

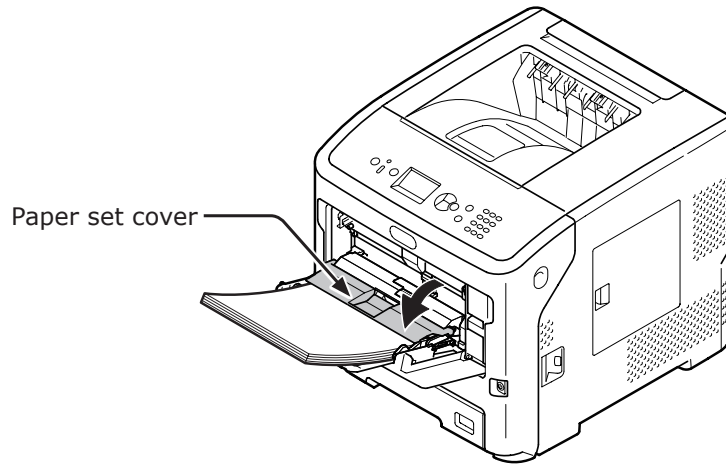
## ● When You Cannot Print

This section explains the issues you may encounter while operating your printer and how to solve them.

### When You Cannot Print from the MP Tray

If you print from the MP Tray without moving down the paper set cover, the message "Install Paper MPTray" is displayed on the display screen.

Check the message and deal with the problem.  
Refer to "[Loading Paper in the MP Tray](#)" P.32.



## Unable to Print from a Computer



- For issues caused by an application, contact the manufacturer of the application.

### General Causes

#### ■ Common to Windows and Mac OS X

Cause	Remedy	Reference Page
The printer is in the sleep mode.	Press the < <b>POWER SAVE</b> > button on the operator panel to enter the standby mode. If the sleep mode is not used, disable it by pressing the ▼ button then selecting [ <b>Admin Setup</b> ], [ <b>Power Setup</b> ], [ <b>Sleep</b> ], then [ <b>Disable</b> ].	<a href="#">page 29</a>
The printer is turned off.	Turn on the printer.	<a href="#">page 28</a>
The cable between the printer and computer is disconnected.	Check that the cable is plugged into the printer and computer properly.	-
Something is wrong with the cable.	Replace it with a new one.	-
The printer is off line.	Press the < <b>ON LINE</b> > button on the operator panel.	-
An error message is displayed on the display screen of the operator panel.	Refer to "Other Error Messages" or press the < <b>HELP</b> > button on the operator panel.	<a href="#">page 104</a>
The interface setting is disabled.	Check the setting of the interface being used on the operator panel.	Advanced
Something is wrong with the print function.	Check if you can print the contents of the settings.	<a href="#">page 43</a>

#### ■ For Windows

Cause	Remedy	Reference Page
The printer is not set as a default printer.	Set the printer as a default printer.	-
The output port for the printer driver is incorrect.	Select the output port to which the Ethernet, USB or parallel cable is connected.	-
A print job from another interface is in progress.	Wait until the print job is done.	-
" <b>Invalid Data</b> " is displayed on the display screen and printing cannot be done.	Press the ▼ button and select [ <b>Menus</b> ], [ <b>System Adjust</b> ], then [ <b>Timeout Injob</b> ], then select a longer time. The factory default setting is 40 minute.	-
A print job is automatically canceled.	If using Print Job Control, the print job is not authorized to print, or the Job Accounting log buffer may be full.	Advanced

### Network Connection Problems

#### ■ Common to Windows and Mac OS X

Cause	Remedy	Reference Page
A crossover cable is used.	Use a straight cable.	-
The printer was turned on before the cable is connected.	Connect cables before turning on the printer.	<a href="#">page 28</a>

Cause	Remedy	Reference Page
The hub and the printer are incompatible or have some problem.	Press the ▼ button on the operator panel and select [ <b>Admin Setup</b> ], [ <b>Network Setting</b> ], then [ <b>Hub Link Setting</b> ], then select [ <b>10Base-T Half</b> ].	-
It takes much time to print because of the hub settings.	Press the ▼ button on the operator panel and select [ <b>Admin Setup</b> ], [ <b>Network Setup</b> ], then [ <b>TCP ACK</b> ], then select [ <b>Type2</b> ].	-

## ■ For Windows

Cause	Remedy	Reference Page
IP address is incorrect.	Check that the same IP address is set for the printer and the printer's port setting on the computer. If using OKI LPR Utility, check the IP address setting in OKI LPR Utility.	<a href="#">page 68</a>

## USB Connection Problems

### ■ Common to Windows and Mac OS X

Cause	Remedy	Reference Page
Unsupported USB cable is being used.	Use a USB 2.0 cable.	-
A USB hub is being used.	Connect the printer directly to the computer.	<a href="#">page 67</a>
Printer driver is not installed correctly.	Reinstall printer driver.	<a href="#">page 68</a> <a href="#">page 74</a>

## ■ For Windows

Cause	Remedy	Reference Page
The printer is off line.	Right-click the printer icon in the [ <b>Devices and Printers</b> ] folder, and then select [ <b>See what's printing</b> ] ([ <b>printer name*</b> ] when multiple printer drivers are installed). In the dialog box displayed, select the [ <b>Printer</b> ] menu and then remove the check from [ <b>Use Printer Offline</b> ]. * Select the type of a printer driver you want.	-
A switch, buffer, extension cable, or USB hub is being used.	Connect the printer directly to the computer.	<a href="#">page 57</a>
A driver for a different printer that uses a USB connection has been installed.	Delete the other printer driver from the computer.	-

## Unable to Install a Printer Driver Successfully



- If the following information does not solve the issue, contact your dealer.
- For issues caused by an application, contact the manufacturer of the application.

### USB Connection Problems

#### ■ For Windows

Symptom	Cause/Remedy	Reference Page
An icon of the printer is not created on the [Devices and Printers] folder.	Printer driver is not installed correctly. Reinstall the printer driver correctly.	<a href="#">page 68</a>
Only the first printer driver is installed even if multiple printer drivers are selected to install.	Follow the procedure below to install the second and subsequent printer drivers: 1. Load the "Software DVD-ROM" in the computer. 2. Click [ <b>Run setup.exe</b> ] and follow the on-screen instructions. 3. Select [ <b>USB connection</b> ] from [ <b>Interface Selection</b> ]. Click [ <b>Next</b> ]. 4. Click [ <b>Custom Install</b> ], select a driver to be installed and then click [ <b>Install</b> ]. 5. Check the driver to be installed, and click [ <b>Start</b> ]. 6. When "Installing drivers and applications..." is displayed, click [ <b>Install using another port</b> ]. 7. Select [ <b>USBxxx</b> ] on the port list of [ <b>Printer Port</b> ] and the click [ <b>Next</b> ]. 8. Follow the on-screen instructions to complete the installation.	-
The error message "Unable to install printer driver" is displayed.	Use Plug-and-Play. Follow the procedure below. 1. Ensure that the printer and computer are turned off. 2. Connect a USB cable. 3. Turn on the printer. 4. Turn on the computer. 5. When the " <b>Found New Hardware Wizard</b> " is displayed, follow the on-screen instructions to complete the setup.	-

## OS-Specific Constraints

### Constraints with Windows 8/Windows Server 2012/Windows 7/Windows Vista/Windows Server 2008 R2/Windows Server 2008

Item	Symptom	Cause/Remedy
Printer drivers	[ <b>Help</b> ] is not displayed.	The [ <b>Help</b> ] function is not supported on PS printer drivers.
	The [ <b>User Account Control</b> ] dialog is displayed.	When you launch an installer or utility, the [ <b>User Account Control</b> ] dialog may be displayed. Click [ <b>Yes</b> ] or [ <b>Continue</b> ] to run the installer or utility as an administrator. If you click [ <b>No</b> ] or [ <b>Cancel</b> ], the installer or utility does not start.
Network Extension	[ <b>Help</b> ] is not displayed.	The [ <b>Help</b> ] function is not supported.
	The [ <b>User Account Control</b> ] dialog is displayed.	When you launch an installer or utility, the [ <b>User Account Control</b> ] dialog may be displayed. Click [ <b>Yes</b> ] or [ <b>Continue</b> ] to run the installer or utility as an administrator. If you click [ <b>No</b> ] or [ <b>Cancel</b> ], the installer or utility does not start.
	The [ <b>Program Capability Assistant</b> ] dialog is displayed.	If the [ <b>Program Capability Assistant</b> ] dialog is displayed after an installation (including if you stop an installation before it is completed), be sure to click [ <b>This program installed correctly</b> ].
PS Gamma Adjuster	The [ <b>User Account Control</b> ] dialog is displayed.	When you launch an installer or utility, the [ <b>User Account Control</b> ] dialog may be displayed. Click [ <b>Yes</b> ] or [ <b>Continue</b> ] to run the installer or utility as an administrator. If you click [ <b>No</b> ] or [ <b>Cancel</b> ], the installer or utility does not start.
	The [ <b>Program Capability Assistant</b> ] dialog is displayed.	If the [ <b>Program Capability Assistant</b> ] dialog is displayed after an installation (including if you stop an installation before it is completed), be sure to click [ <b>This program installed correctly</b> ].

4

Troubleshooting

### Constraints with Windows Firewall

On Windows XP Service Pack 2 and Windows Server 2003 Service Pack 1 and after, the Windows firewall functionality is enhanced. The following constraints may apply to printer drivers and utilities.



- The following procedures are explained using Windows XP Service Pack 2 as an example. The procedure and menu names may differ on different Windows.


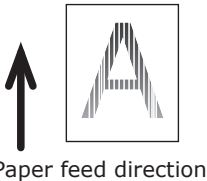


Item	Symptom	Cause/Remedy
Printer drivers	You cannot print a file when using the printer as a shared printer on a network.	On the server, click [ <b>Start</b> ] and then select [ <b>Control panel</b> ], [ <b>Security Center</b> ], then [ <b>Windows Firewall</b> ]. Select the [ <b>Exceptions</b> ] tab and select the [ <b>File and Printer Sharing</b> ] check box. Click [ <b>OK</b> ].
OKI LPR Utility	Unable to find a printer.	If the [ <b>Don't allow exceptions</b> ] check box is selected on the [ <b>General</b> ] tab of the Windows firewall, you cannot search for a printer in a segment that is connected to another router. Only printers within the same segment as the printer can be searched. When you cannot find a printer, specify the IP address of the printer in the [ <b>Add Printer</b> ] or [ <b>Confirm Connections</b> ] screen.




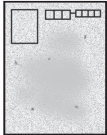
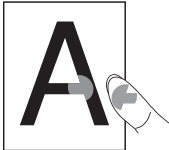
Item	Symptom	Cause/Remedy
Configuration Tool	Unable to find a printer.	If the [ <b>Don't allow exceptions</b> ] check box is selected on the [ <b>General</b> ] tab of the Windows firewall, you cannot search for a printer in a segment that is connected to another router. Only printers within the same segment as the printer can be searched. When you cannot find a printer, you can directly specify the IP address by selecting [ <b>Tools</b> ] then [ <b>Environment Settings</b> ].





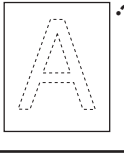

## ● Image Quality Issues

 Memo

- If the following information does not solve your issues, contact your dealer.

Symptom	Cause	Remedy	Reference Page
Vertical lines appear. 	The LED heads are dirty.	Wipe the LED heads with a soft tissue paper.	<a href="#">page 134</a>
	The toner is low.	Replace the toner cartridge.	<a href="#">page 122</a>
	The image drum is damaged.	Replace the print cartridge.	<a href="#">page 122</a>
	Foreign materials may be present on the print cartridge.	Replace the print cartridge.	<a href="#">page 122</a>
	The light-shielding film of the print cartridge is dirty.	Wipe the film with a soft tissue paper.	-
	The print cartridge is not installed properly.	Install the print cartridge properly.	<a href="#">page 122</a>
Printed images are fading vertically. 	The LED heads are dirty.	Wipe the LED heads with a soft tissue paper.	<a href="#">page 134</a>
	The toner is low.	Replace the toner cartridge.	<a href="#">page 122</a>
	The paper is unsuitable.	Use supported paper.	<a href="#">page 38</a>
Printed images are light. 	The toner save is enabled.	Change the toner save settings.	Advanced
	The toner cartridge is not installed properly.	Install the toner cartridge properly.	<a href="#">page 122</a>
	The toner is low.	Replace the toner cartridge.	<a href="#">page 122</a>
	The paper is moist.	Use paper stored in proper temperature and humidity conditions.	<a href="#">page 42</a>
	The paper is unsuitable.	Use supported paper.	<a href="#">page 38</a>
	The paper is unsuitable. The settings of media type and weight are incorrect.	Press the ▼ button and select <b>[Menus] &gt; [Tray Configuration] &gt; the paper tray configuration you are using, and then select the proper values for [Media Type] and [Media Weight]. Or, select a larger value for [Media Weight].</b>	<a href="#">page 33</a>
	Recycled paper is used. The media weight setting is unsuitable.	Press the ▼ button and select <b>[Menus] &gt; [Tray Configuration] &gt; the paper tray configuration you are using, and then select a larger value for [Media Weight].</b>	<a href="#">page 33</a>
Printed images are partially faded. Spots and lines appear. 	The paper is too moist or dry.	Use paper stored in proper temperature and humidity conditions.	<a href="#">page 42</a>
	<b>[Paper Black Setting]</b> is improperly configured.	Press the ▼ button and select <b>[Menus] &gt; [Print Adjust]</b> , and then change the value for <b>[Paper Black Setting]</b> .	-

Symptom	Cause	Remedy	Reference Page
Horizontal lines and spots appear periodically. 	If the interval of lines or spots is about 94 mm (4 inches), the image drum (the green tube) is damaged or dirty.	Lightly wipe the image drum with soft tissue paper. Replace the image drum if it is damaged.	<a href="#">page 126</a> <a href="#">page 129</a>
	If the interval of lines or spots is about 37 mm (1.5 inches), foreign materials may be present on the image drum.	Open and close the top cover, and print again.	-
	If the interval of lines or spots is about 143 mm, there is damage to the fuser unit.	Replace the fuser unit.	<a href="#">page 130</a>
	The print cartridge has been exposed to light.	Place the print cartridge back into the printer and leave it for a few hours. If that does not solve the problem, replace the print cartridge.	<a href="#">page 122</a>
	The paper feed path is dirty.	Print a few test pages.	-
White area of paper is lightly stained. 	The paper contains static electricity.	Use paper stored in proper temperature and humidity conditions.	<a href="#">page 42</a>
	The paper is too thick.	Use thinner paper.	-
	The toner is low.	For the models B721/B731: Replace the print cartridge. For the models ES7131/ MPS5501b: Replace the toner cartridge.	<a href="#">page 122</a> <a href="#">page 124</a>
Periphery of letters is smudged. 	The LED heads are dirty.	Wipe the LED heads with soft tissue paper.	<a href="#">page 134</a>
	The paper is unsuitable.	Use supported paper.	<a href="#">page 38</a>
	The paper is moist.	Replace it with new paper.	<a href="#">page 42</a>
The entire paper area is lightly stained when printing on envelopes or coated paper. 	The toner may be sticking to the whole area of the envelope or coated paper.	This is not a malfunction of the printer. Coated paper is not recommended.	-
Toner comes off when it is rubbed. 	The settings of media type and weight are incorrect.	Press the ▼ button and select <b>[Menus] &gt; [Tray Configuration]</b> > the paper tray configuration you are using, and then select the proper values for <b>[Media Type]</b> and <b>[Media Weight]</b> . Or, select a larger value for <b>[Media Weight]</b> .	-
	Recycled paper is used. The media weight setting is unsuitable.	Press the ▼ button and select <b>[Menus] &gt; [Tray Configuration]</b> > the paper tray configuration you are using, and then select a larger value for <b>[Media Weight]</b> .	-

Symptom	Cause	Remedy	Reference Page
Glossiness is not uniform. 	The settings of media type and weight are incorrect.	Press the ▼ button and select [Menus] > [Tray Configuration] > the paper tray configuration you are using, and then select the proper values for [Media Type] and [Media Weight]. Or, select a larger value for [Media Weight].	-
Dots appear. 	The paper is unsuitable. If the interval of lines or spots is about 94 mm (4 inches), the image drum (the green tube) is damaged or dirty.	Use supported paper. Lightly wipe the image drum with soft tissue paper. Replace the image drum if it is damaged.	page 38 page 126 page 129
Smears are printed. 	The paper is moist. The paper is unsuitable.	Contact your dealer. Use supported paper.	Back cover page 38
The background of a printed page is dark or dirty. 	The printer may be malfunctioning.	Contact your dealer.	Back cover
Nothing is printed. 	Two or more sheets of paper are fed simultaneously. The printer may be malfunctioning.	Fan the paper well and load it again. Contact your dealer.	page 31 -
Patches appear. 	The paper is moist. The paper is unsuitable.	Replace it with new paper. Use supported paper.	page 42 page 38

## ● Feeding Issues



- If the following information does not solve the issue, contact your dealer.



Symptom	Cause	Remedy	Reference Page
<ul style="list-style-type: none"> <li>• The paper often jams.</li> <li>• Multiple sheets are fed at once.</li> <li>• The paper is fed at an angle.</li> </ul>	The printer is tilted.	Place the printer on a flat surface.	<a href="#">page 15</a>
	The paper is too thin or too thick.	Use the appropriate paper for the printer.	<a href="#">page 31</a>
	The paper is moist or has a static charge.	Use paper stored in proper temperature and humidity conditions.	<a href="#">page 42</a>
	The paper is wrinkled, folded or curled.	Use the appropriate paper for the printer. Fix the curled paper.	<a href="#">page 31</a>
	Something is already printed on the back side of the paper.	With trays 1/2/3/4, you cannot use paper that has been printed. Load it on the MP Tray for printing.	<a href="#">page 32</a>
	The edges of the paper are not kept even.	Fan the paper and even up the edges.	<a href="#">page 31</a>
	There is only one sheet of paper in the tray.	Load several sheets of paper.	<a href="#">page 31</a>
	You have added more paper with paper already loaded in the tray.	Remove the already loaded paper, stack it onto the new paper, even up the edges and load the paper with the old paper on top.	<a href="#">page 31</a>
	The paper is loaded at an angle.	For trays 1/2/3/4, adjust the paper width guide and stopper to the paper. For the MP Tray, adjust the paper width guide to the paper.	<a href="#">page 31</a>
	Envelopes are not correctly loaded.	Load envelopes correctly.	<a href="#">page 32</a>
Paper, envelopes, or labels of weight between 177 and 220 g/m <sup>2</sup> is loaded in tray 1 and tray 2.	Load the paper, envelopes, or labels of weight between 177 and 220 g/m <sup>2</sup> on the MP Tray, and use the faceup stacker.	<a href="#">page 32</a> <a href="#">page 38</a>	
Paper does not feed into the printer.	The setting of [ <b>Source</b> ] in the printer driver is not correctly specified.	Check the paper tray and select the correct tray in [ <b>Source</b> ] in the printer driver.	-
	You have specified manual feeding on the printer driver.	In the printer driver, clear the [ <b>Use MP Tray as manual feed</b> ] check box on [ <b>Paper feed options</b> ].	Advanced
The printer does not start processing even though you have removed the jammed paper.	-	Open then close the front cover.	-
The paper gets folded or wrinkled.	The paper is moist or has a static charge.	Use paper stored in proper temperature and humidity conditions.	<a href="#">page 42</a>
	The paper is thin.	Press the ▼ button and then select [ <b>Menus</b> ] > [ <b>Tray Configuration</b> ] > [( <b>tray name</b> ) <b>Config</b> ], then [ <b>Media Weight</b> ]. Then, specify a lighter weight.	<a href="#">page 32</a>

Symptom	Cause	Remedy	Reference Page
The paper twists around the rollers in the fuser unit.	The settings of media type and weight are incorrect.	Press the ▼ button and then select <b>[Menus] &gt; [Tray Configuration] &gt; [(tray name) Config]</b> , then specify the appropriate values in <b>[Media Type]</b> or <b>[Media Weight]</b> . Or, specify a heavier weight in <b>[Media Weight]</b> .	<a href="#">page 32</a>
	The paper is thin.	Use thicker paper.	-
	There is an image or text on the leading edge of the paper.	Add a margin on the leading edge of the paper. If it is not possible to add a margin, print the page after rotating it 180 degrees. For duplex printing, leave a margin in the leading and bottom edges.	-

## ● Machine Issues








- If the following information does not solve the issue, contact your dealer.














Symptom	Cause	Remedy	Reference Page
You turned on the printer, but nothing displays on the screen.	The AC cable is unplugged.	Turn off the printer and then plug in the AC cable firmly.	-
	The power is out.	Check if the power is being supplied to the electric outlet.	-
The printer does not operate.	The AC cable is not firmly plugged in.	Plug in the AC cable firmly.	-
	The printer is turned off.	Turn on the printer.	page 29
	The printer shuts itself off automatically by the auto power off function.	Disable the auto power off function.	page 48
	Printer does not respond.	Hold down the power switch for more than 5 seconds to turn off the printer forcibly.	-
The LED indicator in the power switch is blinking at high speed per about 0.3 seconds. 	The printer may be malfunctioning.	 Unplug the AC cable immediately.	-
The printer does not start printing.	An error is displayed on the panel.	Check the error code and follow the on-screen instructions.	page 104
	The cable used for the interface connection is unplugged.	Plug in the cable used for the interface connection firmly.	page 57
	Something is wrong with the cable used for the interface connection.	Use different cables.	-
	The printer does not support the cable used for the interface connection.	Use a USB 2.0 compatible cable. Use an Ethernet 10BASE-T /100BASE-TX compatible cable.	-
	Something may be wrong with the printing function.	Press the ▼ button, select [ <b>Print Information</b> ] then [ <b>Configuration</b> ], and then print the contents of the settings to check the printing function.	page 43
	The interface is disabled.	Press the ▼ button, select [ <b>Admin Setup</b> ] then [ <b>Network Setup</b> ], and enable the interface you are using.	-
	The printer driver of the printer is not selected.	Set the printer driver of the printer to be used as the default printer.	-
	The output port for the printer driver is incorrect.	Specify the port the Ethernet or USB cable is connected to.	-
The display screen is blank.	The printer is in the sleep mode.	Check that the <POWER SAVE> button is blinking and press the <POWER SAVE> button to activate the printer.	page 29
Print data is not transmitted to the printer.	The cable used for the interface connection is broken.	Connect a new cable.	-
	The time-out period set on the computer has passed.	Set a longer time-out period.	-

Symptom	Cause	Remedy	Reference Page
There is an abnormal sound.	The printer is tilted.	Place the printer on a flat surface.	-
	There is a piece of paper or foreign object inside the printer.	Check the inside of the printer and remove any objects.	-
	The top cover is open.	Close the top cover.	-
There is a buzzing sound.	The printer is printing on the heavy or narrow paper when the temperature inside it is high.	This is not a malfunction. You can proceed with the operation.	-
It takes a while to start printing.	The printer is warming up from the power save or sleep mode.	Press the ▼ button, select <b>[Admin Setup] &gt; [Power Setup]</b> , then <b>[Power Save]/[Sleep]</b> , then disable both modes.	page 29
	The printer may be cleaning the image drum.	Wait for a while.	-
	The printer is adjusting the temperature of the fuser unit.	Wait for a while.	-
	The printer is processing data from another interface.	Wait until the process finishes.	-
A print job has stopped in the middle of the printing process.	As a result of processing print jobs continuously for a long time, the inside the printer has become hot. The printer is cooling off.	Wait for a while. When the fuser unit becomes cooler, printing restarts automatically.	-
	As a result of processing print jobs continuously for a long time, the temperature inside the printer has become too high. The printer is cooling off.	Wait for a while. When the printer becomes cooler, printing restarts automatically.	-
	When the print processing is overloaded by printing with the WSD port, a computer may stop sending.	Retry to send data on a computer. If the error is not resolved, use other network port.	-
Memory is insufficient.	A printer is short on memory because print data is too large.	Reduce the print quality with a printer driver.	Advanced
It takes a long time to finish printing.	The processing speed of the computer may be slowing down the print job.	Use a computer with faster processing speed.	-
	You have selected <b>[Fine/Detail (1200x1200)]</b> on the <b>[Job Options]</b> tab of the printer driver.	Select <b>[Normal (600x600)]</b> on the <b>[Job Options]</b> tab of the printer driver.	-
	The print data is complex.	Make the data simpler.	-
	Quiet Mode is selected.	Press the ▼ button, select <b>[Menus] &gt; [Print Adjust]</b> , then <b>[Quiet Mode]</b> , and then change the setting.	Advanced
The printer driver is not correctly displayed on Mac OS X.	The printer driver may not be operating correctly.	Uninstall the printer driver then reinstall it.	Advanced
Paper is curled.	Thin paper is used.	Set an appropriate paper weight. Or, press the ▼ button, select <b>[Menus] &gt; [Print Adjust]</b> then <b>[High Humid Mode]</b>	Advanced

# 5. Maintenance

This chapter explains how to replace consumables and maintenance units, clean the printer, and move or transport the printer.

 <b>WARNING</b>		
	Do not throw the toner or toner cartridge into the fire. Doing so may cause toner splashes leading to burns.	
	Do not keep the toner cartridge in places close to the fire. It may catch the fire, which cause fire and burns.	
		Do not vacuum spilled toner powder. If vacuuming, it may cause ignition due to the sparks from electric contacts. Toners spillage on the floor should be wiped off by wet clothes.

 <b>CAUTION</b>		
	There are high temperature parts in the device. Do not touch the periphery of the label "Caution High Temperature", which may cause burns.	
	Keep the toner cartridge out of reach of young children. If young children swallow toner powder, follow the doctor's direction immediately.	
	If the toner powder sticks to your skin like your hands, wash with soap.	
	If the toner gets into the eyes, flush with plenty of water immediately. Follow the doctor's direction if necessary.	
	When handling a paper jam, or replacing the toner cartridge, make sure not to get your cloth and hands dirty. When toner powder stains on your cloth, wash with cold water. If you wash with hot water, the toner may be soaked into the cloth; it may be difficult to clean.	
	Do not disassemble the toner cartridge. Toner powder may fly upward, and you may inhale the toner powder or may get your cloth and hands dirty.	
		Keep a used toner cartridge in a bag so that the toner powder can not fly upward.

 **Note**

- Use only genuine Oki Data consumable items to ensure optimum quality.
- Service for problems due to use of consumable items other than genuine OKI consumables will incur fees even in the warranty period or the maintenance contract period.

# • Replacing Print Cartridges

## If the B721/B731 is Used

### Life Span of a Print Cartridge

When the [**Print Cartridge Near Life**] message is displayed on the display screen of the operator panel, prepare a replacement print cartridge. You can keep printing approximately 250 sheets until the next message is displayed.

When [**Print Cartridge Life**] is displayed and printing is stopped, replace the print cartridge.

**Note**

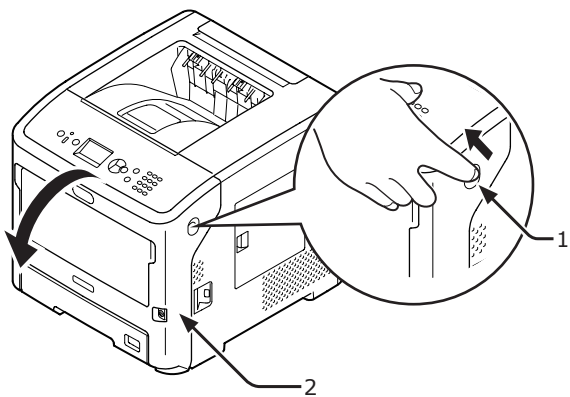
- The actual life of the print cartridge differs depending on the usage.

### Replacement Procedure

- 1 Prepare a new print cartridge.
- 2 Insert your finger into the recess on the right side of the printer and pull the front cover open lever (1) to open the front cover (2) forward.

**Note**

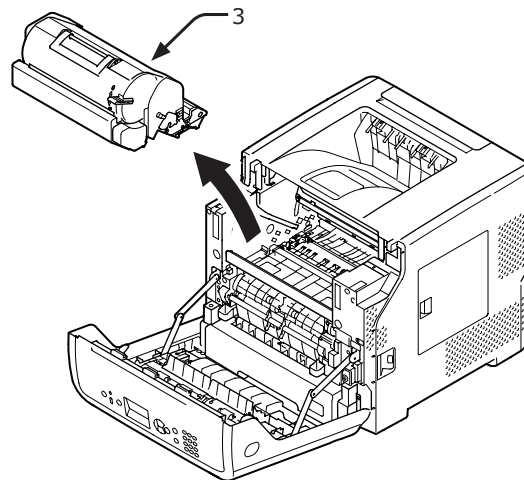
- Open the front cover gently. If you open it rapidly, the MP Tray may open.



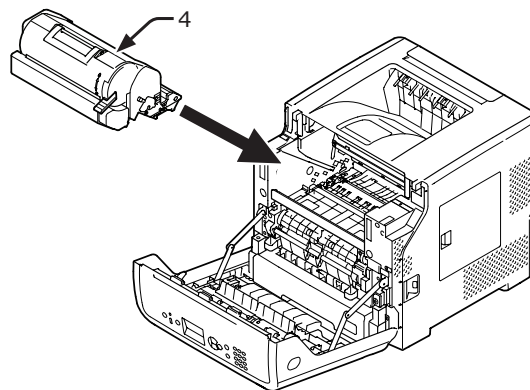
- 3 Remove the print cartridge (3).

**Note**

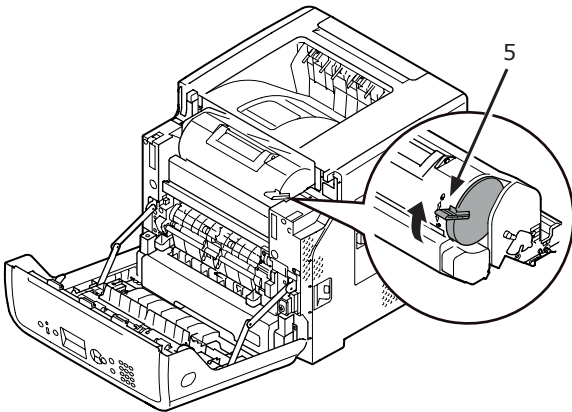
- When toner powder adheres to the paper feeding area inside the printer, wipe it off with a wet cloth that has been well wrung.



- 4 Take out the new print cartridge from its bag and remove the desiccant attached to it.
- 5 Place a new print cartridge (4) into the printer.



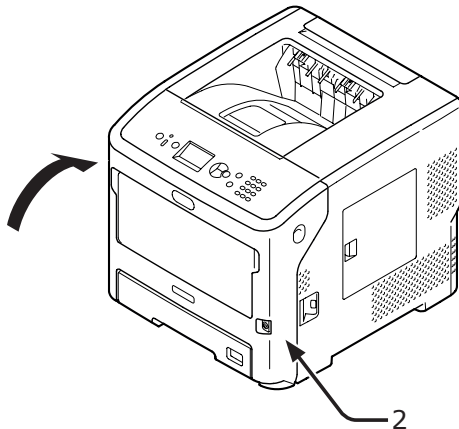
- 6 Turn the blue lever (5) of the print cartridge fully in the direction of the arrow while pressing the top of the print cartridge.



- 7 Close the front cover (2).

**Note**

- The front cover cannot be closed completely if the top cover is not closed.



- 8 Please recycle used print cartridges.

**Memo**

- If you must dispose of a toner cartridge, put it in a plastic bag or similar container and dispose of it in accordance with your municipality's ordinances or guidelines.

# • Replacing Toner Cartridge or Image Drum

**If the ES7131/MPS5501b is used**

## Life Span of a Toner Cartridge

When the [**Toner Low**] message is displayed on the display screen of the operator panel, prepare a replacement toner cartridge.

If you continue printing, the message [**Install toner**] will be displayed and printing will stop.

Approximately 250 sheets may be able to be printed after [**Toner Low**] is displayed until [**Install toner**] is displayed (when ISO/IEC19752 print-pattern printing).

## Life Span of an Image Drum

When the [**Image Drum Near Life**] message is displayed on the display screen of the operator panel, prepare a replacement image drum.

If you continue printing, the message [**Image Drum Life**] will be displayed and printing will stop.

Approximately 500 sheets may be able to be printed after [**Image Drum Near Life**] is displayed until [**Image Drum Life**] is displayed (when single-sided printing is performed on A4-sized paper with 3 sheets at a time).

If you continue to print more than the above, the printer will force the printing to stop.

**Note**

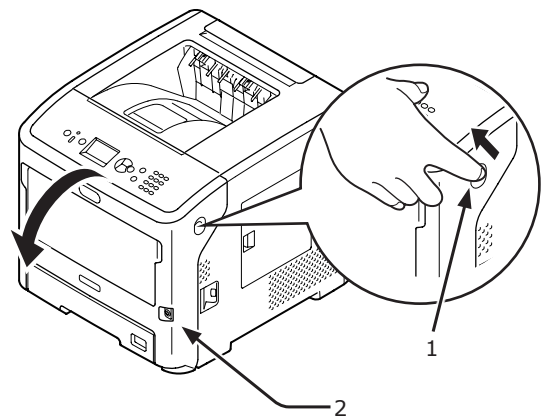
- The actual number of sheets you can print with the image drum depends on how you use it. The above guideline may be reduced by more than half, depending on the conditions of printing.
- Though opening and closing the top cover may extend the life of an image drum for a while, it is recommended to replace it soon after the [**Image Drum Life**] is displayed.
- The print quality may deteriorate after an image drum has been unpacked for a year. Replace it with a new one.
- When [**Near Life Status**] (to be accessed by pressing the ▼ button then selecting [**Admin Setup**] then [**Panel Setup**]) is set to [**Disable**], the [**Image Drum Near Life**] message does not appear.

## Replacing a Toner Cartridge

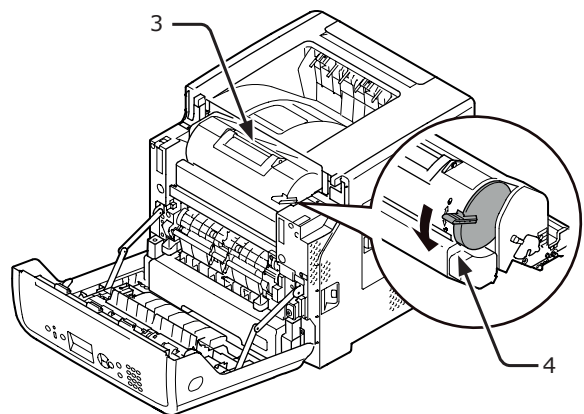
- 1 Prepare a new toner cartridge.
- 2 Insert your finger into the recess on the right side of the printer and pull the front cover open lever (1) to open the front cover (2) forward.

**Note**

- Open the front cover gently. If you open it rapidly, the MP Tray may open.

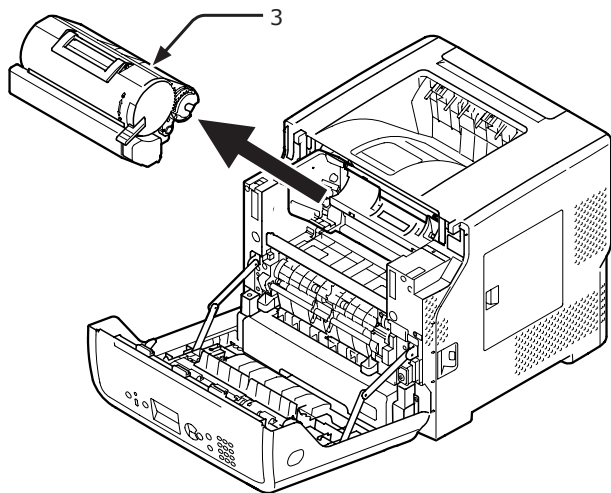


- 3 Turn the right blue lever (4) of the toner cartridge (3) forward while pressing the top of the toner cartridge to unlock.

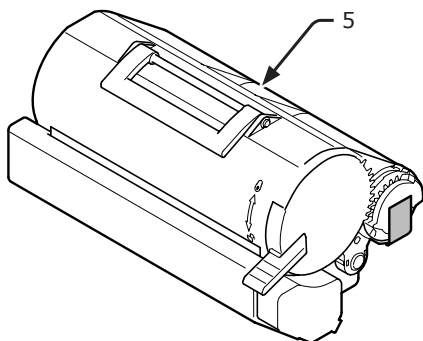


4 Lift the toner cartridge (3) from the right in the direction of the arrow.

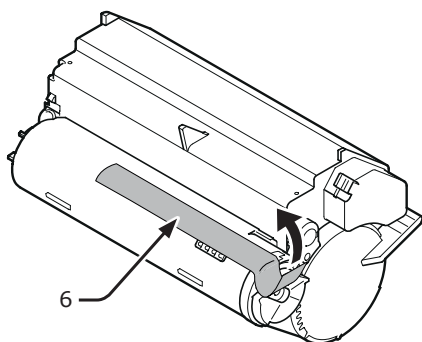
⚠ <b>WARNING</b>	<b>Possible to get burned.</b>	⚠
<ul style="list-style-type: none"> <li>Do not throw a used image drum and toner cartridge in the fire. They may explode, and the toner inside may fly off and cause getting burned.</li> </ul>		



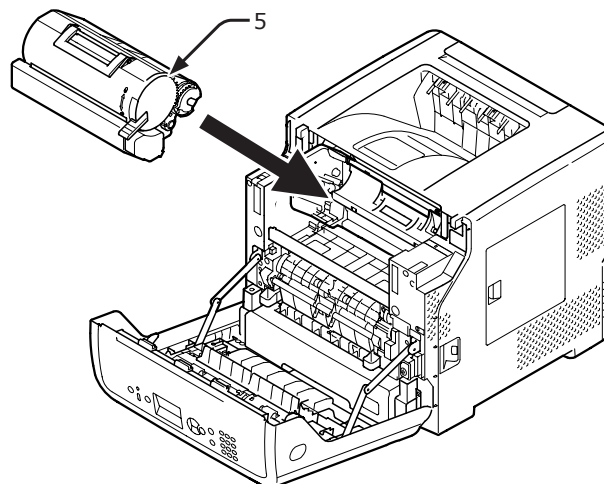
5 Take out the new toner cartridge (5) from its bag.



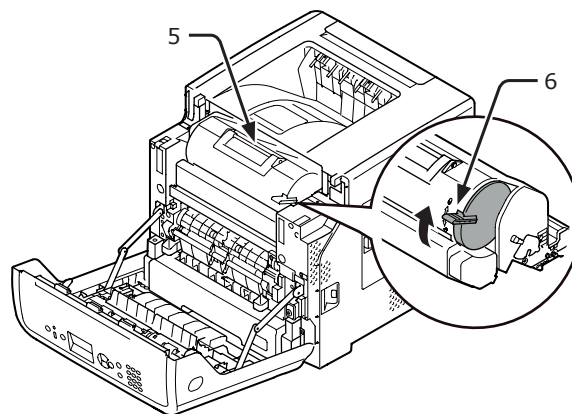
6 Peel off the tape (6) from the toner cartridge.



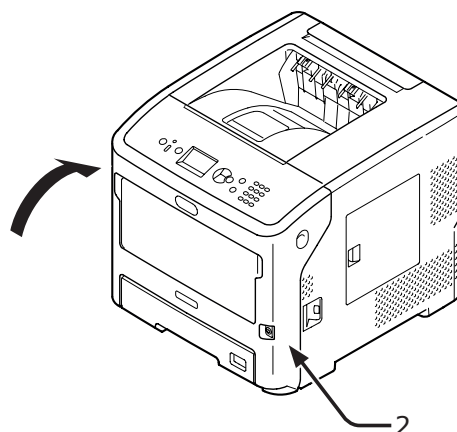
7 Place the new toner cartridge (5) into the printer.



8 Turn the right blue lever (6) of the toner cartridge (5) forward while pressing the top of the toner cartridge to lock.



9 Close the front cover



10 Please recycle a used toner cartridge.

**Memo**

- If you must dispose of a toner cartridge, put it in a plastic bag or similar container and dispose of it in accordance with your municipality's ordinances or guidelines.

## Replacing Only an Image Drum (To continue to use the toner cartridges currently in use)

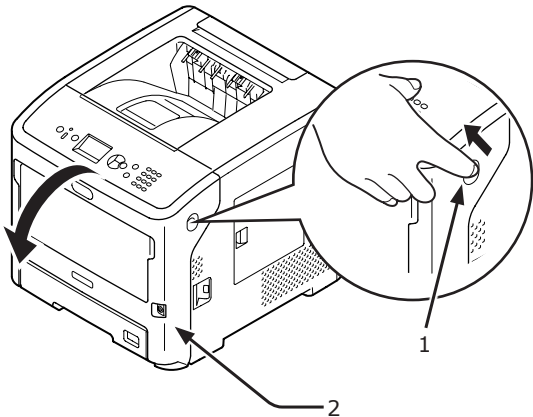
**Note**

- If you use a new image drum with the toner cartridges currently in use, the remaining amount indication of the toner cartridges will not display correctly. The messages **[Toner Low]** or **[Install Toner]** may also be displayed soon after replacement.
- The image drum (the green tube) is very delicate. Handle it carefully.
- Do not expose the image drum to direct sunlight or very bright interior light (approximately more than 1,500 lux). Even under the normal interior light, do not leave it for more than 5 minutes.
- In order for the printer to exhibit its full performance, please use genuine Oki Data consumables.
- Service for problems due to use of consumable items other than genuine OKI consumables will incur fees even in the warranty period or the maintenance contract period. (Use of consumable items other than genuine OKI consumables does not always cause problems, but please exhibit caution when using those.)

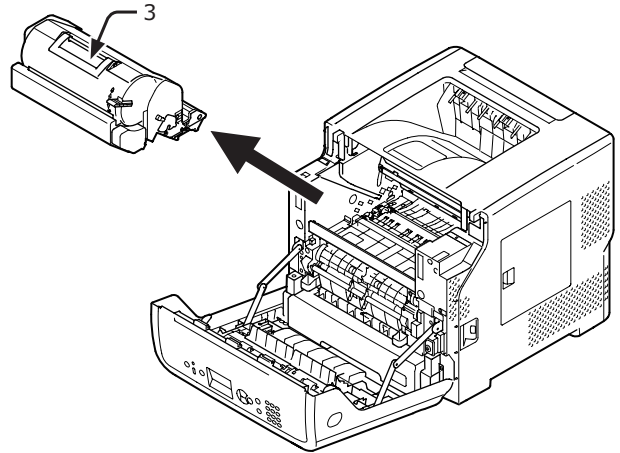
- 1 Prepare a new image drum.
- 2 Insert your finger into the recess on the right side of the printer and pull the front cover open lever (1) to open the front cover (2) forward.

**Note**

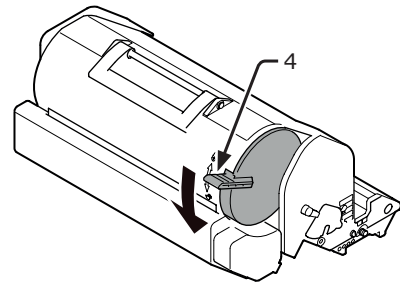
- Open the front cover gently. If you open it rapidly, the MP Tray may open.



- 3 Pull out the image drum (3) in the direction of the arrow and place them on a flat surface.

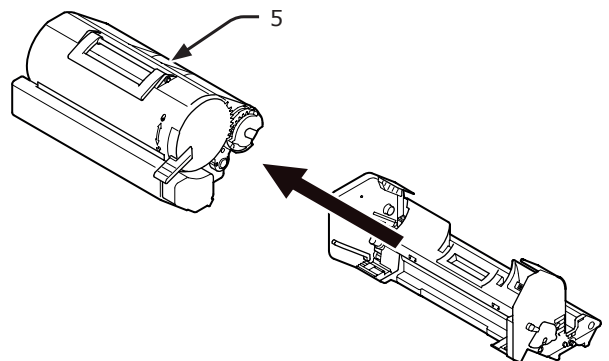


- 4 Turn the right blue lever (4) of the toner cartridge fully in the direction of the arrow while pressing the top of the toner cartridge to unlock.

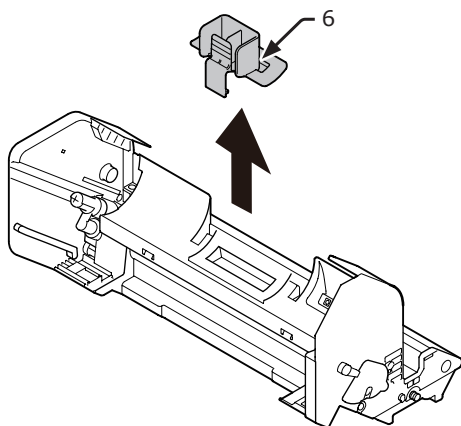


- 5 Lift the toner cartridge (5) in the direction of the arrow, and place it on a flat surface.

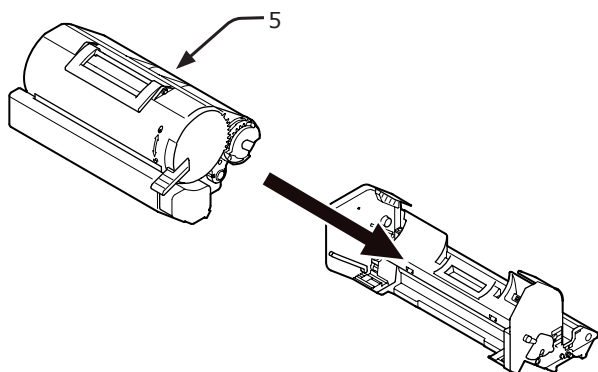
⚠ <b>WARNING</b>	<b>Possible to get burned.</b>	⚠
<ul style="list-style-type: none"> <li>• Do not throw a used image drum and toner cartridge in the fire. They may explode, and the toner inside may fly off and cause getting burned.</li> </ul>		



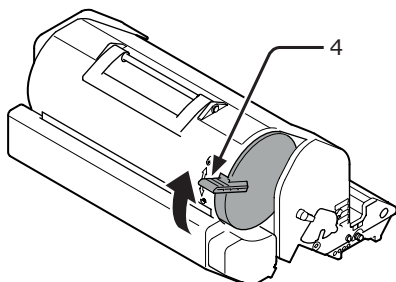
**6** Remove the toner cover (6) and desiccant.



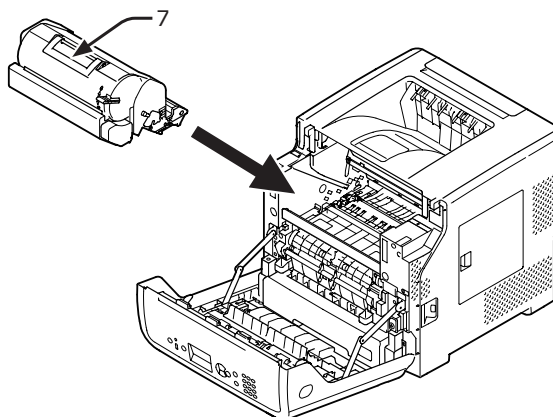
**7** Insert the toner cartridge (5) taken out in step 5 into the image drum in the direction of the arrow.



**8** Turn the blue lever (4) of the toner cartridge fully in the direction of the arrow while pressing the top of the toner cartridge.



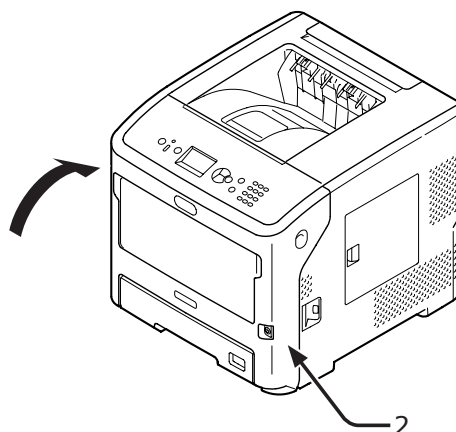
**9** Place a new image drum (7) into the printer.



**10** Close the front cover (2).

**Note**

- The front cover cannot be closed completely if the top cover is not closed.



**11** Please recycle used image drums.

**Memo**

- If you must dispose of an image drum, put it in a plastic bag or similar container and dispose of it in accordance with your municipality's ordinances or guidelines.

## Replacing the Image Drum and Toner Cartridge Simultaneously

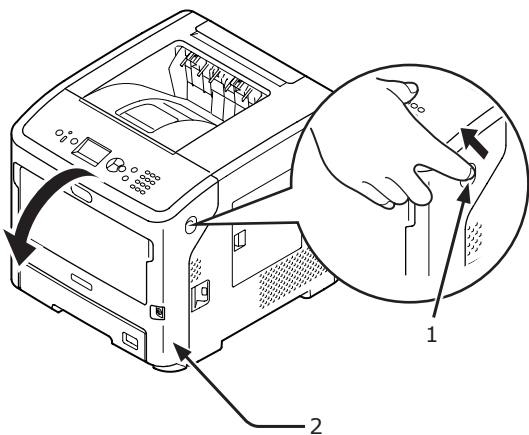
**! Note**

- The image drum (the green tube) is very delicate. Handle it carefully.
- Do not expose the image drum to direct sunlight or very bright interior light (approximately more than 1,500 lux). Even under the normal interior light, do not leave it for more than 5 minutes.
- In order for the printer to exhibit its full performance, please use genuine Oki Data consumables.
- Service for problems due to use of consumable items other than genuine OKI consumables will incur fees even in the warranty period or the maintenance contract period. (Use of consumable items other than genuine OKI consumables does not always cause problems, but please exhibit caution when using those.)

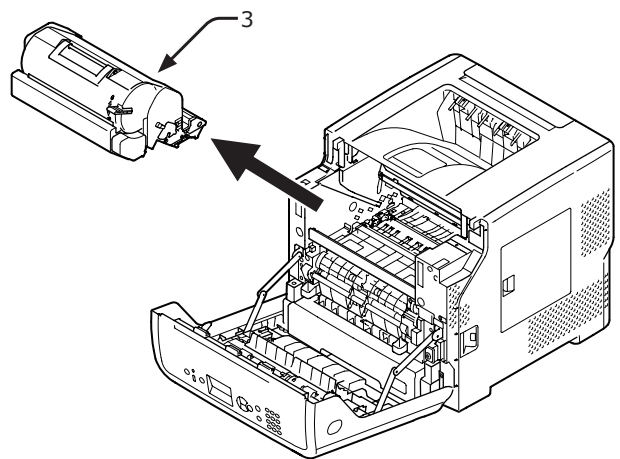
- 1 Prepare a new image drum and a toner cartridge.
- 2 Insert your finger into the recess on the right side of the printer and pull the front cover open lever (1) to open the front cover (2) forward.

**! Note**

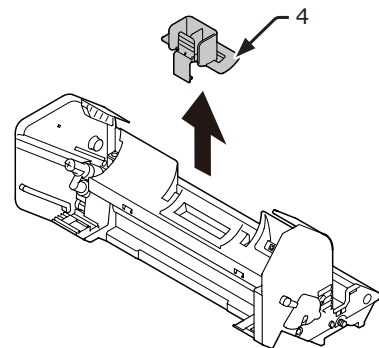
- Open the front cover gently. If you open it rapidly, the MP Tray may open.



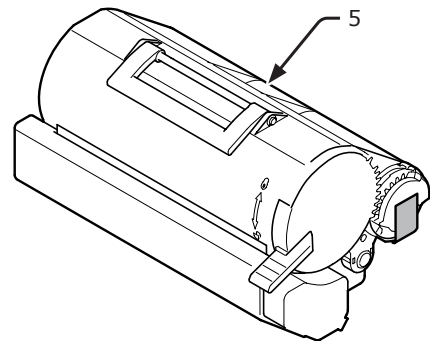
- 3 Remove the used image drum (3), together with the toner cartridge, in the direction of the arrow.



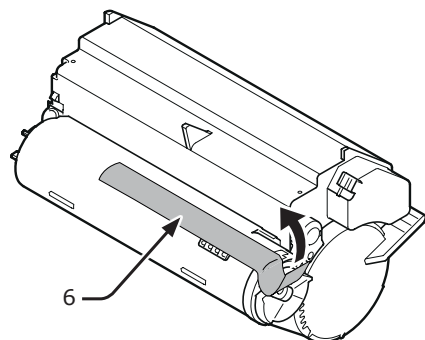
- 4 Remove the toner cover (4) and desiccant.



- 5 Take out the new toner cartridge (5) from its bag.



- 6 Peel off the tape (6) from the toner cartridge.

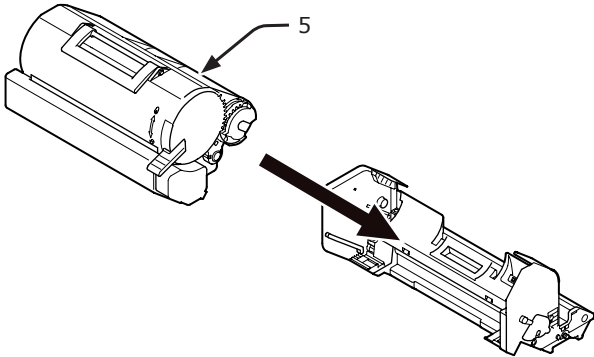


⚠ <b>WARNING</b>	<b>Possible to get burned.</b>	⚠
<ul style="list-style-type: none"> <li>• Do not throw a used image drum and toner cartridge in the fire. They may explode, and the toner inside may fly off and cause getting burned.</li> </ul>		

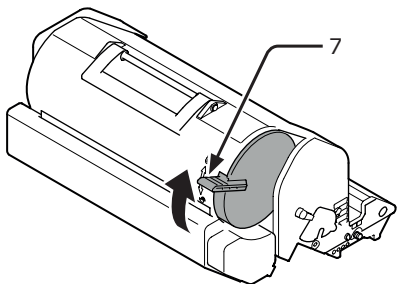
**7** Insert the toner cartridge (5) into the image drum in the direction of the arrow.

**! Note**

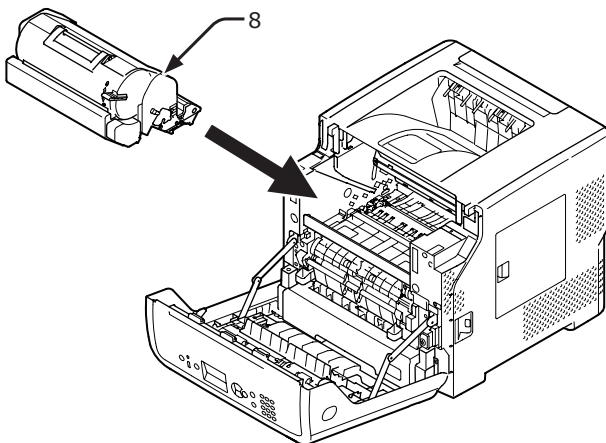
- Never load the toner cartridge with its tape adhered.



**8** Turn the blue lever (7) of the toner cartridge fully in the direction of the arrow.



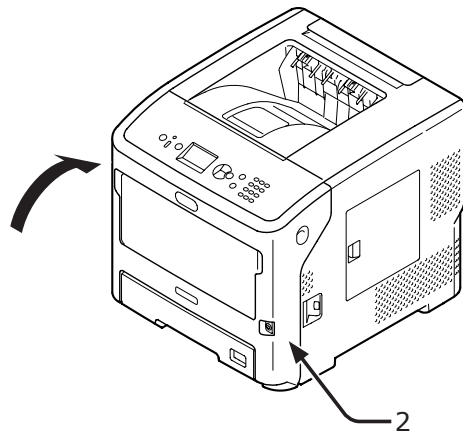
**9** Place a new image drum (8) into the printer.



**10** Close the front cover (2).

**! Note**

- The front cover cannot be closed completely if the top cover is not closed.



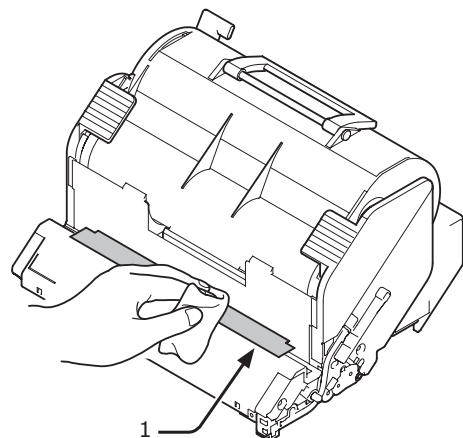
**11** Please recycle used toner cartridges and image drums.

**Memo**

- If you must dispose of toner cartridges and image drums, put them in a plastic bag or similar container and dispose of them in accordance with your municipality's ordinances or guidelines.

□ If the light-shielding film of the image drum becomes dirty, wipe it by following the procedures below.

- (1) Open the front cover.
- (2) Remove the image drum.
- (3) Wipe the light-shielding film (1) with soft tissue paper.



- (4) Put the image drum back to the printer.
- (5) Close the front cover.

# ● Replacing the Fuser Unit and Transfer Roller

## Life Span of a Fuser Unit and a Transfer Roller

When the [**Fuser Unit Near Life**] message is displayed on the display screen of the operator panel, prepare a new fuser unit and a transfer roller. You can keep printing approximately 3,000 sheets until the next message is displayed.

When [**Fuser Unit Life**] is displayed, replace the fuser unit and transfer roller.

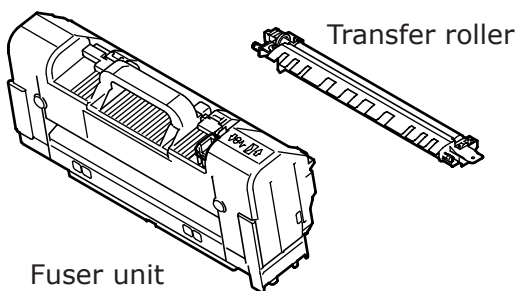
The life expectancy of the fuser unit and transfer roller is up to 200,000 sheets for A4 simplex printing.

**! Note**

- The actual number of sheets you can print with the fuser unit and transfer roller depends on how you use the printer.
- Though opening and closing the top cover may extend the life of the fuser unit and transfer roller somewhat, you should replace it soon after [**Fuser Unit Life**] is displayed to prevent malfunction.
- If you replace the fuser unit and transfer roller, use them until the end of their usable lives. If you remove the fuser unit and/or transfer roller before their usable lives have expired and install and use for another printer, their usable lives will not be correctly displayed.
- When [**Near Life Status**] (to be accessed by pressing the ▼ button then selecting [**Admin Setup**] then [**Panel Setup**]) is set to [**Disable**], the [**Fuser Unit Near Life**] message does not appear.

### ■ Maintenance Kit

The Maintenance Kit is composed of the fuser unit and the transfer roller.

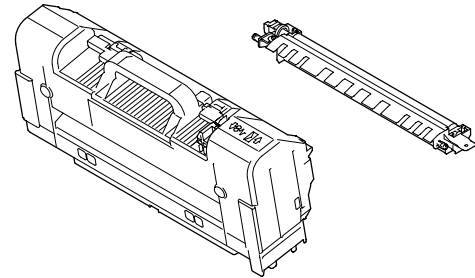


## Replacement Procedure

**! Note**

- Do not expose the image drum to direct sunlight or very bright interior light (approximately more than 1,500 lux). Even under the normal interior light, do not leave it for more than 5 minutes.

- 1 Prepare a new fuser unit and a transfer roller.



- 2 Turn off your printer by pressing the power switch.

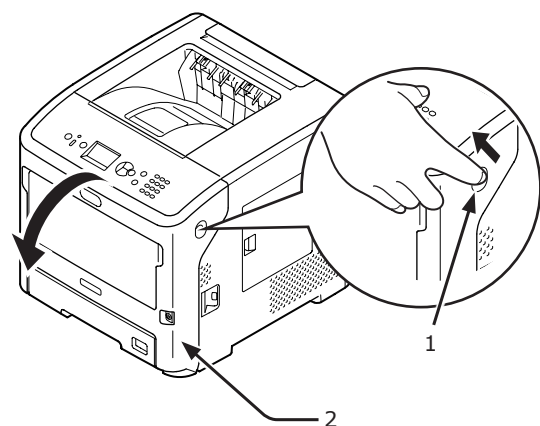
**Reference**

- "Turning On/Off the Power" P.28

- 3 Insert your finger into the recess on the right side of the printer and pull the front cover open lever (1) to open the front cover (2) forward.

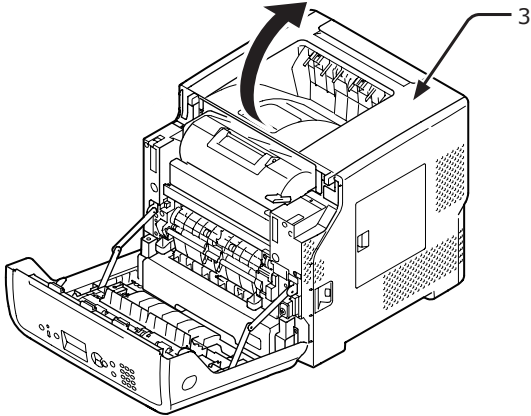
**! Note**

- Open the front cover gently. If you open it rapidly, the MP Tray may open.



4 Open the top cover (3).

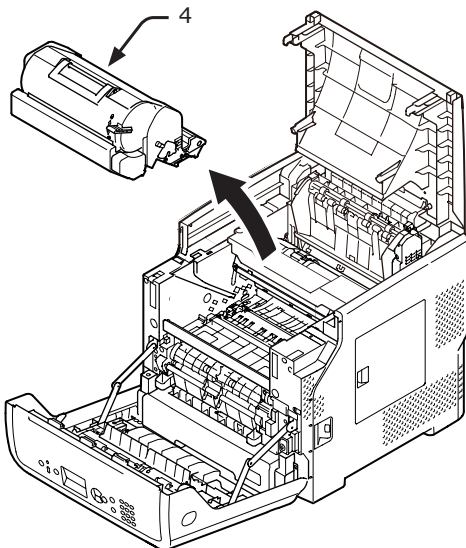
⚠ CAUTION	<b>Possible to get burned.</b>	⚠
<ul style="list-style-type: none"> <li>Since the fuser unit gets hot, carry out the operation carefully, and when lifting it up you must hold it by the handle. Do not try to hold it whilst it is hot. Wait until it has cooled down and then carry out the operation.</li> </ul>		



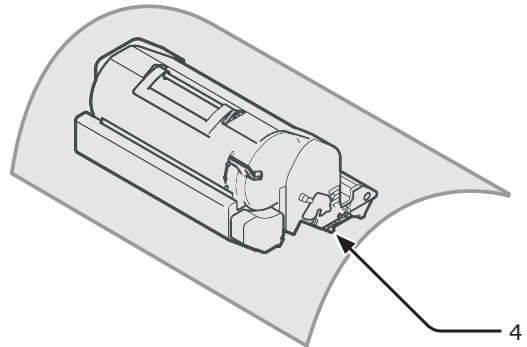
5 Remove the print cartridge (4) and place it on a flat surface.

**Note**

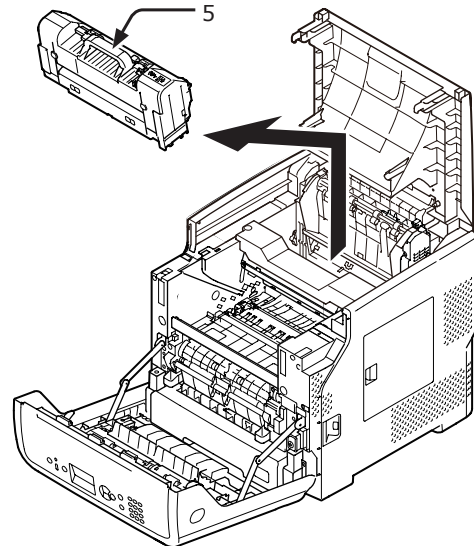
- The image drum (the green tube) of the print cartridge is very delicate. Handle it carefully.
- Do not expose the print cartridge to direct sunlight or very bright interior light (approximately more than 1,500 lux). Even under the normal interior light, do not leave it for more than 5 minutes.



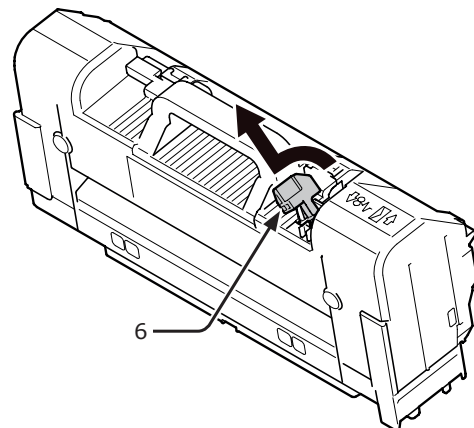
6 Cover the removed print cartridge (4) with paper so that it will not be exposed to light.



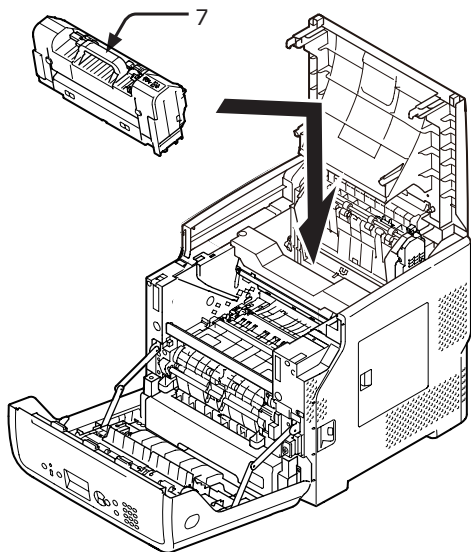
7 Hold the handle (5) of the fuser unit and lift the fuser unit out of the printer.



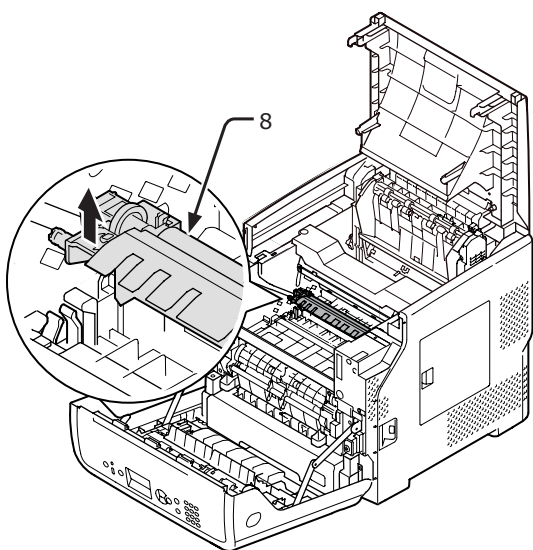
8 Pull out the orange stopper (6) from the new fuser unit.



- 9** Hold the handle (7) of a new fuser unit and place the fuser unit into its original position.



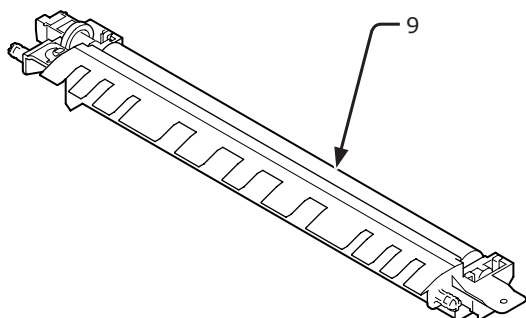
- 10** Remove the transfer roller (8), by lifting its part on the left that is indicated by the arrow.



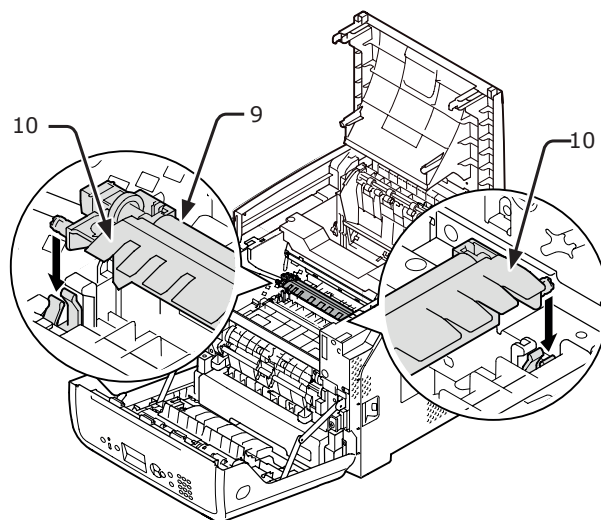
- 11** Take out the new transfer roller (9) from its bag.

**! Note**

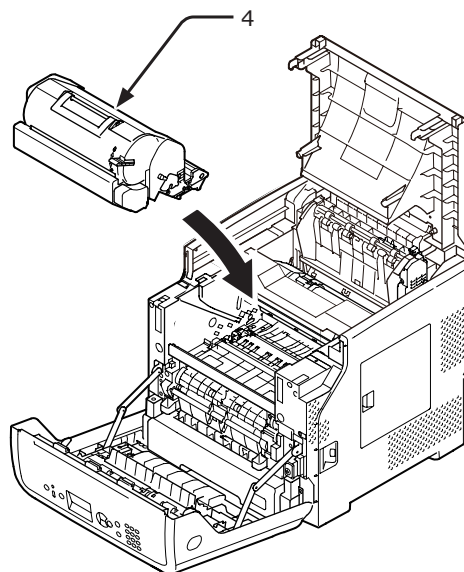
- Never touch the sponge on the transfer roller.



- 12** Hold the plastic parts (10) of the transfer roller (9), with the gear positioned on the left, and push down the posts on the right and left.



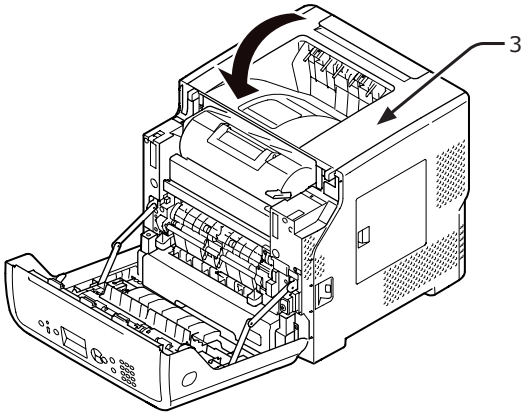
- 13** Return the print cartridge (4) into the printer.



## 14 Close the top cover (3).

 Memo

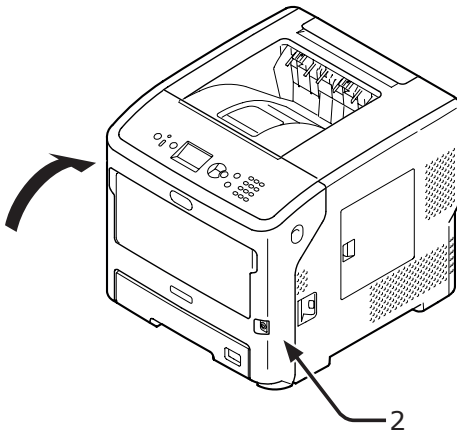
- You can close the top cover smoothly if you close the front cover halfway.  
Be careful not to let the front cover return to its open position.



## 15 Close the front cover (2).

 Note

- The front cover cannot be closed completely if the top cover is not closed.



## ● Cleaning

This section explains how to clean each part of your printer.

### Cleaning the Surface of the Printer

**! Note**

- Do not use benzine, thinners, or alcohol as a cleaning agent. They may damage the plastic parts of the printer.
- Do not lubricate your printer with oil.

**1** Turn off your printer by pressing the power switch.

**Reference**

- "Turning On/Off the Power" P.28

**2** Wipe the surface of the printer with a soft cloth lightly moistened with water or neutral detergent.

**3** Dry the surface of the printer with a dry soft cloth.

### Cleaning LED Heads

Clean the LED heads if vertical lines appear, images are fading vertically, or the periphery of letters is smudged in the printouts. Dirt on the LED heads may also cause paper jams.

**! Note**

- Do not use methyl alcohol or thinners as a cleaning agent. They may damage the LED heads.
- Do not expose the image drum to direct sunlight or very bright interior light (approximately more than 1,500 lux). Even under the normal interior light, do not leave it for more than 5 minutes.

**1** Turn off your printer by pressing the power switch.

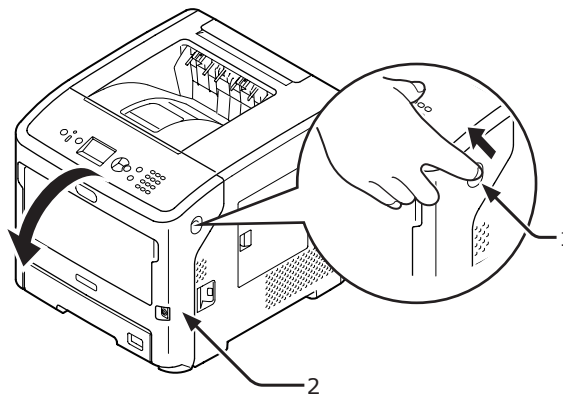
**Reference**

- "Turning On/Off the Power" P.28

**2** Insert your finger into the recess on the right side of the printer and pull the front cover open lever (1) to open the front cover (2) forward.

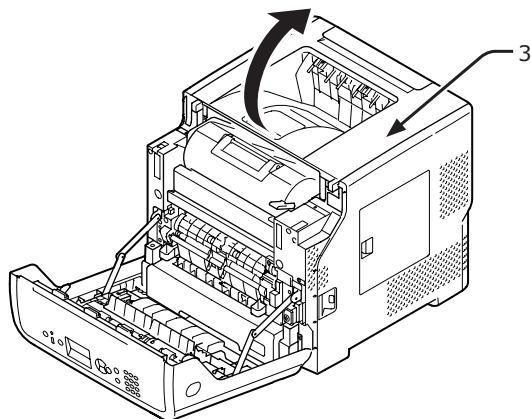
**! Note**

- Open the front cover gently. If you open it rapidly, the MP Tray may open.



### 3 Open the top cover (3).

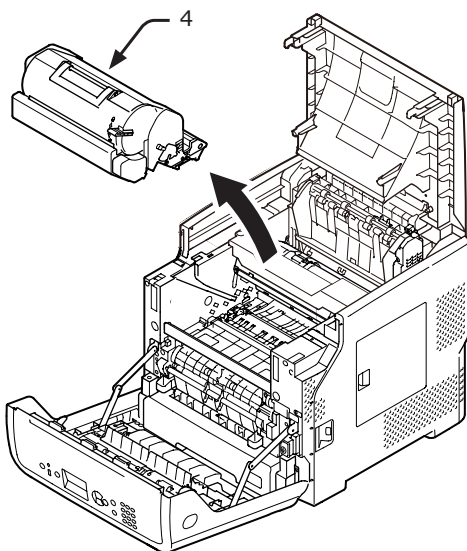
⚠ CAUTION	<b>Possible to get burned.</b>	⚠
<ul style="list-style-type: none"> <li>Since the fuser unit gets hot, carry out the operation carefully, and when lifting it up you must hold it by the handle. Do not try to hold it whilst it is hot. Wait until it has cooled down and then carry out the operation.</li> </ul>		



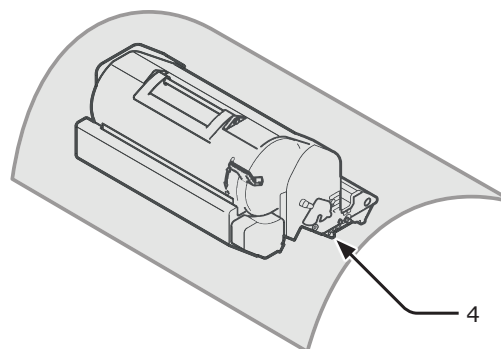
### 4 Remove the print cartridge (4) and place it on a flat surface.

**! Note**

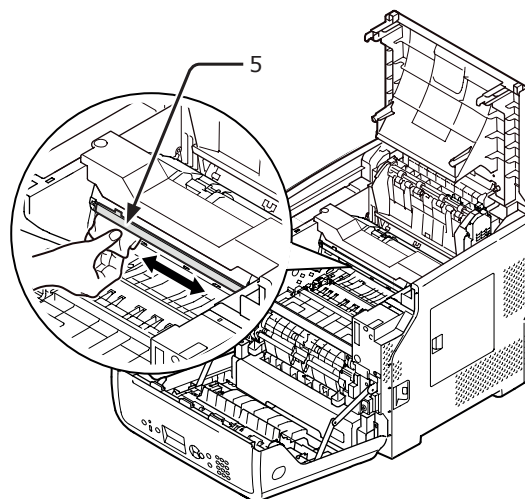
- The image drum (the green tube) of the print cartridge is very delicate. Handle it carefully.
- Do not expose the print cartridge to direct sunlight or very bright interior light (approximately more than 1,500 lux). Even under the normal interior light, do not leave it for more than 5 minutes.



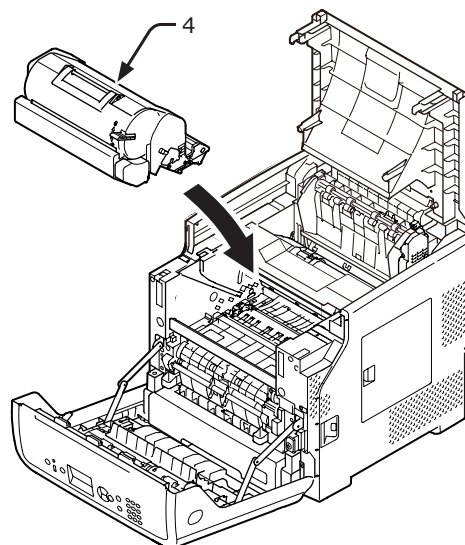
### 5 Cover the removed print cartridge (4) with paper so that it will not be exposed to light.



### 6 Lightly wipe the lenses (5) of the LED heads with soft tissue paper.



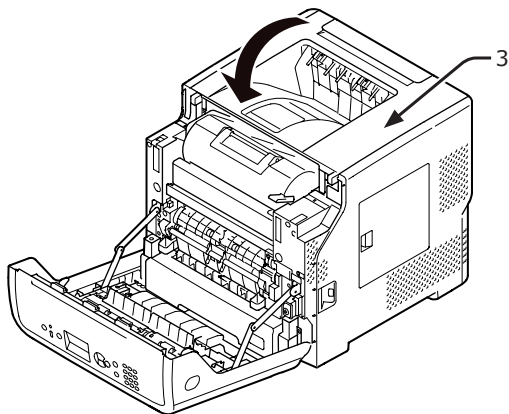
### 7 Return the print cartridge (4) into the printer.



### 8 Close the top cover (3).

**Memo**

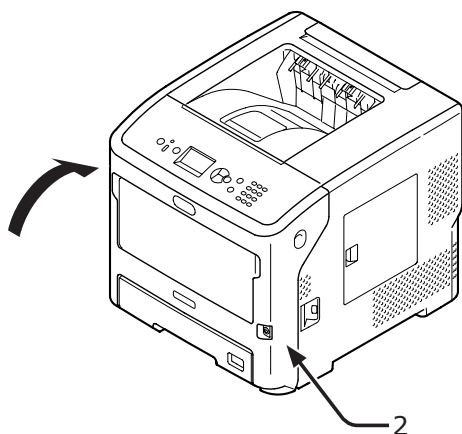
- You can close the top cover smoothly if you close the front cover halfway. Be careful not to let the front cover return to its open position.



### 9 Close the front cover (2).

**Note**

- The front cover cannot be closed if the top cover is not closed securely.



## Cleaning Paper Feed Rollers

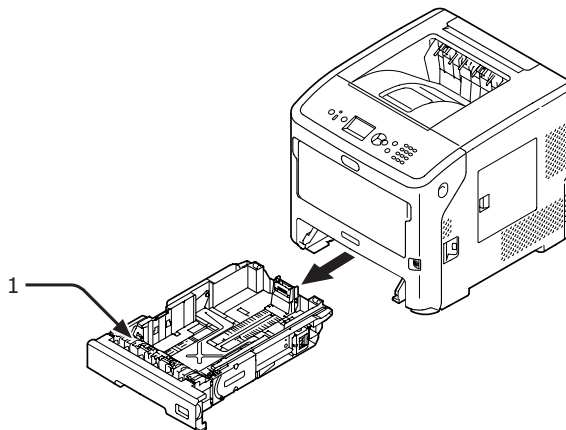
If paper jams occur frequently, clean the paper feed rollers.

### Trays 1/2/3/4/LCF

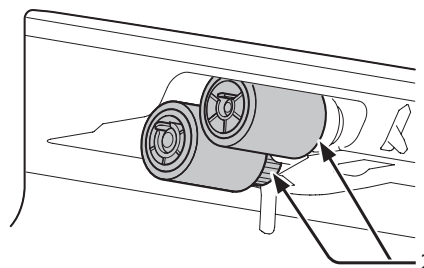
**Memo**

- This procedure images use tray 1 as an example, but the same procedure applies to tray 2/3/4.

#### 1 Pull out the paper tray (1).

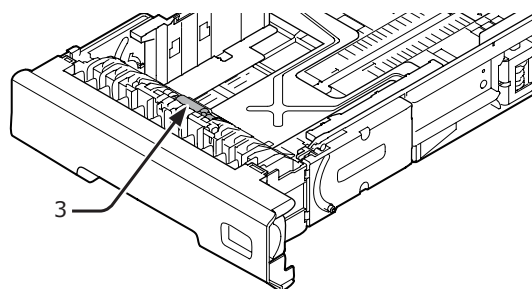


#### 2 Wipe the two paper feed rollers (2) inside the printer with a wet cloth that has been wrung out well.



#### 3 Remove paper loaded in the tray.

#### 4 Wipe the paper feed roller (3) on the tray with a wet cloth that has been wrung out well.

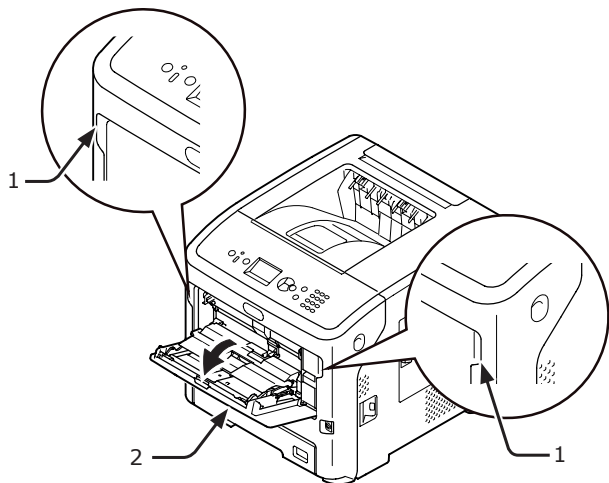


#### 5 Load paper in the tray.

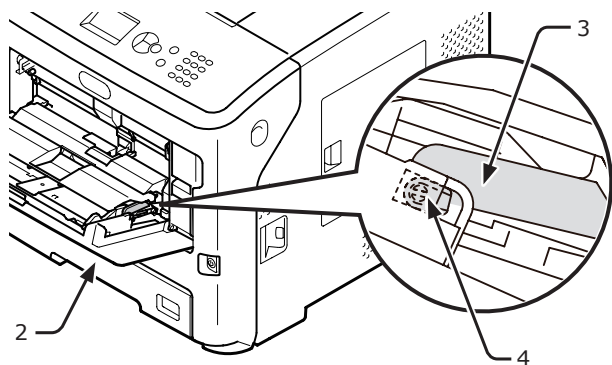
#### 6 Push the tray back into the printer.

## For MP Tray

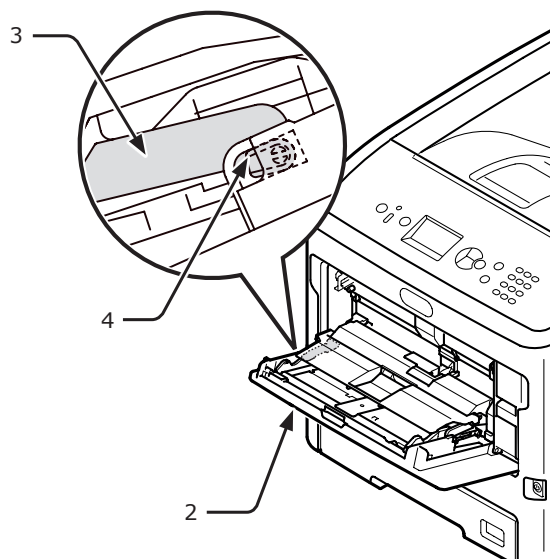
- 1 Open the MP Tray (2) forward by inserting your fingers into the front recesses (1).



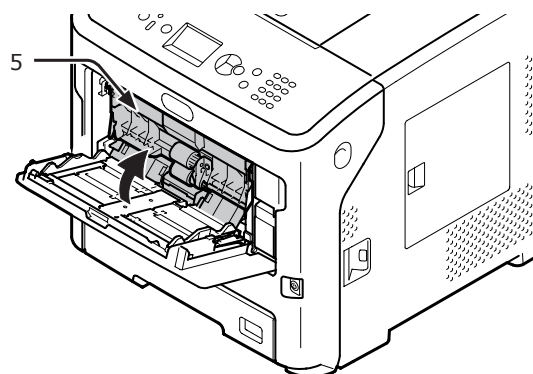
- 2 Release the tab (4) of the paper feed roller cover by pressing the right arm (3) inward while lifting up the MP Tray (2) lightly.



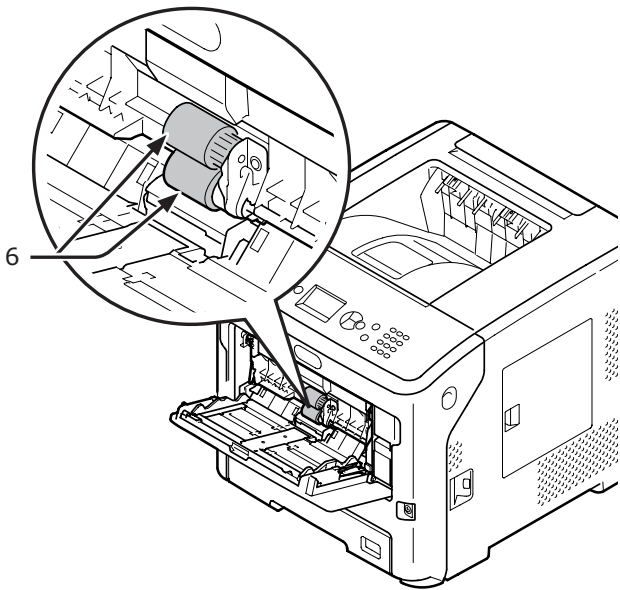
- 3 Also press the left arm (3) inward while lifting up the MP Tray (2) lightly to release the tab (4) of the paper feed roller cover.



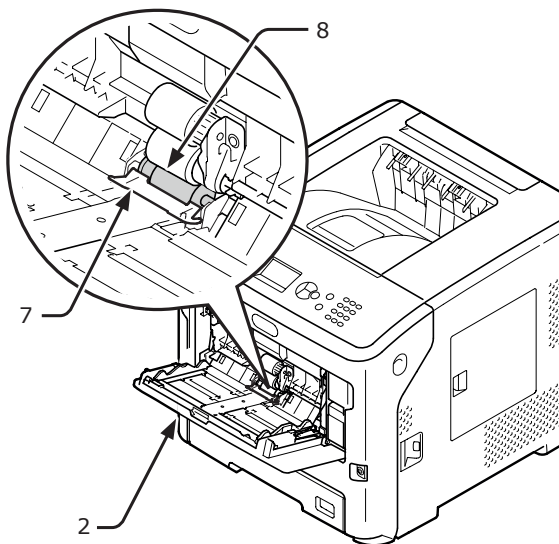
- 4 Open the paper set cover (5) until it touches the printer.



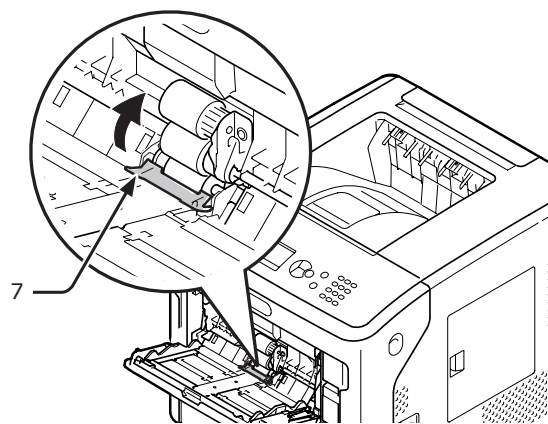
- 5** Wipe the two paper feed rollers (6) with a wet cloth that has been wrung out well.



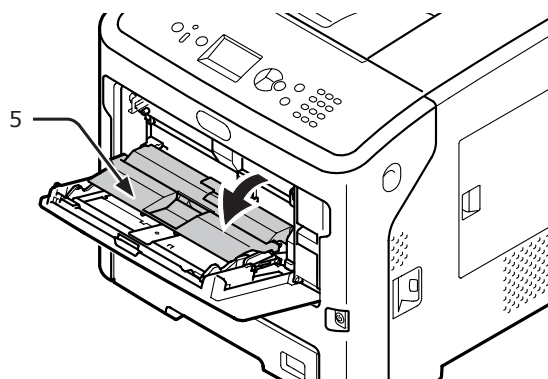
- 6** Open the separation roller cover (7) forward while pressing the center part of the MP Tray (2). Wipe the separation roller (8) with a wet cloth that has been wrung out well.



- 7** Close the separation roller cover (7).



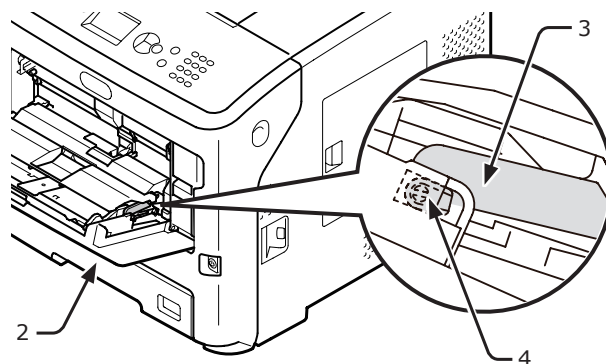
- 8** Lower the paper set cover (5).



- 9** Hook one tab (4) of the paper feed roller cover by pressing the right arm (3) inward while lifting up the MP Tray (2) lightly.

**! Note**

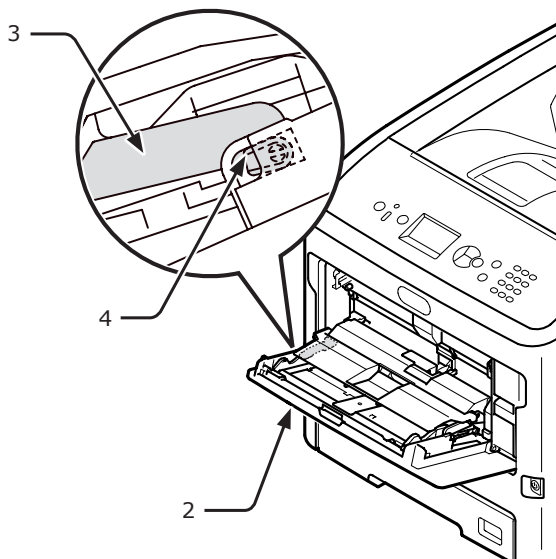
- If closing the MP Tray without returning the tab to the correct position, the paper set cover may be broken. Be sure to return the tab to its original position.



- 10** Also hook the other tab (4) of the paper feed roller cover by pressing the left arm (3) inward while lifting up the MP Tray (2) lightly.

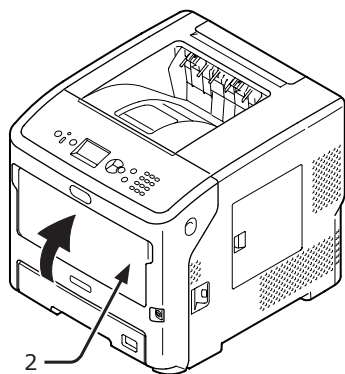
**! Note**

- If closing the MP Tray without returning the tab to the correct position, the paper set cover may be broken. Be sure to return the tab to its original position.



- 11** Close the MP Tray (2).

If the MP Tray cannot be closed, return the paper set cover to the correct position by pressing the paper loading part on the MP Tray downward.



# ● Moving or Transporting Your Printer

This section explains how to move or transport your printer.

## Moving Your Printer

⚠ CAUTION	<b>It may cause injury!</b>	⚠
<ul style="list-style-type: none"> <li>At least two people are needed to lift the printer safely because it weighs about 27 Kg.</li> </ul>		

**1** Turn off your printer by pressing the power switch.

Reference

- "Turning On/Off the Power" P.28

**2** Unplug all the cables.

**3** Remove any paper from the paper trays.

**4** Lift your printer and move it to a new location.

## Transporting Your Printer

⚠ CAUTION	<b>It may cause injury!</b>	⚠
<ul style="list-style-type: none"> <li>At least two people are needed to lift the printer safely because it weighs about 27 Kg.</li> </ul>		

⚠ CAUTION	<b>Possible to get burned.</b>	⚠
<ul style="list-style-type: none"> <li>The fuser unit is extremely hot. Do not touch it.</li> </ul>		

**Note**

- The image drum (the green tube) is very delicate. Handle it carefully.
- Do not expose the image drum to direct sunlight or very bright interior light (approximately more than 1,500 lux). Even under the normal interior light, do not leave it for more than 5 minutes.

**1** Turn off your printer by pressing the power switch.

Reference

- "Turning On/Off the Power" P.28

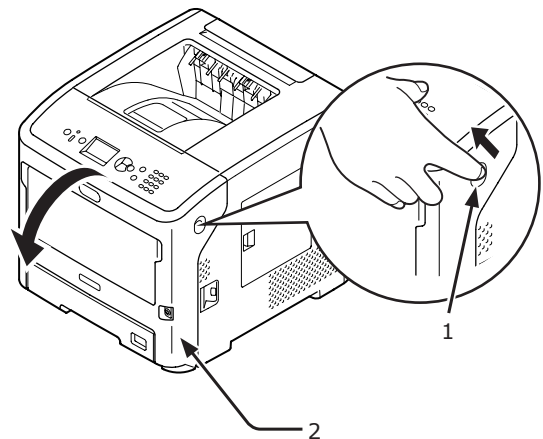
**2** Unplug all the cables.

**3** Remove any paper from the paper trays.

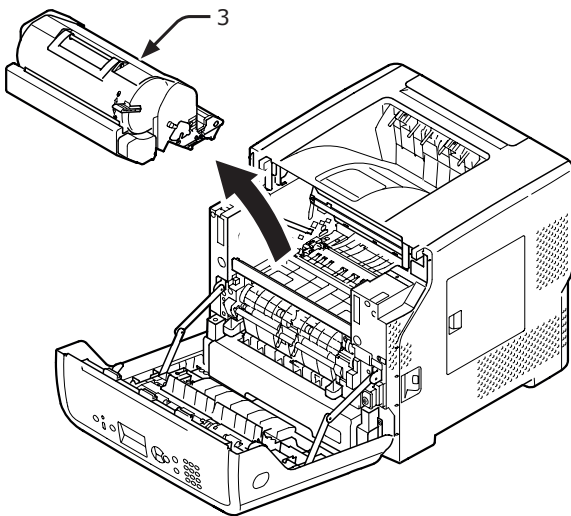
**4** Insert your finger into the recess on the right side of the printer and pull the front cover open lever (1) to open the front cover (2) forward.

**Note**

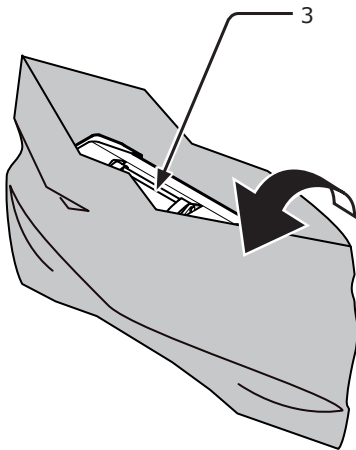
- Open the front cover gently. If you open it rapidly, the MP Tray may open.



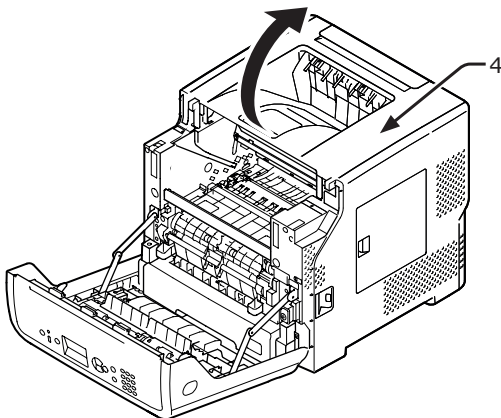
- 5** Remove the print cartridge (3) and place them on a flat surface.



- 6** Put the print cartridge (3) into a black bag and tie the bag closed.

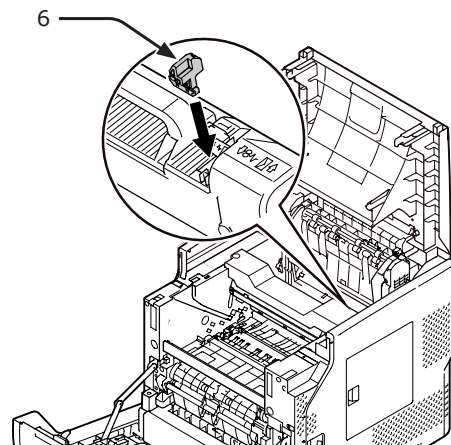
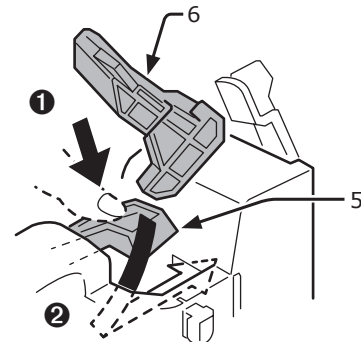


- 7** Open the top cover (4).

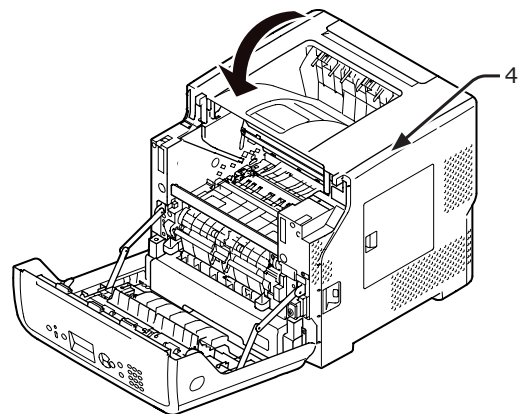


- 8** Attach the stopper to the fuser unit.

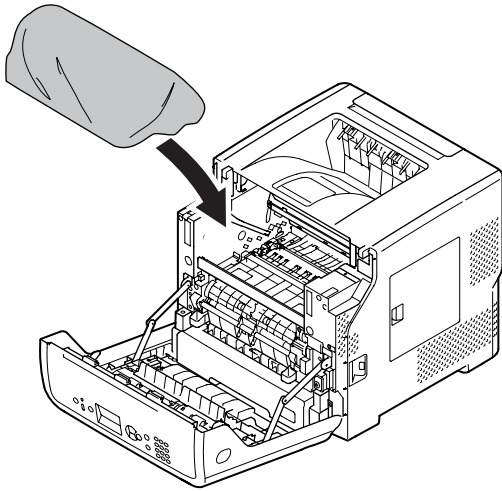
Attach the orange stopper (6) in the direction of the arrow **2** while pressing the blue lever (5) of the fuser unit down in the direction of the arrow **1**.



- 9** Close the top cover (4).



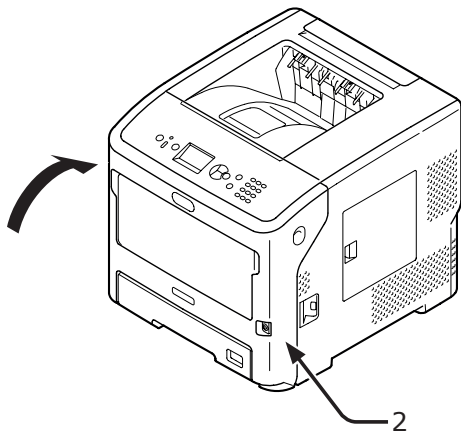
**10** Return the bagged image drum and print cartridge into the printer.



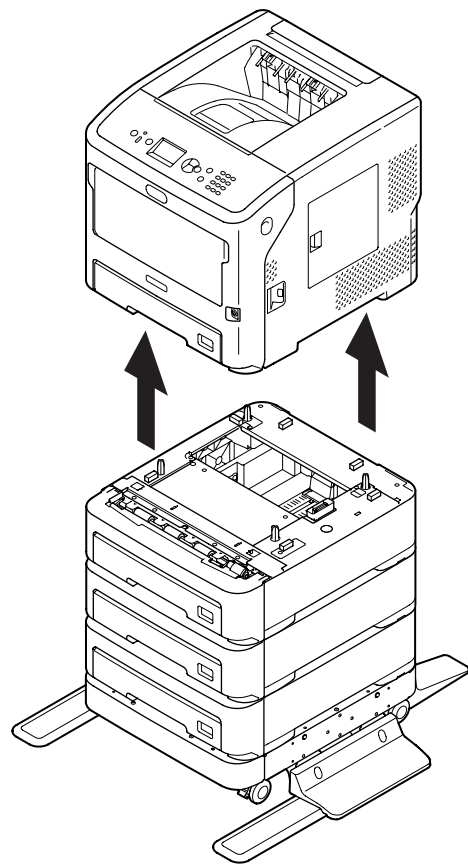
**11** Close the front cover (2).

**! Note**

- The front cover cannot be closed if the top cover is not closed securely.



**12** Remove the optional additional tray unit(s) from the main unit if it is installed.



**13** Protect your printer with packing materials.

**14** Lift your printer and put it in a box.

**! Note**

- Use the packing materials attached to your printer when purchased.
- When you set up the printer again after transporting it, be sure to take out the image drum and the print cartridge from the bag then install them.

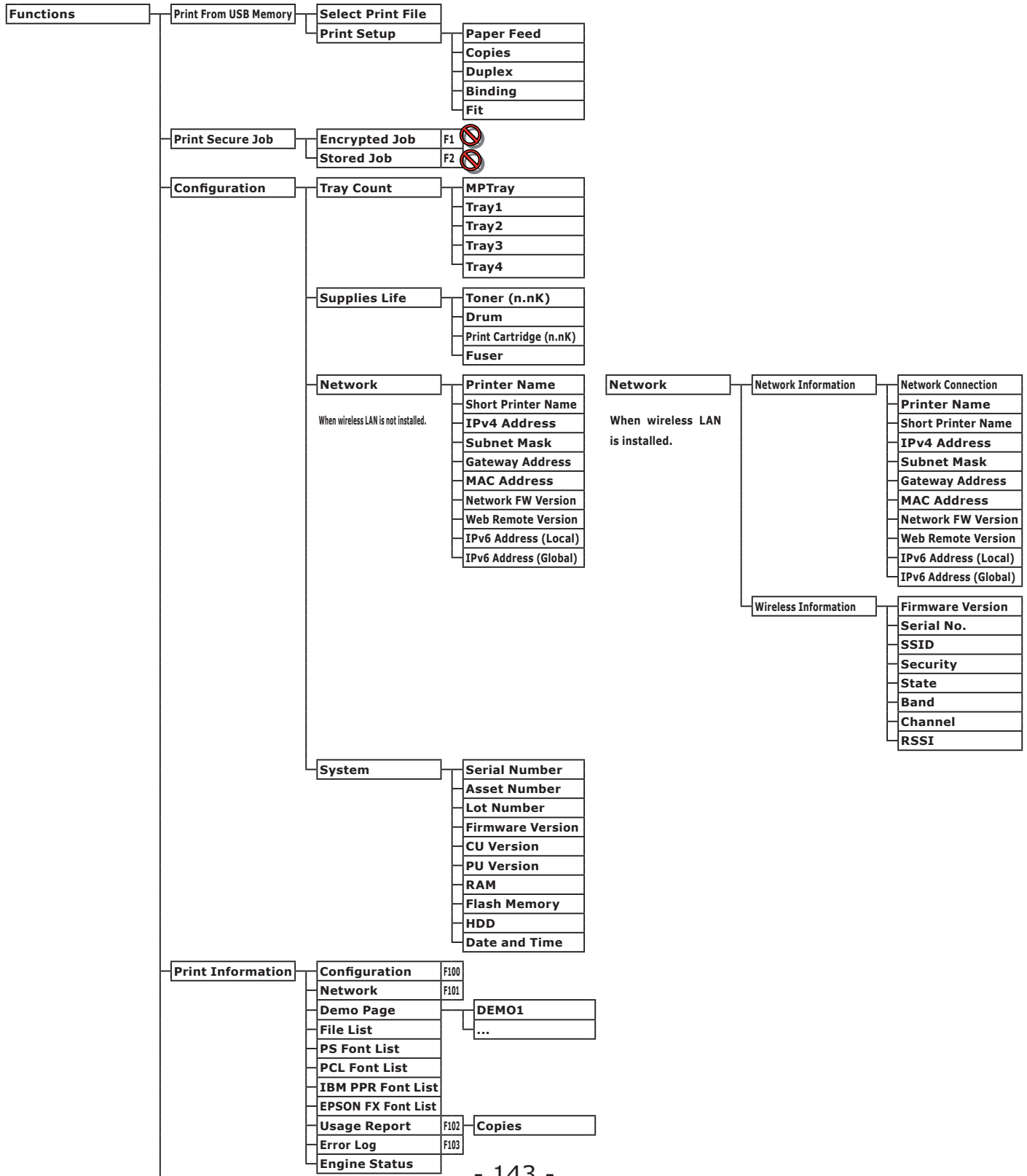
# Appendix

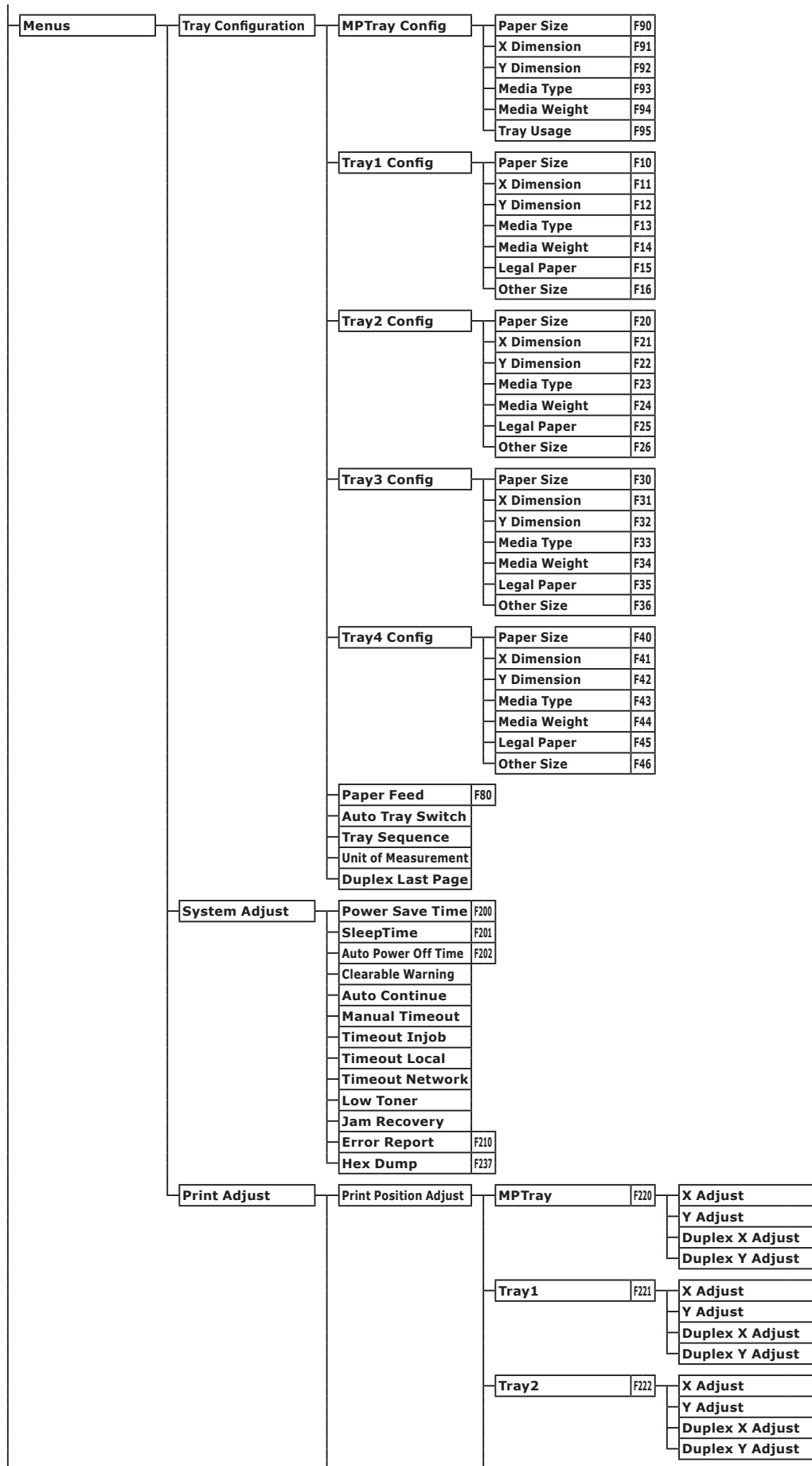
This chapter explains the specifications of your printer

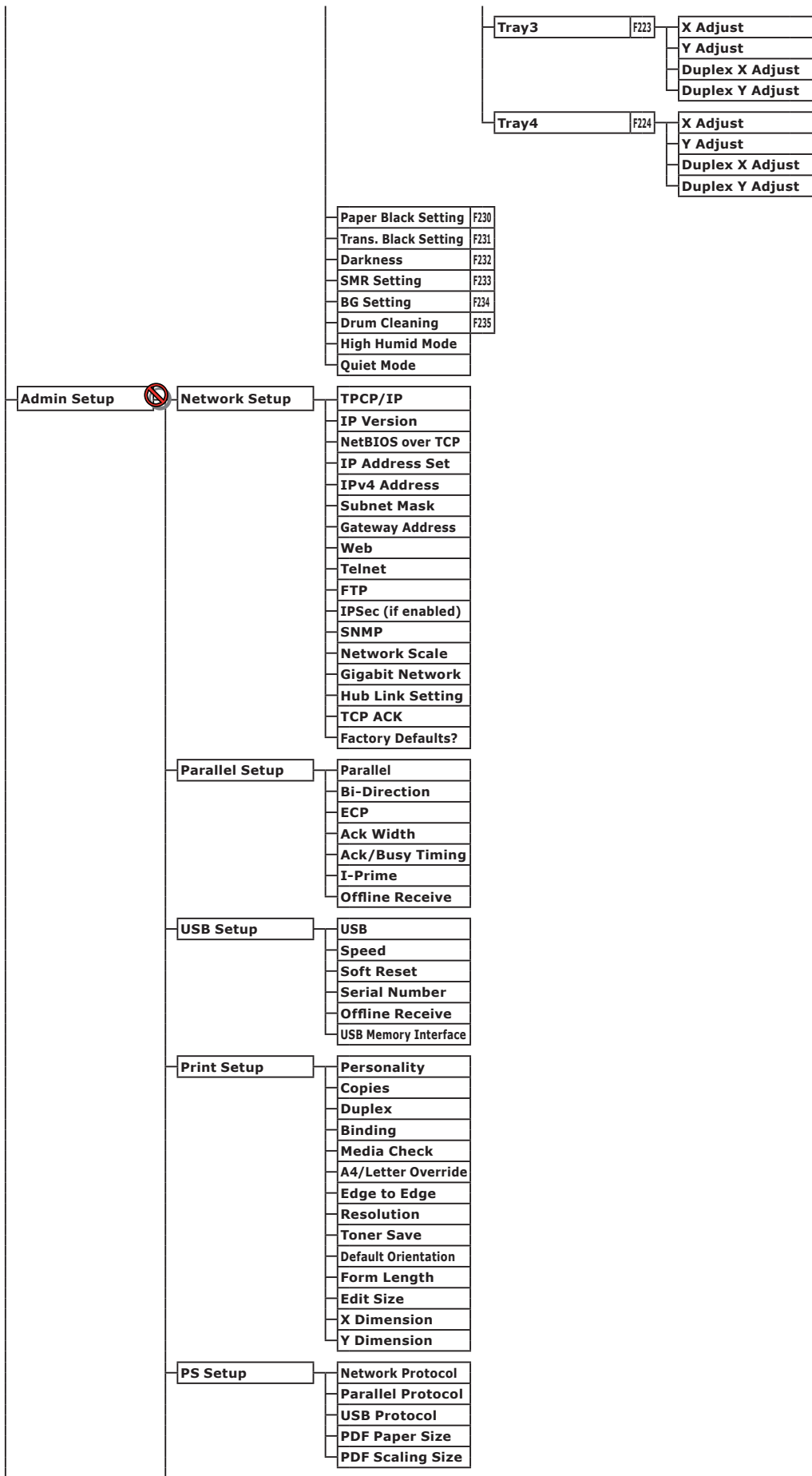
## Menu List

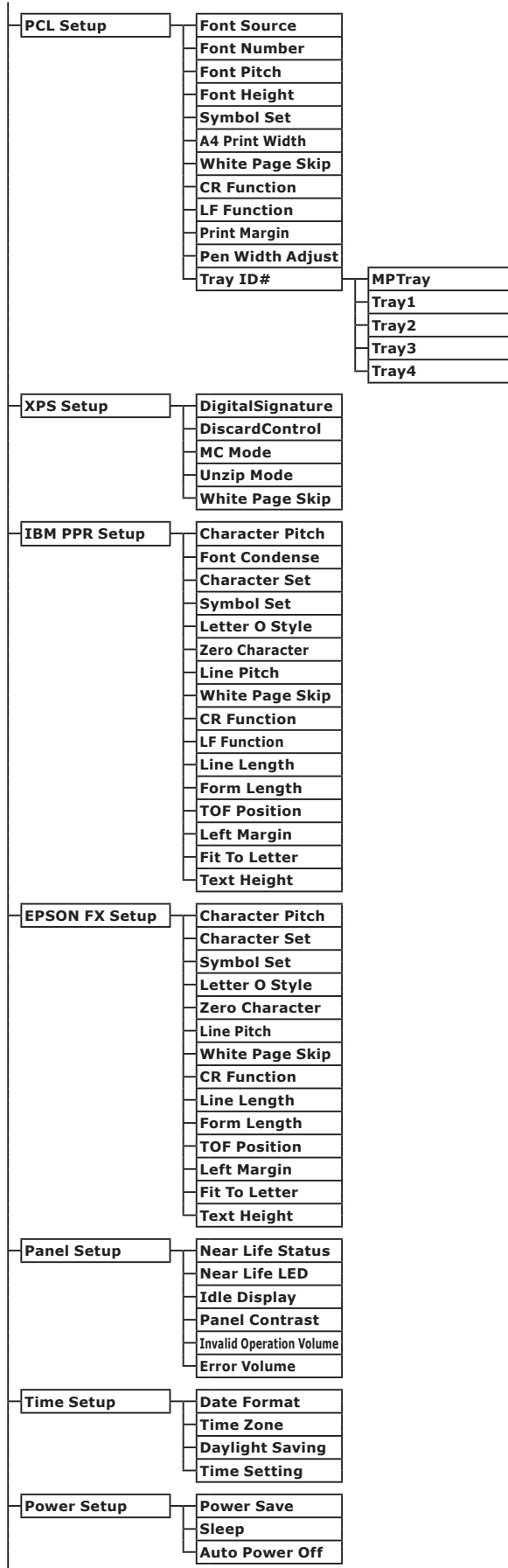
The function number is described on the right of each item.

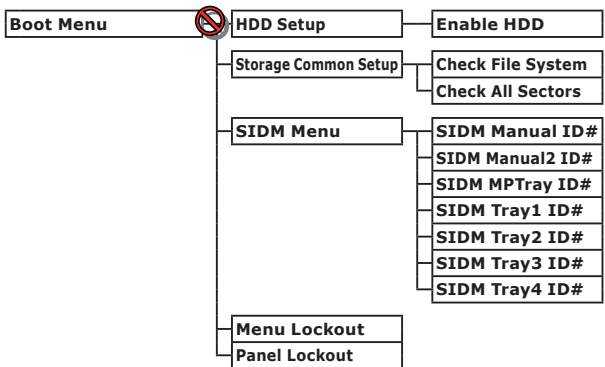
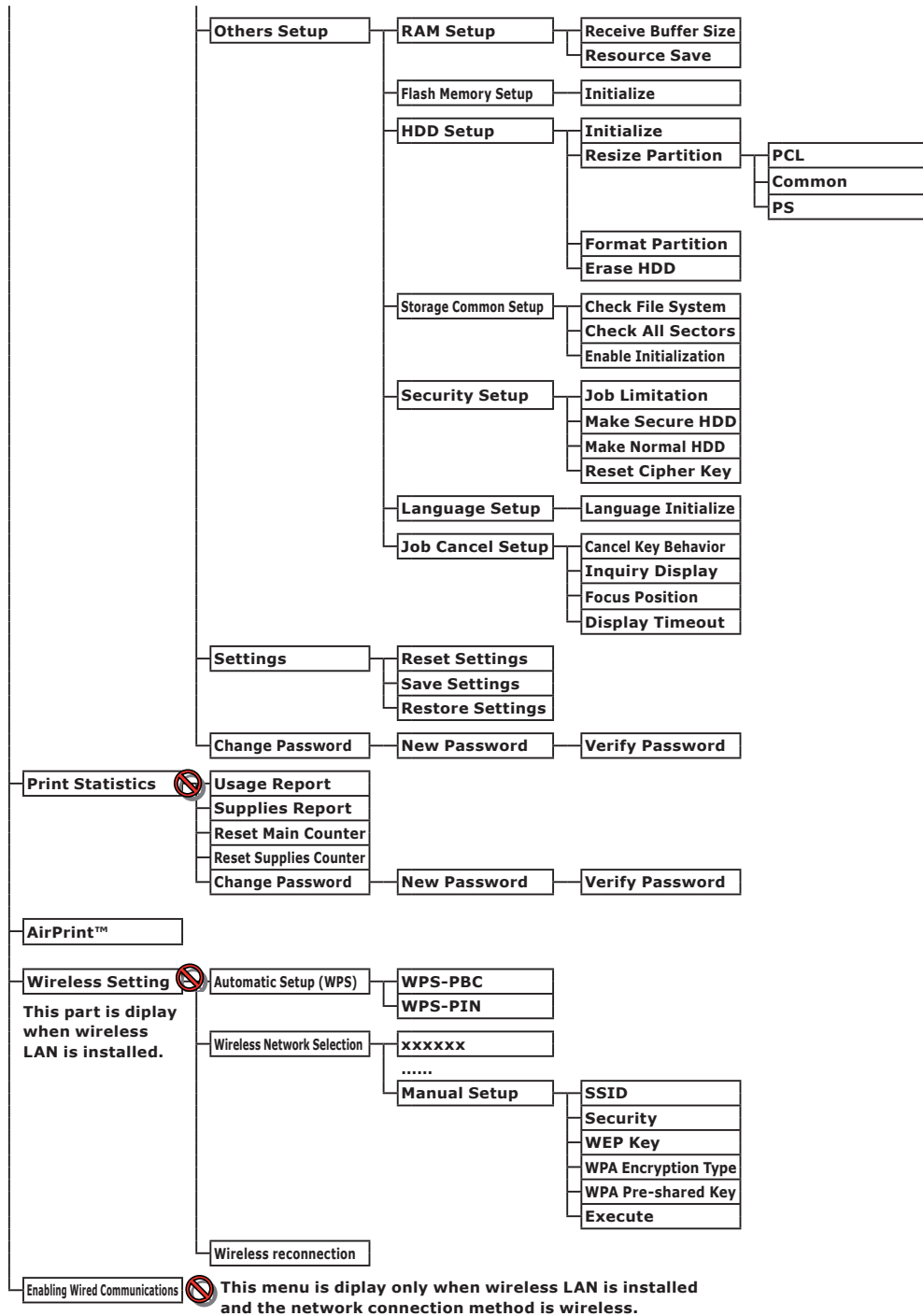
: You must input a password.











## ● Basic Steps in Windows

These are the steps for displaying the printer driver setting window from [**Printer**] / [**Printers and Faxes**] folder in Windows OS used for examples in this manual other than Windows 7.



- The steps for Windows Server 2008 R2 are the same as for Windows 7.
- For Windows 8 and Windows Server 2012, follow the procedures below to display the device and printer. Select [**Desktop**], [**Charm**](displayed by moving the mouse cursor to the top-right corner of the screen or by clicking the right of the screen), [**Setup**], [**Control Panel**], and [**View devices and printers**]. The steps from the device and printer are the same as for Windows 7.
- If you have multiple printer drivers installed, the icons for each driver are displayed in the [**Printer**] / [**Printers and Faxes**] folder. Please follow the below steps using the drivers you want to set/check. Please follow the below steps using the printer drivers you want to set/check.

### Displays the Property Screen

#### ■ For Windows Vista/Windows Server 2008

- 1 Click [**Start**], and select [**Control Panel**] > [**Printer**].
- 2 Right-click on the printer icon, and select [**Properties**].

#### ■ For Windows XP/Windows Server 2003

- 1 Click [**Start**], and select [**Printers and Faxes**].
- 2 Right-click on the printer icon, and select [**Properties**].

### Displays the Printer Setting Screen

#### ■ For Windows Vista/Windows Server 2008

- 1 Click [**Start**], and select [**Control Panel**] > [**Printer**].
- 2 Right-click on the printer icon, and select [**Printing preferences**].

#### ■ For Windows XP/Windows Server 2003

- 1 Click [**Start**], and select [**Printers and Faxes**].
- 2 Right-click on the printer icon, and select [**Printing preferences**].

## ● Specifications

Model	Model Number
B721, B731, ES7131, MPS5501b	N22300A, N22300B
B721, B731, ES7131, MPS5501b	N22301A, N22301B

### ■ General Specifications

		B721	B731/ES7131/MPS5501b
CPU		PPC464FP	
Memory	Resident	256 MB	
	Option	512 MB	
Flash RAM		NAND : 64 MB NOR : 2 MB Serial NOR : 512 KB	
Storage Device		Hard disk ● Optional 160 GB	
Weight		B721/B731 : 26.6 Kg (including consumables) ES7131/MPS5501b : 27.2 Kg (including consumables)	
Dimensions		435(W) x 498(D) x 410(H) mm	
Power supply		N22300A, N22301A : 110 - 127 V AC ±10% N22300B, N22301B : 220 - 240 V AC ±10%	
Power consumption	Typical operation	800 W	850 W
	Idle	95 W	
	Peak	1400 W	
	Sleep mode	N22300A/B : 1.5 W N22301A/B : 3.9 W	
	Power save mode	N22300A/B : 20 W N22301A/B : 22 W	
	Off mode	N22300A, N22301A : less than 0.4 W N22300B, N22301B : less than 0.45 W	
Interface		USB 2.0 (Hi-Speed), Ethernet 10BASE-T/100BASE-TX/1000BASE-T, IEEE802.11 b/g/n Wireless LAN (Wireless Model (N22301A/B) only), IEEE1284 (Parallel installed Model only)	
Display		Graphics panel 60(W) x 32.6(H) mm, 128 x 64 dots	
Supported OS		<ul style="list-style-type: none"> <li>Windows 8, Windows 7, Windows Vista, Windows Server 2012, Windows Server 2008 R2, Windows Server 2008, Windows XP, Windows Server 2003</li> <li>Mac OS X 10.4-10.8</li> </ul>	

## ■ Printing Specifications

		B721	B731/ES7131/MPS5501b
Printing method		Dry electrophotographic recording method with LED (Light-emitting diode)	
Emulation language		PCL5e, PCLXL, PostScript3, PDF (ISO3200-1: 2008, Extension Level8), XPS, SIDM (IBM-PPR, EPSON-FX)	
Resident fonts		PCL: 87 european fonts PS: 136 european fonts	
Resolution		1200 x 1200 dpi, 600 x 600 dpi	
Color		Black	
Print speed (A4)		Simplex: A4: 47 ppm, Letter: 49 ppm	Simplex: A4: 52 ppm, Letter: 55 ppm
Paper size	Tray 1	Legal 13/13.5/14, letter, executive, statement, A4, A5, B5, custom size, 16K (197 x 273 mm, 195 x 270 mm, 184 x 260 mm), envelope (Com-9, Com-10)	
	Tray 2/3/4 (Option)	Legal 13/13.5/14, letter, executive, statement, A4, A5, B5, custom size, 16K (197 x 273 mm, 195 x 270 mm, 184 x 260 mm), envelope (Com-10)	
	MP Tray	Legal 13/13.5/14, letter, executive, statement, A4, A5, B5, B6, C5, C6, DL, Monarch, index card (3 x 5 inch), custom size, 16K (197 x 273 mm, 195 x 270 mm, 184 x 260 mm), photo size (4 x 6 inch/5 x 7 inch), banner up to 52 inch,	
	Duplex Printing	Legal 13/13.5/14, letter, executive, statement, A4, B5, 16K (197 x 273 mm, 195 x 270 mm, 184 x 260 mm), custom size (148 - 216 mm (W) x 210 - 356 mm (L))	
	Custom size	<ul style="list-style-type: none"> <li>● Tray 1, Tray 2/3/4 (option) 148 - 216 mm (W), 210 - 356 mm (L) (5.8 - 8.5 inches (W), 8.3 - 14.0 inches (L))</li> <li>● MP Tray 76.2 - 216 mm (W), 127 - 1321 mm (L) (3.0 - 8.5 inches (W), 5 - 52 inches (L))</li> </ul>	
Media type		Plain paper (64 g/m <sup>2</sup> - 253 g/m <sup>2</sup> ), envelopes, label.	
Feeding method		Automatic feeding from the tray 1, MP Tray and additional tray unit (optional), Manual feeding from MP Tray	
Paper loading capacity		<ul style="list-style-type: none"> <li>● Tray 1 530 sheets of Standard paper /80 g/m<sup>2</sup>, total thickness 53 mm or lower.</li> <li>● MP Tray 100 sheets of Standard paper /80 g/m<sup>2</sup> and total thickness 10 mm or lower, 20 envelopes/ weight of 85 g/m<sup>2</sup>.</li> <li>● Additional tray unit (optional) 530 sheets of Standard paper /80 g/m<sup>2</sup>, total thickness 53 mm or lower.</li> </ul>	
Output method		Face up/Face down	
Paper output capacity		<ul style="list-style-type: none"> <li>● Face up 100 sheets (80 g/m<sup>2</sup>), 20 sheets (envelopes)</li> <li>● Face down 500 sheets (80 g/m<sup>2</sup>)</li> </ul>	
Print guaranteed area		6.35 mm or more from the paper edge (not applicable to special media such as envelopes)	
Print precision		Print beginning:± 2 mm, paper skew:± 1 mm/100 mm, image expansion:± 1 mm/100 mm (80 g/m <sup>2</sup> )	
Warm-up time		<ul style="list-style-type: none"> <li>● From power on 25 seconds (at room temperature 25°C, input voltage 120VAC (N22300A) / 230VAC (N22300B)) 60 seconds (at room temperature 25°C, input voltage 120VAC (N22301A) / 230VAC (N22301B))</li> <li>● From power save mode 19 seconds (at room temperature 25°C, input voltage 120VAC (N22300A, N22301A) / 230VAC (N22300B, N22301B))</li> </ul>	
Operating environment		<ul style="list-style-type: none"> <li>● When in operation 10 - 32°C / Relative Humidity of 20 - 80% (maximum wet bulb temperature of 25°C, maximum dry bulb temperature of 2°C)</li> <li>● When not in operation 0 - 43°C / Relative Humidity of 10 - 90% (maximum wet bulb temperature of 26.8°C, maximum dry bulb temperature of 2°C)</li> </ul>	

	<b>B721</b>	<b>B731/ES7131/MPS5501b</b>
Conditions for the guarantee of print quality	<ul style="list-style-type: none"> <li>Operating Range</li> </ul> Temperature 10°C, humidity 20 to 80% RH Temperature 32°C, humidity 20 to 60% RH Humidity 20% RH, temperature 10 to 32°C Humidity 80% RH, temperature 10 to 27°C	

## ■ Network Specifications

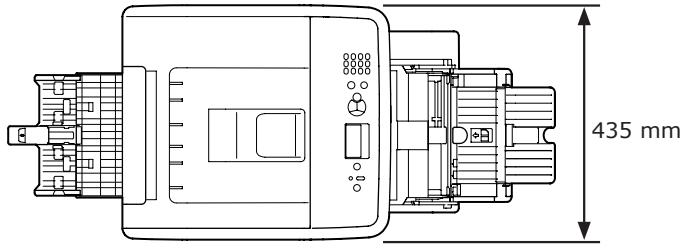
	<b>B721</b>	<b>B731/ES7131/MPS5501b</b>
Interface	Ethernet 10BASE-T/100BASE-TX/1000 BASE-T, IEEE 802.11 b/g/n Wireless LAN (Wireless Model (N22301A/B) only)	
Protocol	TCP/IPv4, TCP/IPv6, SMTP, HTTP, SNMPv1/v3, DHCP, DNS, LPR, Port9100, BOOTP, ARP, FTP, Bonjour (Rendezvous), Web Services Discovery (WSD)	
Supported browsers	Microsoft IE 6.0 or later, Safari 3 or later, Firefox 3.0 or later	

## ■ Wireless LAN Specifications (Wireless LAN Model N22301A/B only)

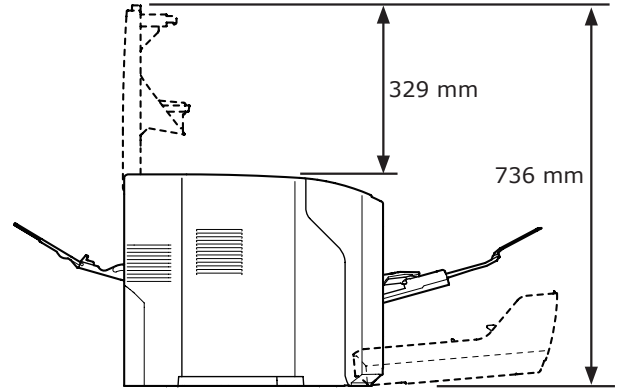
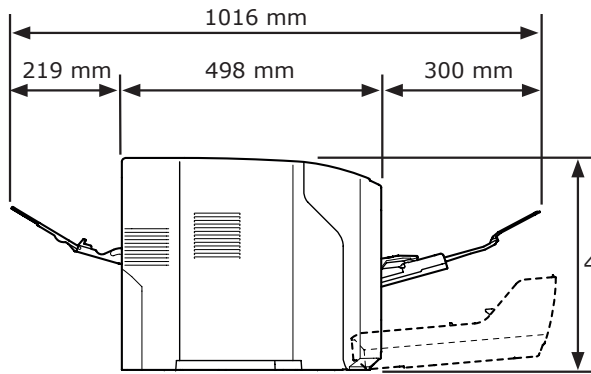
	<b>B721</b>	<b>B731/ES7131/MPS5501b</b>
Wireless LAN adapter	OkiLAN520w	
Wireless LAN standard	IEEE 802.11 b/g/n conformity (2.4 GHz)	
Transfer rate	IEEE 802.11n: Max 150 Mbps IEEE 802.11g: Max 54 Mbps IEEE 802.11b: Max 11 Mbps	
Antenna system	Built-in Antenna 1T1R	
LAN protocol	TCP/IP (IPv6/IPv4)	
Security	WEP(128/64bit), WPA, WPA2, IEEE802.1x wireless securities.	

## ■ Printer Dimensions

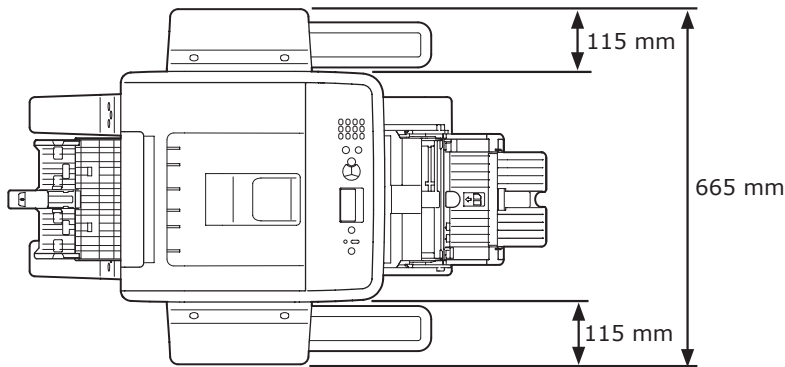
TOP VIEW



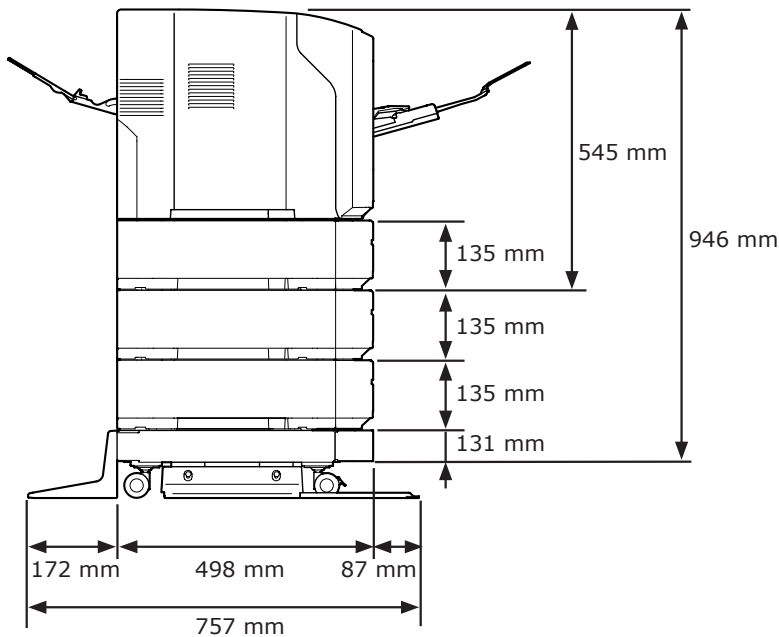
SIDE VIEW



OPTION-INSTALLED TOP VIEW



OPTION-INSTALLED SIDE VIEW



# Index

---

## A

---

Access Cover ..... 11  
AC Power Socket ..... 11  
Additional RAM ..... 18, 23  
Additional Tray ..... 18, 22  
ATTENTION Indicator .... 13, 104  
Auto Power Off Function ..... 30

## B

---

BACK Button ..... 13  
Buzzer ..... 50

## C

---

Cancel ..... 82  
CANCEL Button ..... 13  
Cannot Print ..... 47, 108  
Cleaning ..... 134  
CLEAR Key ..... 13  
Custom Size ..... 35

## D

---

Dimension ..... 152  
Display Screen ..... 13  
Duplex Printing ..... 81  
Duplex Unit ..... 11

## E

---

ENTER Button ..... 13  
Envelope ..... 37  
Error Code ..... 84, 97, 102  
Error Message ..... 84, 104

## F

---

Facedown Stacke ..... 37  
Faceup Stacker ..... 11, 37  
Feed Rollers ..... 136  
Fn Key ..... 13, 14  
Front Cover ..... 11  
Front Cover Oopen Lever ..... 11  
Fuser Unit ..... 11, 130

## H

---

Hard Disk ..... 18, 26  
HELP Button ..... 13

## I

---

Image Drum ..... 124  
Image Quality ..... 114  
Install  
    Printer Driver (Mac OS X)  
        ..... 74  
    Printer Driver (Windows)  
        ..... 68  
IP Address ..... 68

## L

---

Label ..... 38  
LED Head ..... 134  
Light-shielding Film ..... 129

## M

---

Mac OS X ..... 76, 78  
Maintenance ..... 121  
Message ..... 84  
MP Tray ..... 32

## N

---

Network Connection  
    Problem ..... 109  
Network Interface ..... 12

## O

---

ON LINE Button ..... 13  
Operator Panel ..... 11, 13  
Options ..... 18  
Other Error Messages ..... 104

## P

---

Paper ..... 38  
    Paper Size ..... 38, 40, 102  
Paper Guide ..... 31  
Paper Jam ..... 84  
Paper Size Error ..... 102  
Paper Stopper ..... 31  
Paper Support ..... 33, 37  
Paper Tray ..... 80  
Paper Weight ..... 38, 40  
Parallel Interface ..... 11  
Placement Environment ..... 15  
Placement Space ..... 15  
POWER SAVE Button ..... 13  
Power Save Mode ..... 29, 44  
Power Supply Conditions ..... 28  
Power Switch ..... 11  
Print Cartridge ..... 10, 11  
Printer Driver ..... 46, 54, 68,  
    74, 111  
Printer Stand ..... 18  
Printing ..... 28  
Product Requirements ..... 54, 56

## R

---

READY Indicator ..... 13  
Rear Cover ..... 11  
Rear Guide ..... 11  
Release Lever ..... 92

---

## **S**

---

Scroll <▲/▼> button .....	13
Sleep Mode.....	29, 45
Sub Support .....	33, 37

---

## **T**

---

Ten-key Pad.....	13
Toner Cartridges.....	126
Top Cover .....	11
Tray 1 .....	11
Tray 2/3/4 .....	18
Troubleshooting.....	84
Turning On/Off the Power .....	28

---

## **U**

---

USB Interface Connection .....	12
--------------------------------	----

---

## **W**

---

Windows .....	148
---------------	-----

# Oki contact details

## **Oki Systems (UK) Ltd**

Blays House  
Wick Road  
Egham  
Surrey  
TW20 0HJ

Tel: +44 (0) 1784 274300  
Fax: +44 (0) 1784 274301  
<http://www.oki.co.uk>

## **Oki Systems Ireland Limited**

The Square Industrial Complex  
Tallaght  
Dublin 24

Tel:+353 (0) 1 4049590  
Fax:+353 (0)1 4049591  
<http://www.oki.ie>

## **Oki Systems Ireland Limited - Northern Ireland**

19 Ferndale Avenue  
Glengormley  
BT36 5AL  
Northern Ireland

Tel:+44 (0) 7767 271447  
Fax:+44 (0) 1 404 9520  
<http://www.oki.ie>

Technical Support for all Ireland:  
Tel:+353 1 4049570  
Fax:+353 1 4049555  
E-mail: [tech.support@oki.ie](mailto:tech.support@oki.ie)

## **Oki Systems (Czech and Slovak), s.r.o.**

IBC – Pobřežní 3  
186 00 Praha 8  
Czech Republic

Tel: +420 224 890158  
Fax:+420 22 232 6621  
Website: [www.oki.cz](http://www.oki.cz), [www.oki.sk](http://www.oki.sk)

## **Oki Systems (Deutschland) GmbH**

Hansaallee 187  
40549 Düsseldorf

Tel: 01805/6544357\*\*  
01805/OKIHELP\*\*  
Fax: +49 (0) 211 59 33 45  
Website:  
[www.okiprintingsolutions.de](http://www.okiprintingsolutions.de)  
[info@oki.de](mailto:info@oki.de)

\*\*0,14€/Minute aus dem dt.  
Festnetz der T-Com (Stand  
11.2008)

## **Διανομέας των συστημάτων OKI**

CPI S.A1 Rafailidou str.  
177 78 Tavros  
Athens  
Greece

Tel: +30 210 48 05 800  
Fax:+30 210 48 05 801  
EMail:[sales@cpigr](mailto:sales@cpigr)

## **Oki Systèmes (France) S.A.**

44-50 Av. du Général de Gaulle  
94246 L'Hay les Roses  
Paris

Tel:+33 01 46 15 80 00  
Télécopie:+33 01 46 15 80 60  
Website: [www.oki.fr](http://www.oki.fr)

## **OKI Systems (Magyarország) Kft.**

Capital Square  
Tower 2  
7th Floor  
H-1133 Budapest,  
Váci út 76  
Hungary

Telefon: +36 1 814 8000  
Telefax: +36 1 814 8009  
Website: [www.okihu.hu](http://www.okihu.hu)

## **OKI Systems (Italia) S.p.A.**

via Milano, 11,  
20084 Lacchiarella (MI)

Tel:+39 (0) 2 900261  
Fax:+39 (0) 2 90026344  
Website: [www.oki.it](http://www.oki.it)

## **OKI Printing Solutions**

Platinum Business Park II, 3rd  
Floor  
ul. Domaniewska 42  
02-672 Warsaw  
Poland

Tel:+48 22 448 65 00  
Fax:+48 22 448 65 01  
Website: [www.oki.com.pl](http://www.oki.com.pl)  
E-mail: [oki@oki.com.pl](mailto:oki@oki.com.pl)  
Hotline: 0800 120066  
E-mail: [tech@oki.com.pl](mailto:tech@oki.com.pl)

## **Oki Systems (Ibérica) S.A.**

Sucursal Portugal  
Edifício Prime -  
Av. Quinta Grande 53  
7º C Alfragide  
2614-521 Amadora  
Portugal

Tel:+351 21 470 4200  
Fax:+351 21 470 4201  
Website:[www.oki.pt](http://www.oki.pt)  
E-mail : [oki@oki.pt](mailto:oki@oki.pt)

## **Oki Service Serviço de apoio técnico ao Cliente**

Tel: 808 200 197  
E-mail : [okiserv@oki.pt](mailto:okiserv@oki.pt)

## **OKI Europe Ltd. (Russia)**

Office 702, Bldg 1  
Zagorodnoye shosse  
117152, Moscow

Tel: +74 095 258 6065  
Fax: +74 095 258 6070  
e-mail: [info@oki.ru](mailto:info@oki.ru)  
Website: [www.oki.ru](http://www.oki.ru)

Technical support:  
Tel: +7 495 564 8421  
e-mail: [tech@oki.ru](mailto:tech@oki.ru)

## **Oki Systems (Österreich)**

Campus 21  
Businesszentrum Wien Sued  
Liebermannstrasse A02 603  
22345 Brun am Gebirge

Tel: +43 223 6677 110  
Drucker Support:  
+43 (0) 2236 677110-501  
Fax Support:  
+43 (0) 2236 677110-502  
Website: [www.oki.at](http://www.oki.at)

## **OKI Europe Ltd. (Ukraine)**

Raisy Opkinoy Street,8  
Building B, 2<sup>nd</sup> Floor,  
Kiev 02002  
Ukraine

Tel: +380 44 537 5288  
e-mail: [info@oki.ua](mailto:info@oki.ua)  
Website: [www.oki.ua](http://www.oki.ua)

## **OKI Sistem ve Yazıcı Çözümleri Tic. Ltd. Şti.**

Harman sok Duran Is Merkezi,  
No:4, Kat:6,  
34394, Levent  
İstanbul

Tel: +90 212 279 2393  
Faks: +90 212 279 2366  
Web: [www.oki.com.tr](http://www.oki.com.tr)  
[www.okiprintingsolutions.com.tr](http://www.okiprintingsolutions.com.tr)

## **Oki Systems (Belgium)**

Medialaan 24  
1800 Vilvoorde  
Helpdesk: 02-2574620  
Fax: 02 2531848  
Website: [www.oki.be](http://www.oki.be)

## **AlphaLink Bulgaria Ltd.**

2 Kukush Str.  
Building "Antim Tower", fl. 6  
1463 Sofia, Bulgaria

tel: +359 2 821 1160  
fax: +359 2 821 1193  
Website: <http://bulgaria.oki.com>

**OKI Printing Solutions**

Herstedøstervej 27  
2620 Albertslund  
Danmark

Adm.: +45 43 66 65 00  
Hotline: +45 43 66 65 40  
Salg: +45 43 66 65 30  
Fax: +45 43 66 65 90  
Website: www.oki.dk

**OKI Systems (Finland) Oy**

Polaris Capella  
Vänrikinkuja 3  
02600 Espoo

Tel: +358 (0) 207 900 800  
Fax: +358 (0) 207 900 809  
Website: www.oki.fi

**OKI Systems (Holland) b.v.**

Neptunustraat 27-29  
2132 JA Hoofddorp

Helpdesk: 0800 5667654  
Tel: +31 (0) 23 55 63 740  
Fax: +31 (0) 23 55 63 750  
Website: www.oki.nl

**OKI Systems (Norway) AS**

Tevlingveien 23  
N-1081 Oslo

Tel: +47 (0) 63 89 36 00  
Telefax: +47 (0) 63 89 36 01  
Ordrefax: +47 (0) 63 89 36 02  
Website: www.oki.no

**General Systems S.R.L. (Romania)**

Sos. Bucuresti-Ploiesti Nr. 135.  
Bucharest 1  
Romania

Tel: +40 21 303 3138  
Fax: +40 21303 3150  
Website: http://romania.oki.com

Var vänlig kontakta din  
Återförsäljare i första hand, för  
konsultation. I andra hand kontakta

**OKI Systems (Sweden) AB**

Borgafjordsgatan 7  
Box 1191  
164 26 Kista

Tel. +46 (0) 8 634 37 00  
e-mail:

info@oki.se för allmänna frågor om  
OKI produkter

support@oki.se för teknisk support  
gällandes OKI produkter

Vardagar: 08.30 - 12.00,  
13.00 - 16.00  
Website: www.oki.se

**OKI Systems (Schweiz)**

Baslerstrasse 15  
CH-4310 Rheinfelden

Support deutsch +41 61 827 94 81  
Support français +41 61 827 94 82  
Support italiano +41 061 827 9473  
Tel: +41 61 827 9494  
Website: www.oki.ch

**OKI Data Americas Inc. (United States • États-Unis)**

2000 Bishops Gate Blvd.  
Mt. Laurel, NJ 08054  
USA

Tel: 1-800-654-3282  
Fax: 1-856-222-5247  
http://WWW.OKIPRINTINGSOLUTIONS.COM  
http://my.okidata.com

**OKI Data Americas Inc. (Canada • Canadá)**

4140B Sladeview Crescent Unit 7 & 8  
Mississauga, Ontario  
Canada L5L 6A1

Tél: 1-905-608-5000  
Télé: 1-905-608-5040  
http://WWW.OKIPRINTINGSOLUTIONS.COM

**OKI Data Americas Inc. (América Latina (OTRO))**

2000 Bishops Gate Blvd.  
Mt. Laurel, NJ 08054  
USA

Tel (Español): 1-856-222-7496  
1-856-222-5276  
Fax: 1-856-222-5260  
Email: LASatisfaction@okidata.com

**OKI Data de Mexico, S.A. de C.V.**

Mariano Escobedo #748, Piso 8  
Col. Nueva Anzures  
C.P. 11590, México, D.F.

Tel: 52-555-263-8780  
Fax: 52-555-250-3501  
http://WWW.OKIPRINTINGSOLUTIONS.COM

**OKI Data do Brasil, Ltda.**

Rua Alexandre Dumas, 2220-80  
andar Chácara Santo Antonio  
04717-004, São Paulo, SP Brasil

Tel: 55-11-3444-6747 (Grande São Paulo)  
0800-11-5577 (Demais localidades)  
Fax: 5511-3444-3501  
e-mail: okidata@okidata.com.br  
http://WWW.OKIPRINTINGSOLUTIONS.COM

**OKI Data (Singapore) Pte. Ltd.**

438A Alexandra Road #02-11/12,  
Lobby 3, Alexandra Technopark  
Singapore(119967)

Tel:(65) 6221 3722  
Fax:(65) 6594 0609  
http://www.okidata.com.sg

**OKI Systems (Thailand) Ltd.**

1168/81-82 Lumpini Tower,  
27th Floor Rama IV Road  
Tungmahamek, Sathorn  
Bangkok 10120

Tel:(662) 679 9235  
Fax:(662) 679 9243/245  
http://www.okisysthai.com

**OKI Data (Australia) Pty Ltd.**

Level1 67 Epping Road, Macquarie  
Park  
NSW 2113, Australia

Tel: +61 2 8071 0000  
(Support Tel: 1800 807 472)  
Fax: +61 2 8071 0010  
http://www.oki.com.au

**Comworth Systems Ltd.**

8 Antares Place Rosedale,  
Auckland 0632, New Zealand

Tel:(64) 9 477 0500  
Fax:(64) 9 477 0549  
http://www.comworth.co.nz

**OKI Data(S) P Ltd. Malaysia Rep**

Office  
Suite 21.03, 21st Floor Menara IGB,  
Mid Valley City,  
Lingkaran Syed Pura 59200,  
Kuala Lumpur, Malaysia

Tel: (60) 3 2287 1177  
Fax: (60) 3 2287 1166



**Oki Data Corporation**

4-11-22 Shibaura, Minato-ku, Tokyo  
108-8551, Japan

[www.okiprintingsolutions.com](http://www.okiprintingsolutions.com)